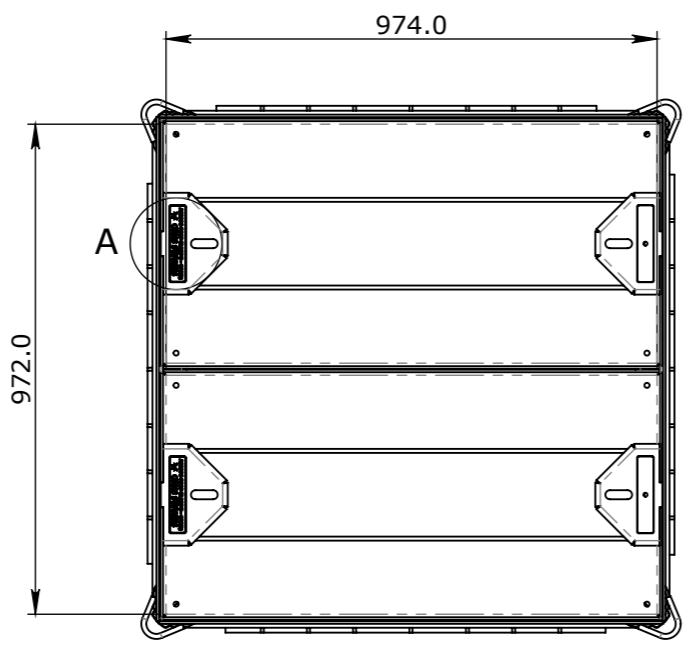


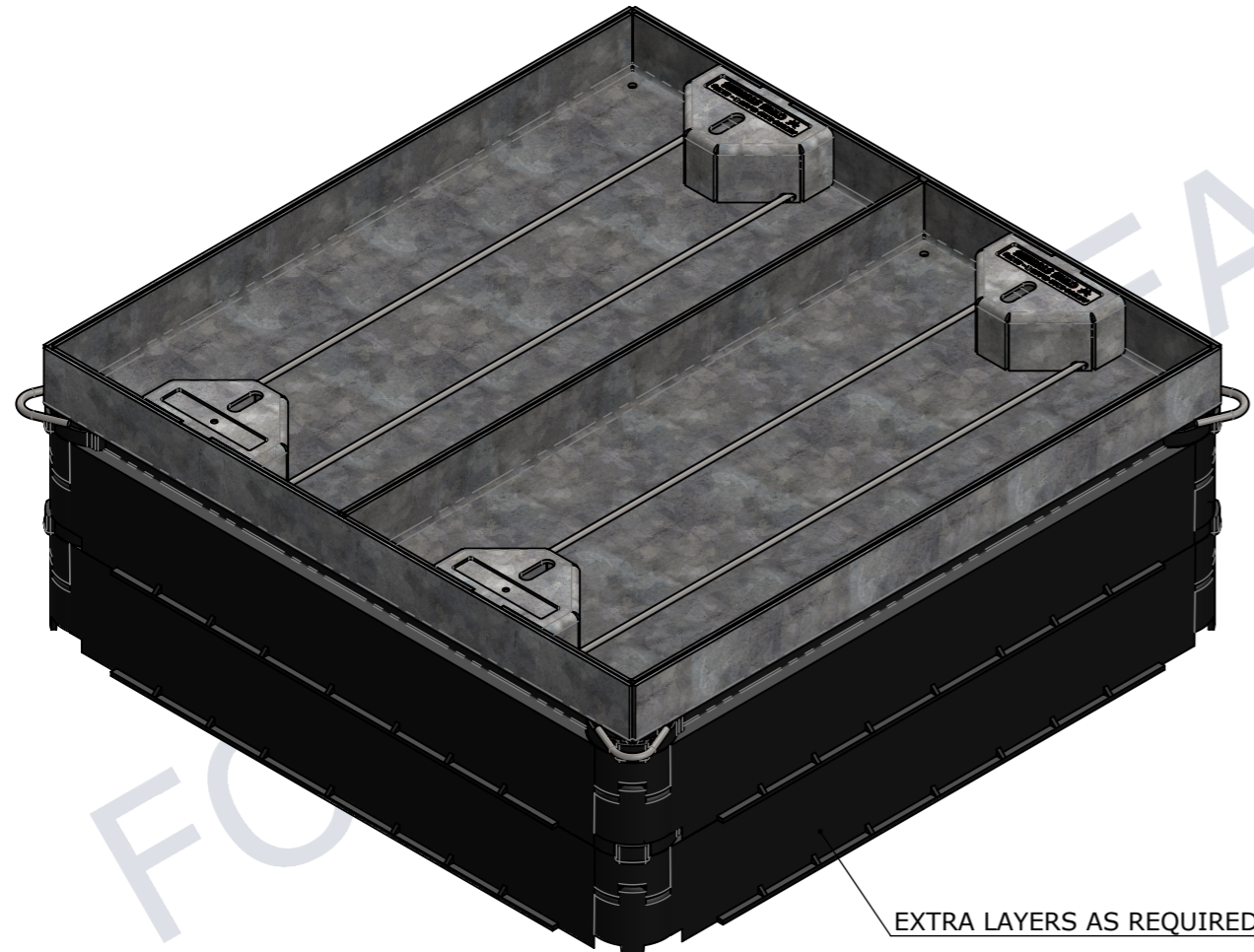
DETAIL A
SCALE_1:2



PLAN VIEW
COVER REMOVED FOR CLARITY

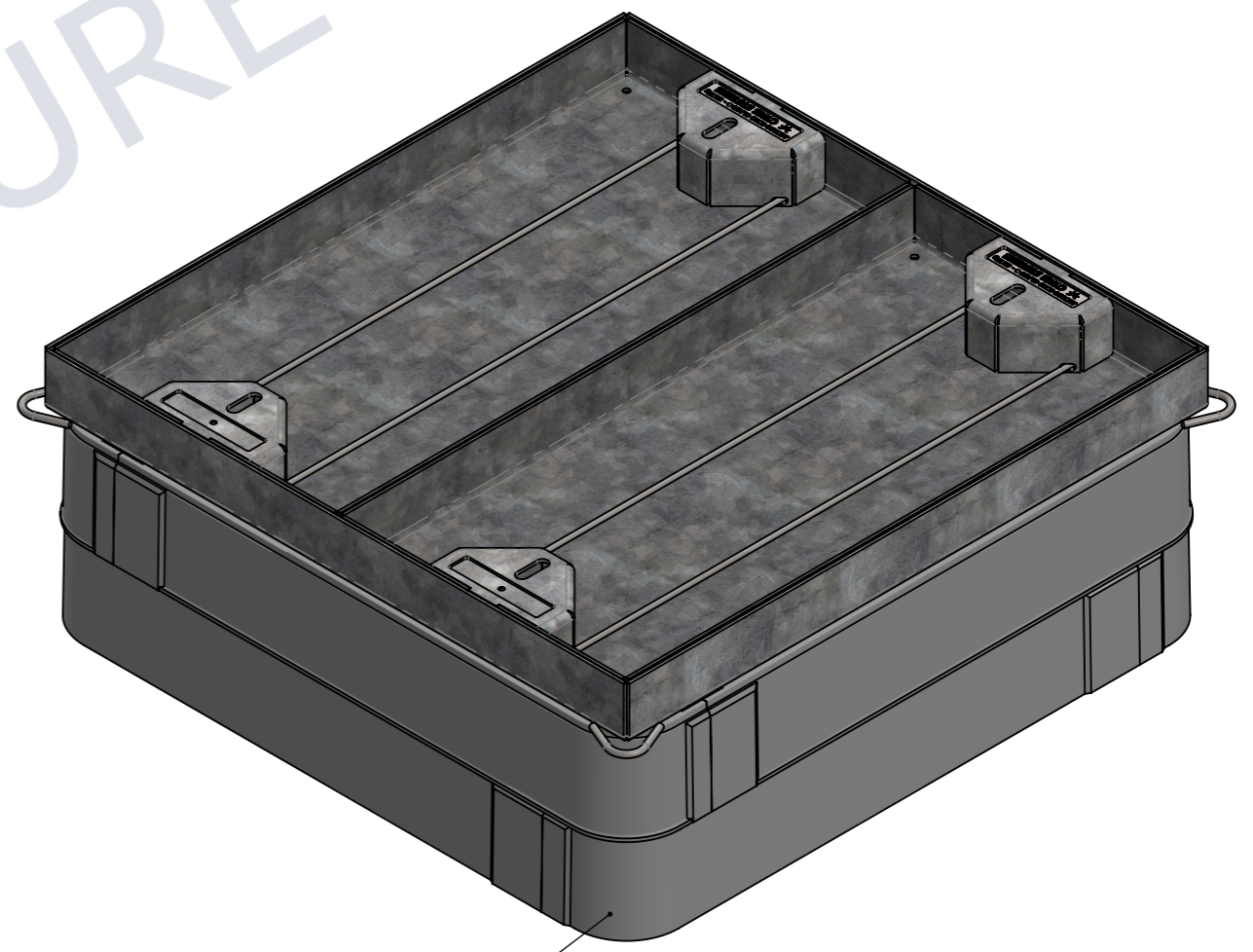
BOM:50204846

ITEM #	QTY.	PART #	DESCRIPTION	WEIGHT
1	1	NPD20-016-04-01	CUBIS INFIL COVER, FRAME	28.36
2	2	NPD20-016-04-02	CUBIS INFIL COVER, COVER	36.07
3	2	NPD20-016-04-04	900X900 INFIL NAME PLATE	0.0
4	4	50201124	STAKKABOX CONNECT HS LEFT 900mm	2.51
5	4	50201125	STAKKABOX CONNECT HS RIGHT 900mm	5.34



EXTRA LAYERS AS REQUIRED

FORTRESS 900x900



EXTRA LAYERS AS REQUIRED

ULTIMA 900x900

- TOLERANCE NOTES:**
1. CONCRETE TOLERANCES TO BE IN CONJUNCTION / ACCORDANCE WITH AS3600 - CONCRETE STRUCTURES
 2. WHEN A BROOME FINISH IS REQUIRED THE GENERAL TOLERANCE SUPERCEEDS THE FLATNESS TOLERANCE
 3. WALL THICKNESS - DIMENSION AS NOTED IS MINIMUM THICKNESS ONLY
 4. CONCRETE GRADE - 40MPA UNLESS NOTED OTHERWISE
 5. DIMENSIONS ARE NOT INCLUSIVE OF SEALANTS OF JOINTS
 6. SURFACE FINISH - CLASS 4 (AS3610.1)

Rev	DESCRIPTION	DATE	BY	APPROVED
3				
2				
1				

GENERAL TOLERANCES		REVISION CONTROL	
NOMINAL:	UP TO 1000mm	1M AND ABOVE	FLATNESS: (NOT INCLUDING BROOME FINISH)
TOLERANCE:	±5mm	1mm IN 200mm UP TO A MAXIMUM OF 20mm	±4mm PER 1M WIDTH IN 1M LENGTH

CHK / APPR:	CA
DATE:	
RPEQ DOCUMENT #:	
WEIGHT:	151.28Kg
MATERIAL:	
IRF REF:	

HEAD OFFICE:
CARNGHAM ROAD
BALLARAT, VIC 3351
(03) 5335 8741

ENGINEERING & DEVELOPMENT:
2 STRADBROKE STREET
HEATHWOOD, QLD 4110
(07) 3714 0444

THE INFORMATION DISCLOSED IN THIS DOCUMENT IS CONFIDENTIAL AND IS NOT WITHOUT THE EXPRESS CONSENT OF CUBIS SYSTEMS AUSTRALIA TO BE COPIED, REPRODUCED, OR GIVEN TO ANY OTHER PARTY IN ANY FORM AND THAT ALL COPYRIGHT, DESIGNS AND PATENTS VEST IN CUBIS SYSTEMS AUS.

DRAFTED DATE:	1/06/2020	PART/PRODUCT #	NPD20-016-04	QUOTE #	ORDER #
DRAFTED BY:		REINFORCEMENT COMPUTATION		PIT #	ITEM TYPE
DATE LAST SAVED:	1/04/2021	CLIENT	CUBIS SYSTEMS		
LAST SAVED BY:	CABEYSINGH	PROJECT DESC	CUBIS INFIL COVER PROJECT		
		DRAWING NAME	900x900 GMS COVER ASSEMBLY	REV.	0
		DRAWING #	50204846	PAGE	1 / 1
		SCALE	1:5	SHEET SIZE	A3