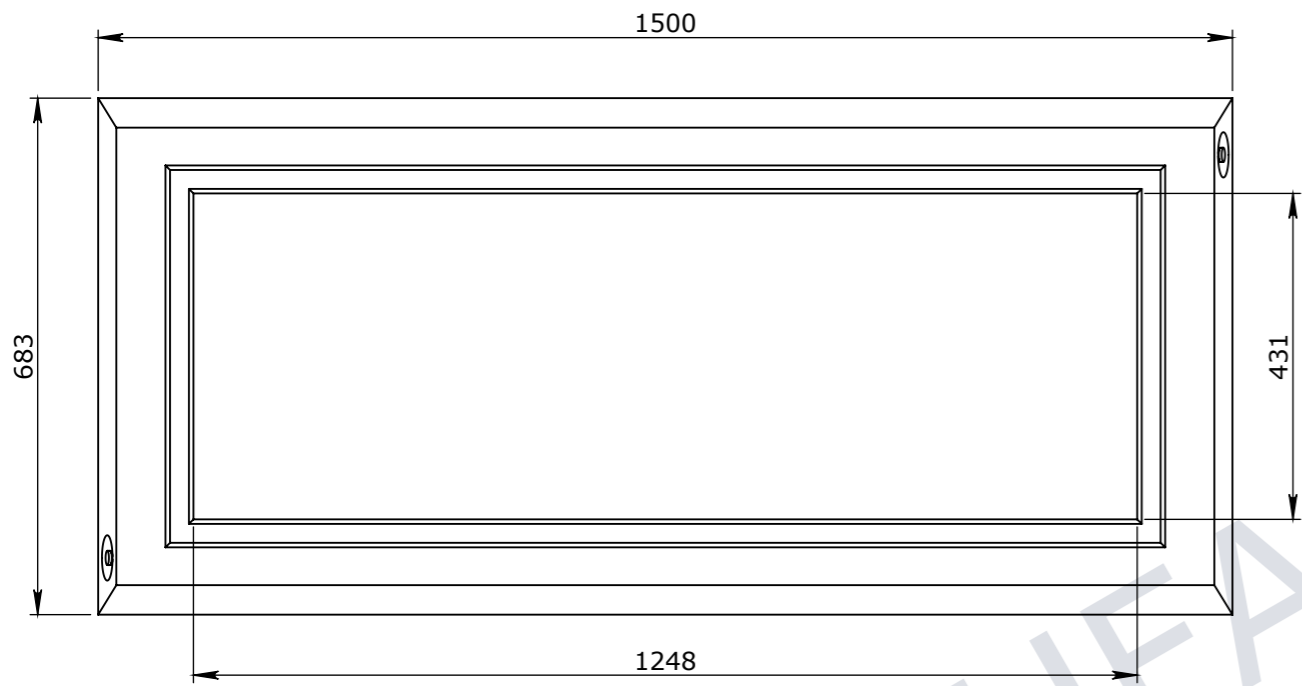


FIBRE CONCRETE PRODUCT NOTE:

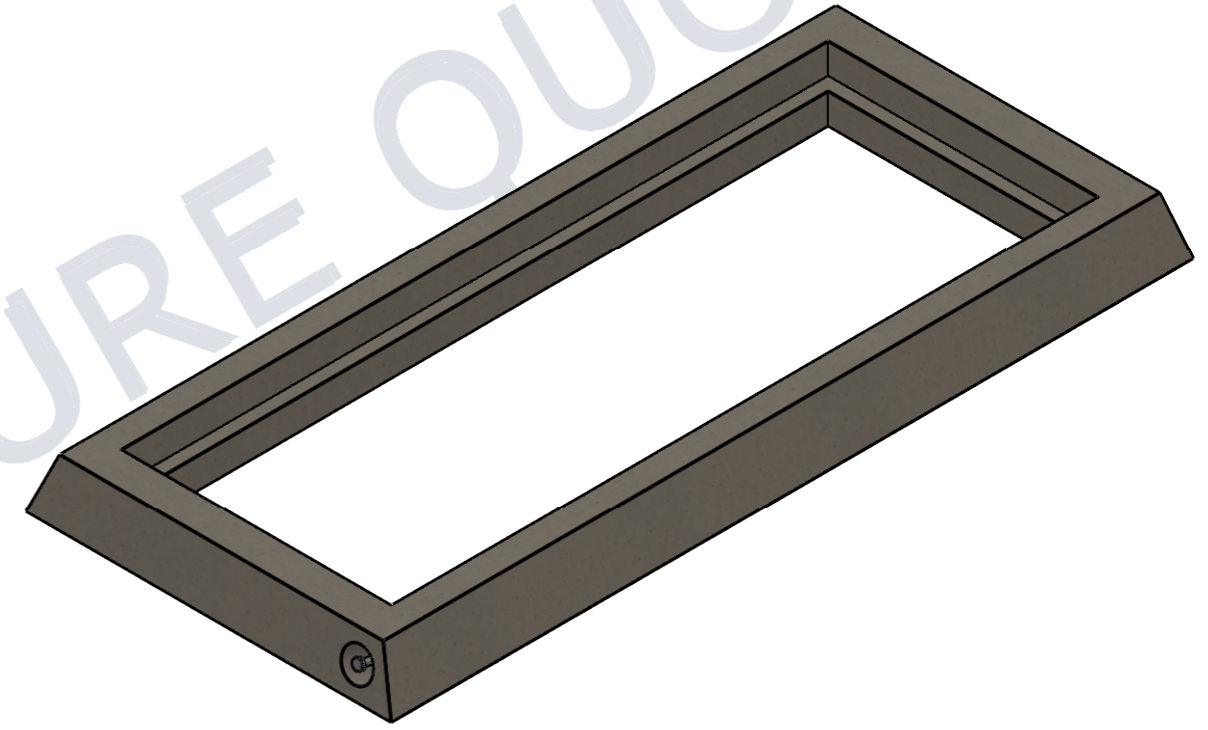
1. REFER TO GENERAL TOLERANCES UNO
2. 40MPA CONCRETE
3. MINIMUM STRENGTH OF CONCRETE SHALL BE 25MPA AT THE TIME OF LIFTING
4. REFER TO ANCON LIFTING ARRANGEMENT PLAN
5. CONCRETE VOLUME (M³) = [0.03]
6. REFER TO 50201501-REO FOR REO ARRANGEMENT

BOM:50201501_COLLAR CONCRETE P6

ITEM #	QTY.	PART #	DESCRIPTION	MATERIAL	VOLUME
1	1	50201265	CONCRETE 40MPA	CONCRETE 40MPa	0.03
2	2	50201268	FOOT ANCHOR ZP 1.3Tx35mm	MS GR-250 GALV	



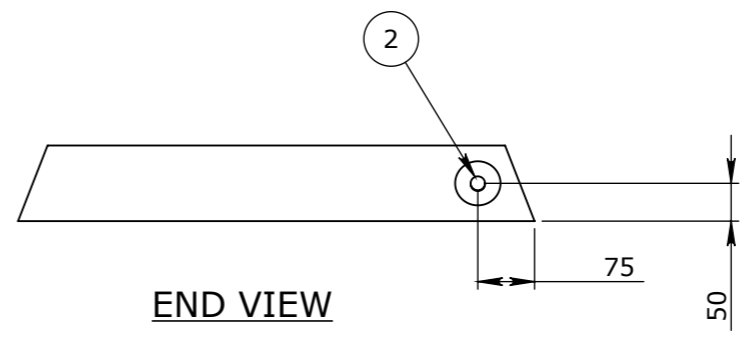
PLAN VIEW



ISOMETRIC VIEW



ELEVATION VIEW



END VIEW

UNCONTROLLED DOCUMENT WHEN PRINTED

TOLERANCE NOTES:

1. CONCRETE TOLERANCES TO BE IN CONJUNCTION / ACCORDANCE WITH AS3600 - CONCRETE STRUCTURES
2. WHEN A BROOME FINISH IS REQUIRED THE GENERAL TOLERANCE SUPERCEEDS THE FLATNESS TOLERANCE
3. WALL THICKNESS - DIMENSION AS NOTED IS MINIMUM THICKNESS ONLY
4. CONCRETE GRADE - 40MPA UNLESS NOTED OTHERWISE
5. DIMENSIONS ARE NOT INCLUSIVE OF SEALANTS OF JOINTS
6. SURFACE FINISH - CLASS 4 (AS3610.1)

Rev	DESCRIPTION	DATE	BY	APPROVED
3				
2				
1				

GENERAL TOLERANCES		REVISION CONTROL	
NOMINAL:	UP TO 1000mm	1M AND ABOVE	FLATNESS: (NOT INCLUDING BROOME FINISH)
TOLERANCE:	±5mm	1mm IN 200mm UP TO A MAXIMUM OF 20mm	±4mm PER 1M WIDTH IN 1M LENGTH

CHK / APPR:	AC
DATE:	
RPEQ DOCUMENT #:	
WEIGHT:	94.5Kg
MATERIAL:	CONCRETE 40MPA
IRF REF:	

CUBIS SYSTEMS
A CRH COMPANY

HEAD OFFICE:
CARNHAM ROAD
BALLARAT, VIC 3351
(03) 5335 8741

ENGINEERING & DEVELOPMENT:
91 STRADBROKE STREET
HEATHWOOD, QLD 4110
(07) 3714 0444

THE INFORMATION DISCLOSED IN THIS DOCUMENT IS CONFIDENTIAL AND IS NOT WITHOUT THE EXPRESS CONSENT OF CUBIS SYSTEMS

AUSTRALIA TO BE COPIED, REPRODUCED, OR GIVEN TO ANY OTHER PARTY IN ANY FORM AND THAT ALL COPYRIGHT, DESIGNS AND PATENTS VEST IN CUBIS SYSTEMS AUS.

DRAFTED DATE:	19/11/2021
DRAFTED BY:	N.BRADIC
DATE LAST SAVED:	20/12/2021
LAST SAVED BY:	CABEYSINGH
DRAWN TO AS 1100	DO NOT SCALE FROM SHEET

PART/PRODUCT #	50201501	QUOTE #		ORDER #	
REINFORCEMENT COMPUTATION		PIT #		ITEM TYPE	
CLIENT	CUBIS SYSTEMS/AUSPITS				
PROJECT DESC	COLLAR CONCRETE P6				
DRAWING NAME	COLLAR CONCRETE P6				
DRAWING #	50201501	PAGE	1 / 1	SHEET SIZE	A3
SCALE	1:10	REV.	0		