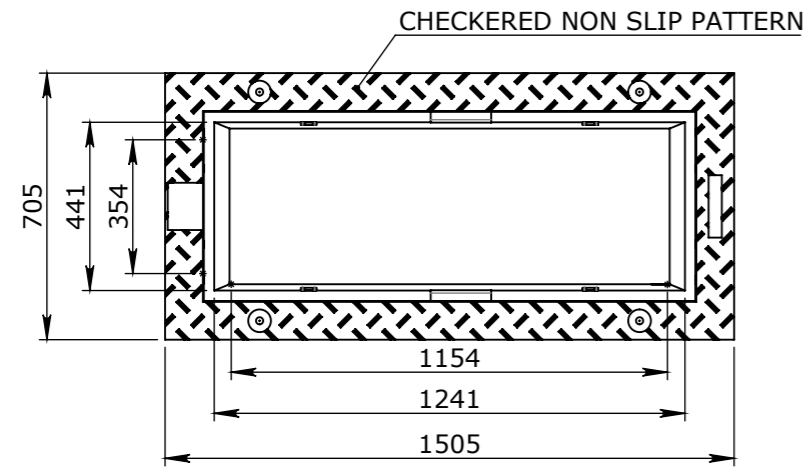
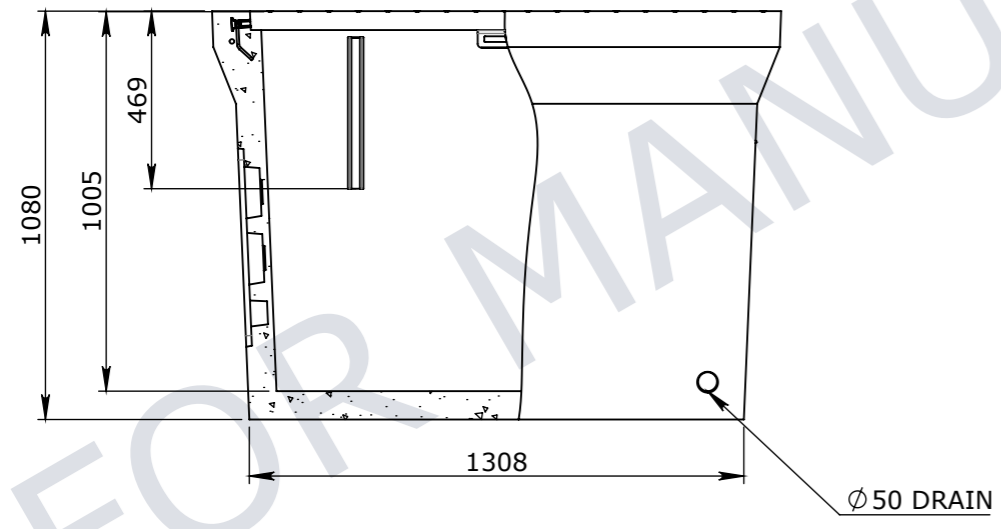


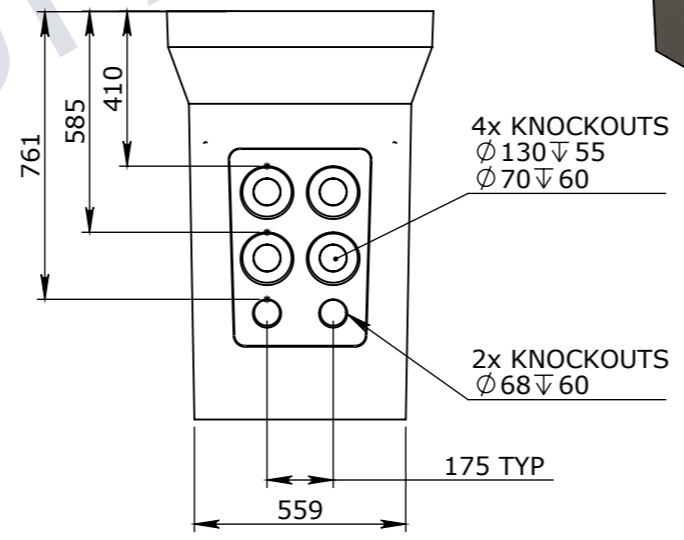
- CONCRETE NOTE:**
1. REFER TO GENERAL TOLERANCES UNO
 2. GRADE OF CONCRETE - 40MPa FIBRE CONCRETE
 3. ALL LIFTING POINTS TO BE USED WHEN LIFTING
 4. MINIMUM STRENGTH OF CONCRETE SHALL BE 25MPa AT THE TIME OF LIFTING
 5. REFER TO PRECAST CONCRETE INSTALLATION GUIDE V.1 2019 FOR INSTALLATION DETAILS
 6. REFER TO ANCON LIFTING ARRANGEMENT PLAN



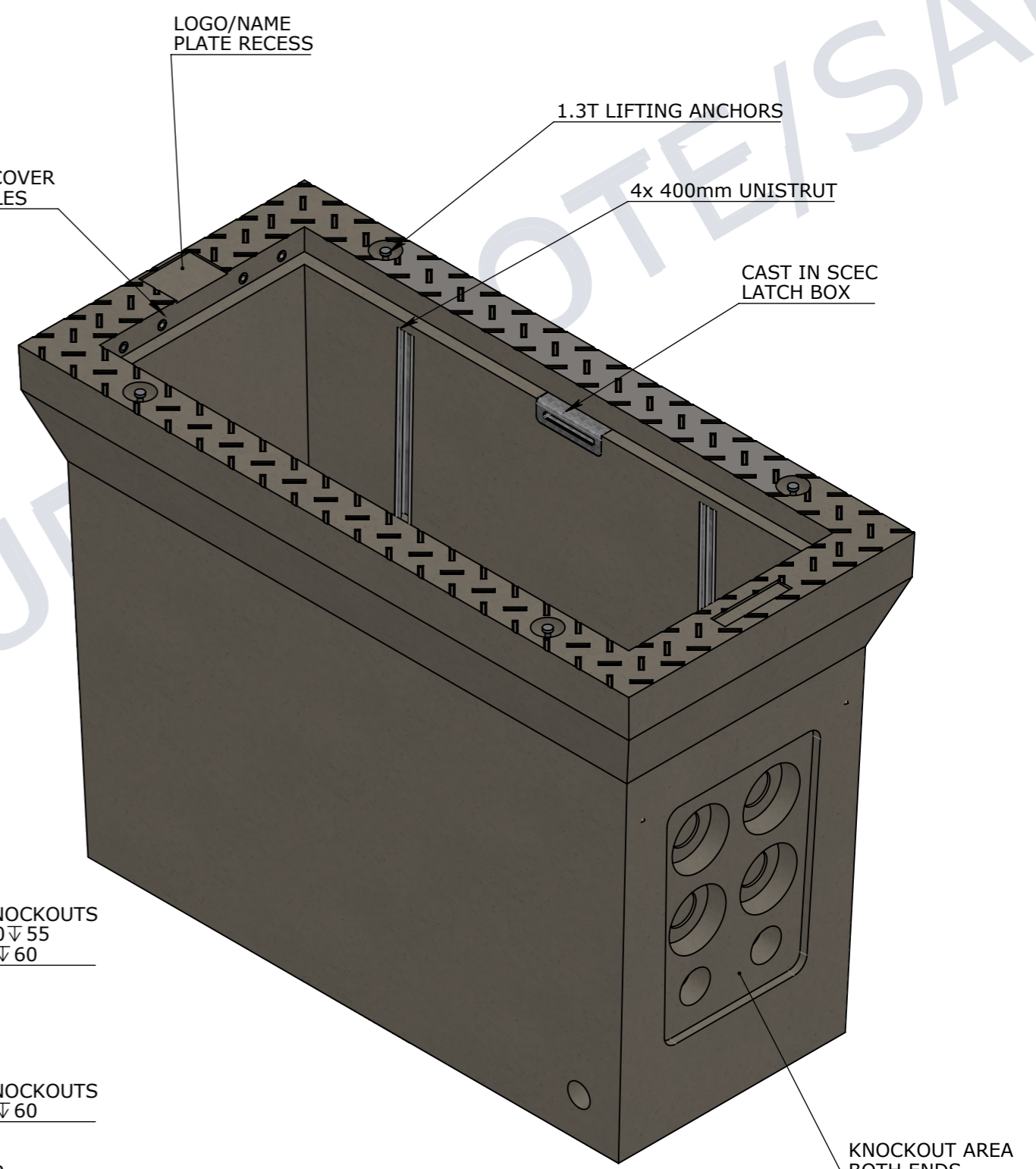
PLAN VIEW



ELEVATION VIEW



END VIEW



**ISOMETRIC VIEW
SCALE 1:10**

UNCONTROLLED DOCUMENT WHEN PRINTED

- TOLERANCE NOTES:**
1. CONCRETE TOLERANCES TO BE IN CONJUNCTION / ACCORDANCE WITH AS3600 - CONCRETE STRUCTURES
 2. WHEN A BROOM FINISH IS REQUIRED THE GENERAL TOLERANCE SUPERCEDES THE FLATNESS TOLERANCE
 3. WALL THICKNESS - DIMENSION AS NOTED IS MINIMUM THICKNESS ONLY
 4. CONCRETE GRADE - 40MPA UNLESS NOTED OTHERWISE
 5. DIMENSIONS ARE NOT INCLUSIVE OF SEALANTS OF JOINTS
 6. SURFACE FINISH - CLASS 4 (AS3610.1)

Rev	DESCRIPTION	DATE	BY	APPROVED
3				
2				
1	ENGINEERING CHANGE 0001	20-12-2023	T.MENDIS	

GENERAL TOLERANCES		REVISION CONTROL	
NOMINAL:	UP TO 1000mm	1M AND ABOVE	FLATNESS: (NOT INCLUDING BROOME FINISH)
TOLERANCE:	±5mm	1mm IN 200mm UP TO A MAXIMUM OF 20mm	±4mm PER 1M WIDTH IN 1M LENGTH

CHK / APPR:	Thilini Mendis
DATE:	13-01-2020
RPEQ DOCUMENT #:	
WEIGHT:	850Kg
MATERIAL:	CONCRETE FIBRE 40MPa
IRF REF:	

Infrastructure Products Australia
A CRH COMPANY

HEAD OFFICE: 1 REEVES COURT, BREAKWATER, VIC 3219, 1800 065 356

ENGINEERING & DEVELOPMENT: 91 STRADBROKE STREET, HEATHWOOD, QLD 4110, (07) 3714 0444

DRAFTED DATE:	28/05/2019
DRAFTED BY:	P.ADAMS
DATE LAST SAVED:	30/01/2024
LAST SAVED BY:	TMENDIS
DRAWN TO AS 1100 DO NOT SCALE FROM SHEET	

PART/PRODUCT #	50206942	QUOTE #		ORDER #	
REINFORCEMENT COMPUTATION		PIT #		ITEM TYPE	
CLIENT	CUBIS SYSTEMS AUSTRALIA				
PROJECT DESC	PIT CONCRETE BELLTOP 8 1005MM DEFENCE KNOCKOUT CLASS D				
DRAWING NAME	PIT CONCRETE BELLTOP 8 1005MM DEFENCE KNOCKOUT CLASS D				
DRAWING #	50206942	PAGE	1 / 1	SHEET SIZE	A3
SCALE	1:20	REV.	2		