

CONCRETE PRODUCT NOTE:

1. REFER TO GENERAL TOLERANCES UNO
2. REFER TO DRAWING [50202857] COVER DETAIL
3. GRADE OF CONCRETE - CONCRETE 50MPA
4. ALL LIFTING POINTS TO BE USED WHEN LIFTING
5. MINIMUM STRENGTH OF CONCRETE SHALL BE 25MPA AT THE TIME OF LIFTING
6. COVER TO REINFORCEMENT TO BE 50mm
7. REFER TO ANCON LIFTING ARRANGEMENT PLAN

SURFACE FINISH

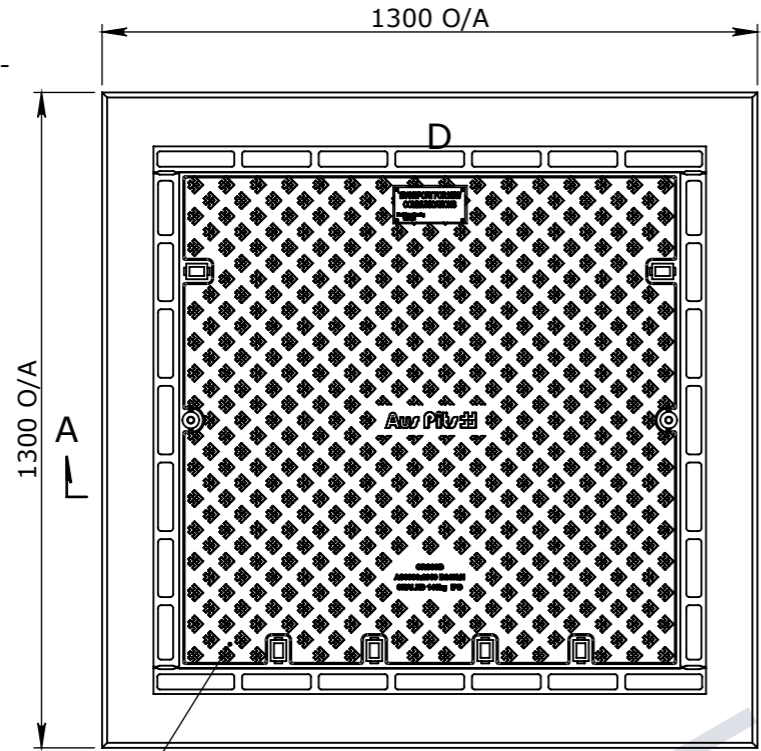
- TOP: BROOM FINISH
- SIDES: OFF FORM FINISH (CLASS 3, AS3610)

DESIGN LOADS:

1. CLASS D TRAFFIC DESIGN LOAD - AS3996:2019 & AS5100:2017

BOM:50207428_

ITEM #	QTY.	PART #	DESCRIPTION	MATERIAL
1	1	50204221	ENCASEMENT SOLID 1300x1300x250 WITH 900x900 CLASS D	
2	1	50207781	TAG BRASS TRANS NSW COMMUNICATIONS	BRASS

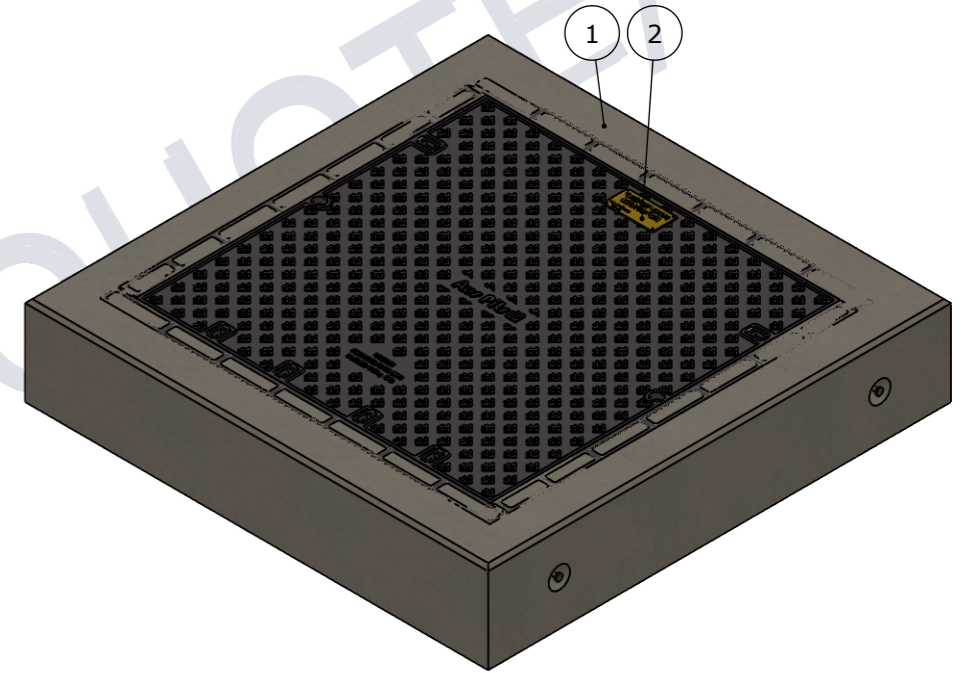


PLAN VIEW



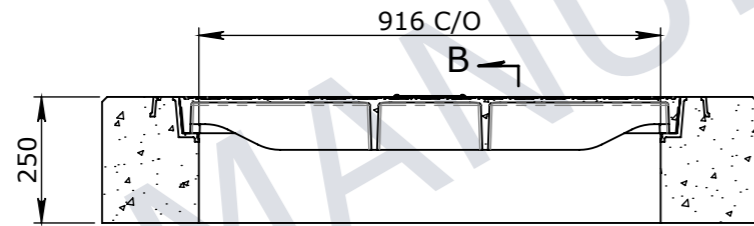
DETAIL D
SCALE_1:2

140x70x3mm BRASS PLATE

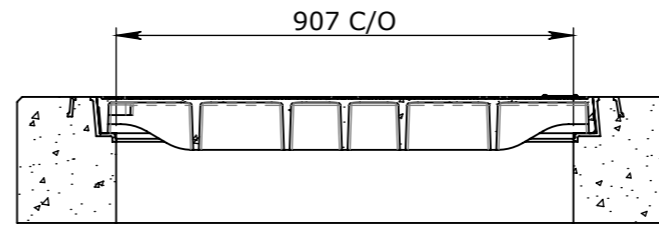


ISOMETRIC VIEW

COVER AND FRAME SOLID 900x900 1 PART CLASS D (CRS99D)



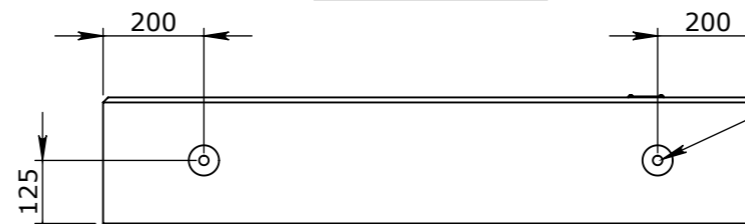
SECTION A-A



SECTION B-B



ELEVATION VIEW



END VIEW

2PCS x 1.3T LIFTING ANCHORS
2PCS x OPPOSITE SIDE @SAME LOCATION

UNCONTROLLED DOCUMENT WHEN PRINTED

- TOLERANCE NOTES:**
1. CONCRETE TOLERANCES TO BE INCONJUNCTION / ACCORDANCE WITH AS3600 - CONCRETE STRUCTURES
 2. WHEN A BROOM FINISH IS REQUIRED THE GENERAL TOLERANCE SUPERCEDES THE FLATNESS TOLERANCE
 3. WALL THICKNESS - DIMENSION AS NOTED IS MINIMUM THICKNESS ONLY
 4. CONCRETE GRADE - 40MPA UNLESS NOTED OTHERWISE
 5. DIMENSIONS ARE NOT INCLUSIVE OF SEALANTS OF JOINTS
 6. SURFACE FINISH - CLASS 4 (AS3610.1)

Rev	DESCRIPTION	DATE	BY	APPROVED
3				
2				
1				

GENERAL TOLERANCES		REVISION CONTROL	
NOMINAL:	UP TO 1000mm	1M AND ABOVE	FLATNESS: (NOT INCLUDING BROOME FINISH)
TOLERANCE:	±5mm	1mm IN 200mm UP TO A MAXIMUM OF 20mm	±4mm PER 1M WIDTH IN 1M LENGTH

CHK / APPR: Lee, Mia	WEIGHT: APPROX. 690Kg
DATE:	MATERIAL:
RPEQ DOCUMENT #:	IRF REF:

Infrastructure Products Australia
A CRH COMPANY

HEAD OFFICE:
1 REEVES COURT
BREAKWATER, VIC 3219
1800 065 356

ENGINEERING & DEVELOPMENT:
91 STRADBROKE STREET
HEATHWOOD, QLD 4110
(07) 3714 0444

DRAFTED DATE: 9/11/2023	DRAFTED BY: MLEE
DATE LAST SAVED: 27/11/2023	LAST SAVED BY: MLEE
DRAWN TO AS 1100 DO NOT SCALE FROM SHEET	

PART/PRODUCT # 50207428	QUOTE #	ORDER #
REINFORCEMENT COMPUTATION AP-EC-CRS99D-ENC 1300x1300x250	PIT #	ITEM TYPE
CLIENT INFRASTRUCTURE PRODUCTS AUS	PROJECT DESC CATALOGUE PRODUCTS	
DRAWING NAME ENCASEMENT SOLID 1300X1300X250 WITH 900X900 WITH TRANS NSW BRASS TAG COMM CLASS D	DRAWING # 50207428	REV. 2
PAGE 1 / 1	SHEET SIZE A3	SCALE 1:15