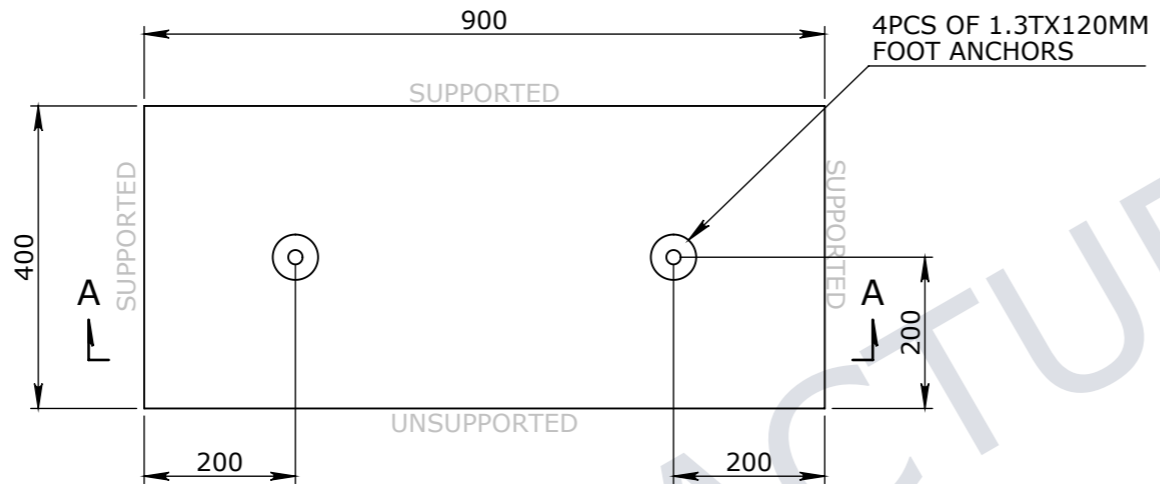


**GENERAL NOTES:**

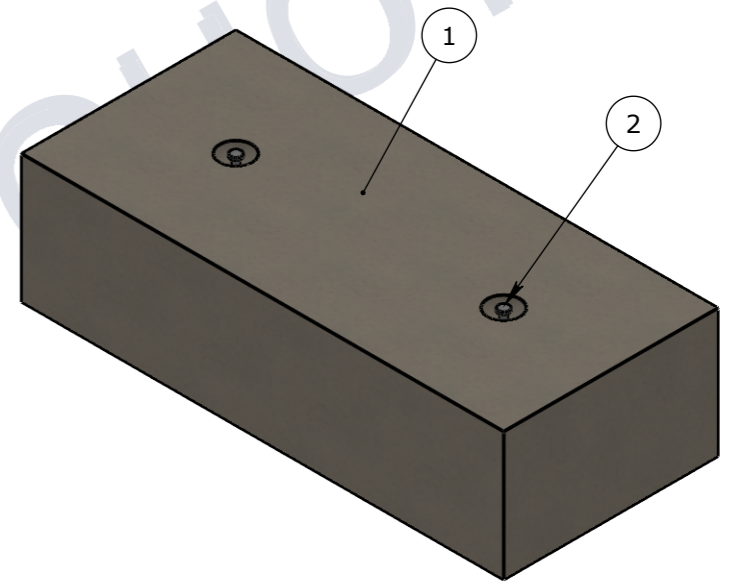
1. CONCRETE GRADE TO BE 50 MPA MINIMUM
2. DESIGN LIFE OF 50 YEARS  
MINIMUM EXPOSURE CLASSIFICATION - B2  
MINIMUM COVER TO REINFORCEMENT - 40MM
3. DESIGN LIFE OF 100 YEARS  
MINIMUM EXPOSURE CLASSIFICATION - B1  
MINIMUM COVER TO REINFORCEMENT - 40MM
4. DESIGN CAPACITY OF PITS WITH CLASS L  
REINFORCEMENT HAS BEEN REDUCED 20%
5. ALLOWABLE SOIL BEARING PRESSURE IS 100KPA
6. TOP REBATE TO SUIT RISER SHALL BE ACCORDING TO THE PIT ASSEMBLY DRAWINGS

**BOM: 50207739**

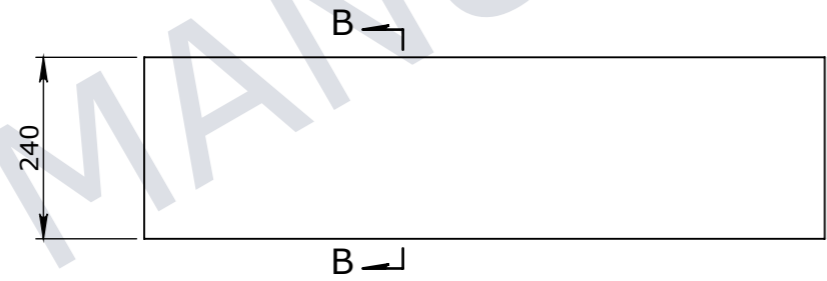
ITEM #	QTY.	PART #	DESCRIPTION	MATERIAL	VOLUME
1	1	50201266	CONCRETE 50MPA	CONCRETE 50MPa	0.09
2	2	50201090	FOOT ANCHOR GALV 1.3TX120MM	MS GR-250 GALV	0.0



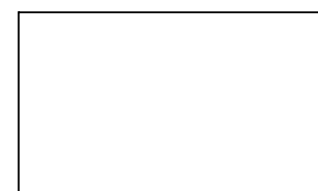
PLAN VIEW



ISOMETRIC VIEW



SECTION A-A



SECTION B-B

UNCONTROLLED DOCUMENT WHEN PRINTED

**ISSUED FOR CONSTRUCTION**

**TOLERANCE NOTES:**

1. CONCRETE TOLERANCES TO BE IN CONJUNCTION / ACCORDANCE WITH AS3600 - CONCRETE STRUCTURES
2. WHEN A BROOM FINISH IS REQUIRED THE GENERAL TOLERANCE SUPERCEDES THE FLATNESS TOLERANCE
3. WALL THICKNESS - DIMENSION AS NOTED IS MINIMUM THICKNESS ONLY
4. CONCRETE GRADE - 40MPA UNLESS NOTED OTHERWISE
5. DIMENSIONS ARE NOT INCLUSIVE OF SEALANTS OF JOINTS
6. SURFACE FINISH - CLASS 4 (AS3610.1)

Rev.	DESCRIPTION	DATE	BY	APPROVED
3				
2				
1				

GENERAL TOLERANCES		REVISION CONTROL	
NOMINAL:	UP TO 1000mm	1M AND ABOVE	FLATNESS: (NOT INCLUDING BROOME FINISH)
TOLERANCE:	±5mm	1mm IN 200mm UP TO A MAXIMUM OF 20mm	±4mm PER 1M WIDTH IN 1M LENGTH

CHK / APPR: De Silva, DATE: 7/10/23	WEIGHT: 211.5Kg
RPEQ DOCUMENT #:	MATERIAL: CONCRETE 50MPA
	IRF REF:

**Infrastructure Products Australia**  
A CRH COMPANY

HEAD OFFICE:  
1 REEVES COURT  
BREAKWATER, VIC 3219  
1800 065 356

ENGINEERING & DEVELOPMENT:  
91 STRADBROKE STREET  
HEATHWOOD, QLD 4110  
(07) 3714 0444

DRAFTED DATE: 5/10/2023	DRAFTED BY: TDESILVA
DATE LAST SAVED: 6/10/2023	LAST SAVED BY: TDESILVA
DRAWN TO AS 1100 DO NOT SCALE FROM SHEET	

PART/PRODUCT # 50207739	QUOTE #	ORDER #
REINFORCEMENT COMPUTATION	PIT #	ITEM TYPE
CLIENT INFRASTRUCTURE PRODUCTS AUSTRALIA	PROJECT DESC CORBEL WITH GROUT TUBES 950x400x240	
DRAWING NAME	DRAWING # 50207739	REV. 0
PAGE 1 / 1	SHEET SIZE A3	SCALE 1:10