

CONCRETE PRODUCT NOTE:

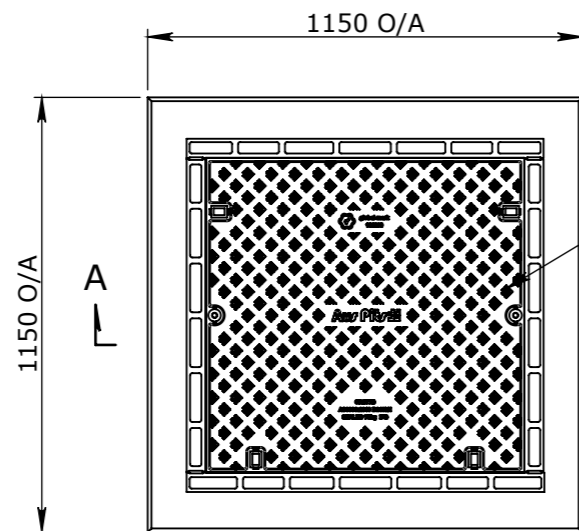
1. REFER TO GENERAL TOLERANCES UNO
2. REFER TO DRAWING [50202855] COVER DETAIL
3. GRADE OF CONCRETE - CONCRETE 50MPa
4. ALL LIFTING POINTS TO BE USED WHEN LIFTING
5. MINIMUM STRENGTH OF CONCRETE SHALL BE 25MPa AT THE TIME OF LIFTING
6. COVER TO REINFORCEMENT TO BE 50mm
7. REFER TO ANCON LIFTING ARRANGEMENT PLAN
8. CONCRETE VOLUME (M³) = [0.2]

DESIGN LOADS:

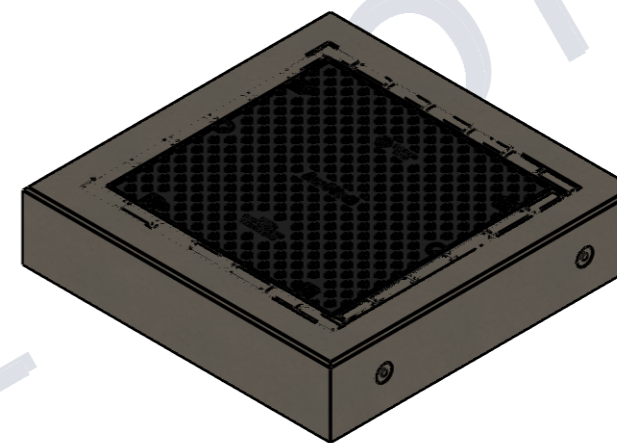
1. CLASS D TRAFFIC DESIGN LOAD - AS3996:2019 & AS5100:2017

BOM:50204220_CATALOGUE PRODUCTS

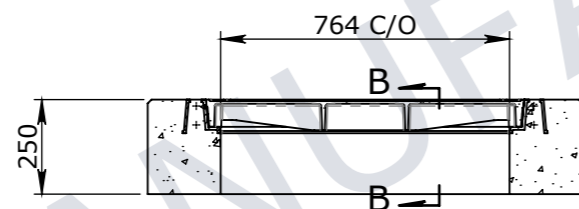
ITEM #	QTY.	PART #	DESCRIPTION	MATERIAL	VOLUME
1	1	50201266	CONCRETE 50MPa	CONCRETE 50MPa	0.2
2	4	50201279	FOOT ANCHOR GALV 1.3Tx85mm	MS GR-250 GALV	0
3	1	50202855	COVER AND FRAME SOLID 750x750 1 PART CLASS D (CRS77D)	CAST IRON	



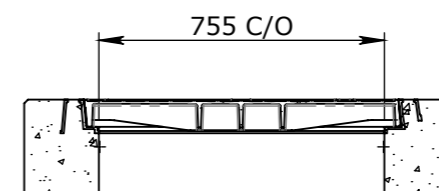
PLAN VIEW



ISOMETRIC VIEW



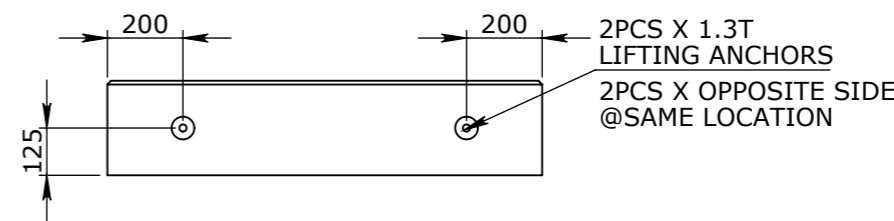
SECTION A-A



SECTION B-B



ELEVATION VIEW



END VIEW

UNCONTROLLED DOCUMENT WHEN PRINTED

TOLERANCE NOTES:

1. CONCRETE TOLERANCES TO BE IN CONJUNCTION / ACCORDANCE WITH AS3600 - CONCRETE STRUCTURES
2. WHEN A BROOM FINISH IS REQUIRED THE GENERAL TOLERANCE SUPERCEDES THE FLATNESS TOLERANCE
3. WALL THICKNESS - DIMENSION AS NOTED IS MINIMUM THICKNESS ONLY
4. CONCRETE GRADE - 40MPa UNLESS NOTED OTHERWISE
5. DIMENSIONS ARE NOT INCLUSIVE OF SEALANTS OF JOINTS
6. SURFACE FINISH - CLASS 4 (AS3610.1)

Rev.	DESCRIPTION	DATE	BY	APPROVED
3				
2				
1				

GENERAL TOLERANCES		REVISION CONTROL	
NOMINAL:	UP TO 1000mm	1M AND ABOVE	FLATNESS: (NOT INCLUDING BROOME FINISH)
TOLERANCE:	±5mm	1mm IN 200mm UP TO A MAXIMUM OF 20mm	±4mm PER 1M WIDTH IN 1M LENGTH

CHK / APPR: Lee, Mia
DATE:
RPEQ DOCUMENT #:
WEIGHT: APPROX. 560Kg
MATERIAL: CONCRETE 50MPa
IRF REF:

Infrastructure Products Australia
A CRH COMPANY

HEAD OFFICE:
1 REEVES COURT
BREAKWATER, VIC 3219
1800 065 356

ENGINEERING & DEVELOPMENT:
91 STRADBROKE STREET
HEATHWOOD, QLD 4110
(07) 3714 0444

DRAFTED DATE: 5/06/2023
DRAFTED BY: N.BRADIC
DATE LAST SAVED: 13/11/2023
LAST SAVED BY: MLEE
DRAWN TO AS 1100 DO NOT SCALE FROM SHEET

PART/PRODUCT # 50204220	QUOTE #	ORDER #
REINFORCEMENT COMPUTATION AP-EC-CRS77D-ENC 1150X1150X250	PIT #	ITEM TYPE
CLIENT CUBIS SYSTEMS/AUSPITS	PROJECT DESC CATALOGUE PRODUCTS	
DRAWING NAME ENCASEMENT SOLID 1150x1150x250 WITH 750x750 CLASS D	DRAWING # 50204220	REV. 0
PAGE 1 / 1	SHEET SIZE A3	SCALE 1:20