

CONCRETE PRODUCT NOTE:

- REFER TO GENERAL TOLERANCES UNO
- GRADE OF CONCRETE - PIT: CONCRETE FIBRE 40MPA/ENCASEMENT: CONCRETE 40MPA
- ALL LIFTING POINTS TO BE USED WHEN LIFTING
- MINIMUM STRENGTH OF CONCRETE SHALL BE 25MPA AT THE TIME OF LIFTING
- COVER TO REINFORCEMENT TO BE 30mm
- REFER TO ANCON LIFTING ARRANGEMENT PLAN
- THE LIFTING PLAN IS DESIGNED BASED ON THE MAXIMUM WEIGHT
- REFER TO CUBIS PRECAST CONCRETE INSTALLATION GUIDE (V.1 2019) FOR INSTALLATION DETAILS

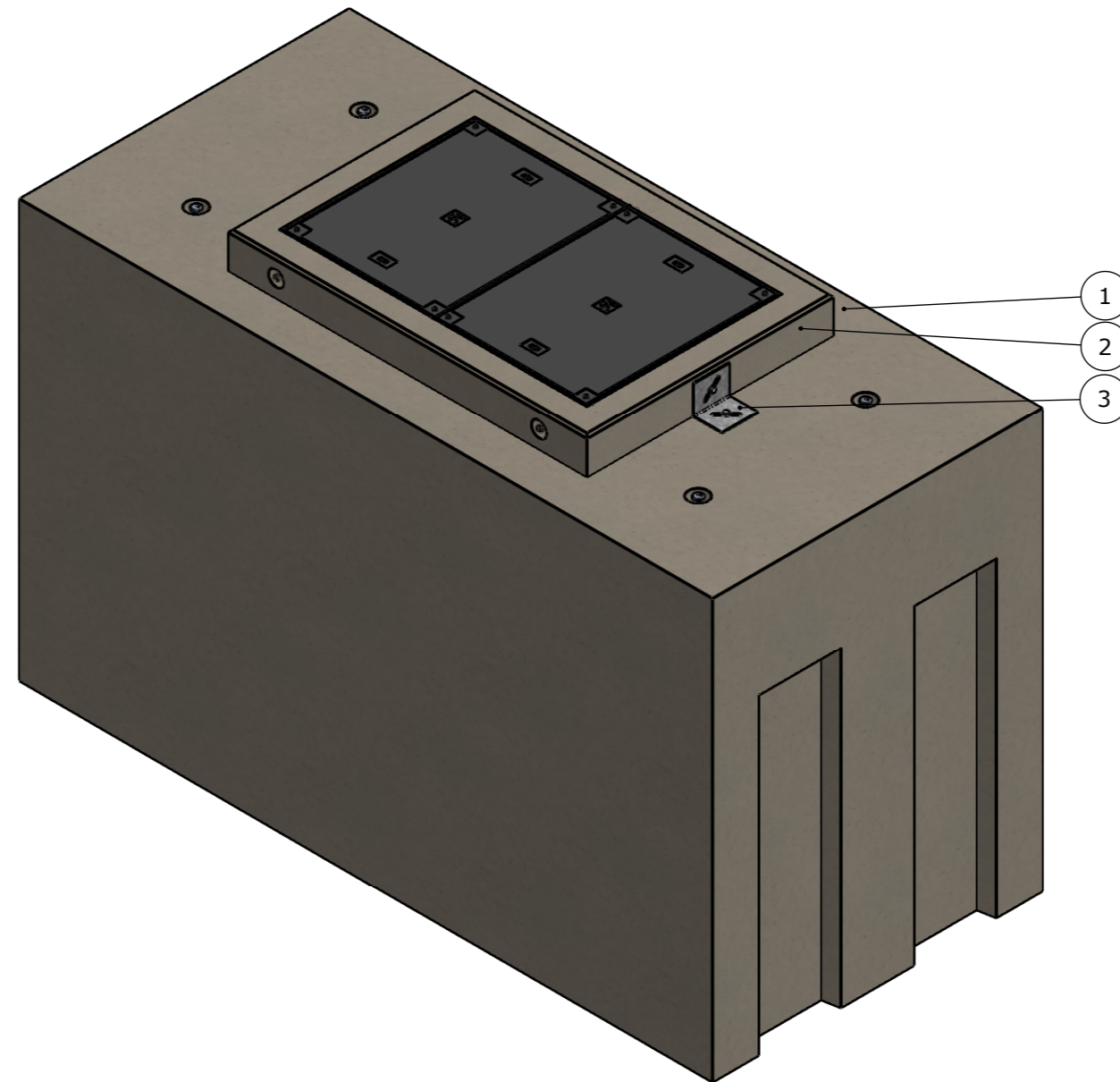
CONSTRUCTION TOLERANCE

- OVERALL PIT DEPTH: +0 AND -10mm
- FLATNESS OF TOP SURFACE: +0 AND -5mm IN 1 SQM AREA

BOM:50201477

ITEM #	QTY.	PART #	DESCRIPTION	MATERIAL	VOLUME
1	1	50201475	PIT CONCRETE MANHOLE PF12 NO FLOOR	CONCRETE FIBRE 40MPA	2.04
2	1	50201491	TURRET CONCRETE 150mm 1370X900X150 WITH TELSTRA 2 PART CLASS B	CONCRETE 40MPA	0.12
3	2	50207244	PLATE FIXING STAINLESS STEEL SS304 125mmx125mmx150mm	STAINLESS STEEL	0.0
4	2	50207318	WASHER FLAT STAINLESS STEEL M12	STAINLESS STEEL	0.0
5	2	50207443	BOLT HEX 316 SS M12X30 CLASS 4.6	STAINLESS STEEL	0.0
6	2	50204691	SLEEVE ANCHOR GALVANISED M12X75	ZINC COATED STEEL	
7	1	50202403	SEALANT SIKAFLEX CONSTRUCTION GREY 600ML		
8	1	50203569	LADDER MANHOLE TELSTRA APPROVED 2400mm C/W BRACKET (TO BE SUPPLIED)		

- PIT AND TURRET ARE INDIVIDUAL PRODUCTS.
- 2 PRODUCTS ARE CONNECTED BY STEEL PLATE.



ISOMETRIC VIEW

UNCONTROLLED DOCUMENT WHEN PRINTED

TOLERANCE NOTES:

- CONCRETE TOLERANCES TO BE IN CONJUNCTION / ACCORDANCE WITH AS3600 - CONCRETE STRUCTURES
- WHEN A BROOM FINISH IS REQUIRED THE GENERAL TOLERANCE SUPERCEDES THE FLATNESS TOLERANCE
- WALL THICKNESS - DIMENSION AS NOTED IS MINIMUM THICKNESS ONLY
- CONCRETE GRADE - 40MPA UNLESS NOTED OTHERWISE
- DIMENSIONS ARE NOT INCLUSIVE OF SEALANTS OF JOINTS
- SURFACE FINISH - CLASS 4 (AS3610.1)

Rev.	DESCRIPTION	DATE	BY	APPROVED
3				
2				
1				

GENERAL TOLERANCES		REVISION CONTROL	
NOMINAL:	UP TO 1000mm	1M AND ABOVE	FLATNESS: (NOT INCLUDING BROOME FINISH)
TOLERANCE:	±5mm	1mm IN 200mm UP TO A MAXIMUM OF 20mm	±4mm PER 1M WIDTH IN 1M LENGTH

CHK / APPR:	
DATE:	
RPEQ DOCUMENT #:	
WEIGHT:	MIN.5650-MAX.5950KG
MATERIAL:	
IRF REF:	

Infrastructure Products Australia
A CRH COMPANY

HEAD OFFICE: 1 REEVES COURT, BREAKWATER, VIC 3219, 1800 065 356

ENGINEERING & DEVELOPMENT: 91 STRADBROKE STREET, HEATHWOOD, QLD 4110, (07) 3714 0444

DRAFTED DATE:	11/07/2022
DRAFTED BY:	MLEE
DATE LAST SAVED:	7/03/2023
LAST SAVED BY:	MLEE
DRAWN TO AS 1100 DO NOT SCALE FROM SHEET	

PART/PRODUCT #	50201477	QUOTE #		ORDER #	
REINFORCEMENT COMPUTATION		PIT #		ITEM TYPE	
CLIENT	CUBIS SYSTEMS/AUSPITS				
PROJECT DESC	CATALOGUE ITEM				
DRAWING NAME	PIT CONCRETE MANHOLE PF12 NO FLOOR AND TURRET				
DRAWING #	50201477	PAGE	1 / 2	SHEET SIZE	A3
SCALE	1:20	REV.	0		

CONCRETE PRODUCT NOTE:

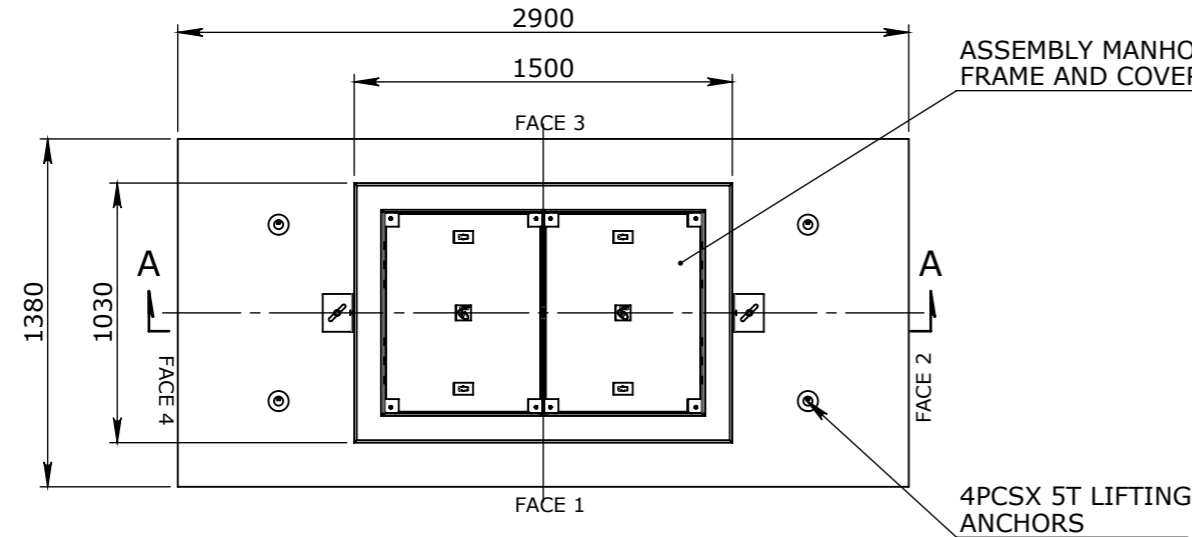
- REFER TO GENERAL TOLERANCES UNO
- GRADE OF CONCRETE - PIT: CONCRETE FIBRE 40MPA/ENCASEMENT: CONCRETE 40MPA
- ALL LIFTING POINTS TO BE USED WHEN LIFTING
- MINIMUM STRENGTH OF CONCRETE SHALL BE 25MPA AT THE TIME OF LIFTING
- COVER TO REINFORCEMENT TO BE 30mm
- REFER TO ANCON LIFTING ARRANGEMENT PLAN
- THE LIFTING PLAN IS DESIGNED BASED ON THE MAXIMUM WEIGHT
- REFER TO CUBIS PRECAST CONCRETE INSTALLATION GUIDE (V.1 2019) FOR INSTALLATION DETAILS

CONSTRUCTION TOLERANCE

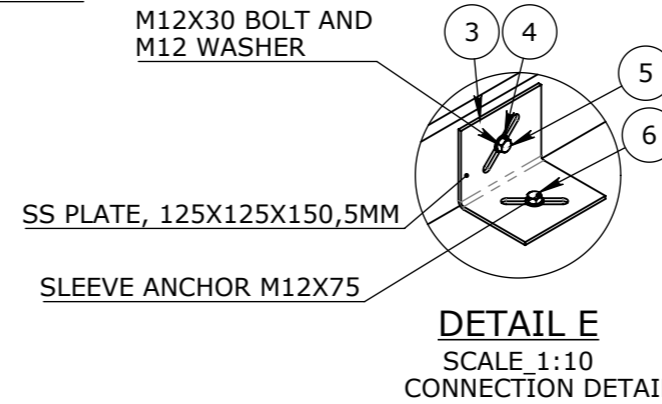
- OVERALL PIT DEPTH: +0 AND -10mm
- FLATNESS OF TOP SURFACE: +0 AND -5mm IN 1 SQM AREA

BOM:50201477

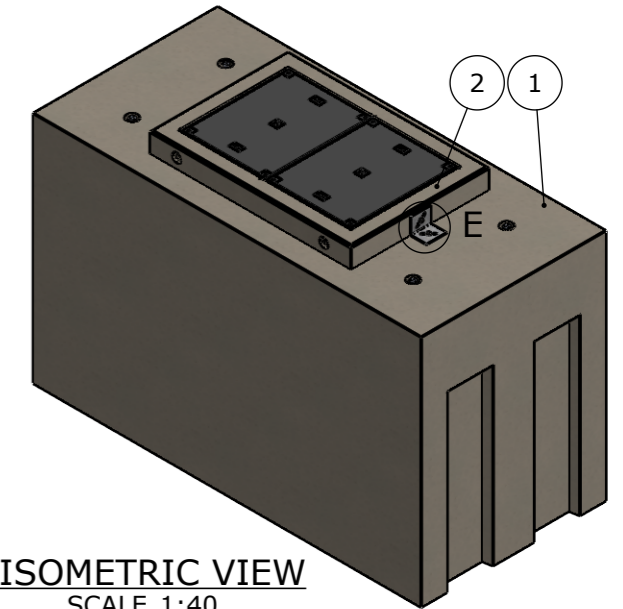
ITEM #	QTY.	PART #	DESCRIPTION	MATERIAL	VOLUME
1	1	50201475	PIT CONCRETE MANHOLE PF12 NO FLOOR	CONCRETE FIBRE 40MPA	2.04
2	1	50201491	TURRET CONCRETE 150mm 1370X900X150 WITH TELSTRA 2 PART CLASS B	CONCRETE 40MPA	0.12
3	2	50207244	PLATE FIXING STAINLESS STEEL SS304 125mmx125mmx150mm	STAINLESS STEEL	0.0
4	2	50207318	WASHER FLAT STAINLESS STEEL M12	STAINLESS STEEL	0.0
5	2	50207443	BOLT HEX 316 SS M12X30 CLASS 4.6	STAINLESS STEEL	0.0
6	2	50204691	SLEEVE ANCHOR GALVANISED M12X75	ZINC COATED STEEL	
7	1	50202403	SEALANT SIKAFLEX CONSTRUCTION GREY 600ML		
8	1	50203569	LADDER MANHOLE TELSTRA APPROVED 2400mm C/W BRACKET (TO BE SUPPLIED)		



PLAN VIEW

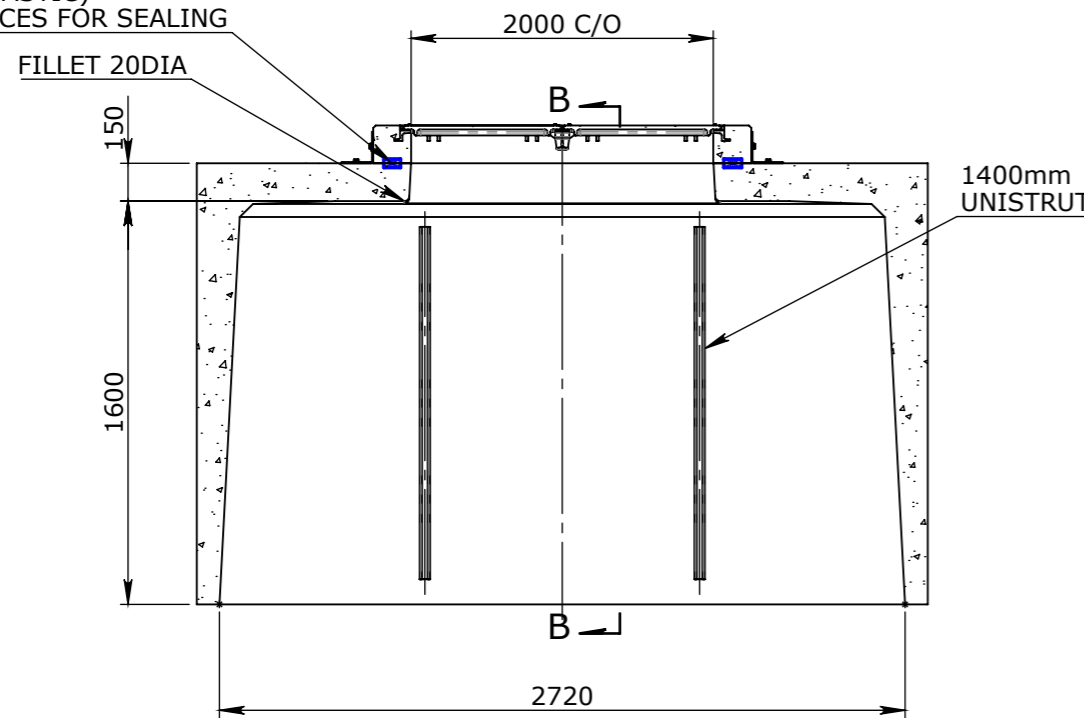


DETAIL E
SCALE 1:10
CONNECTION DETAIL

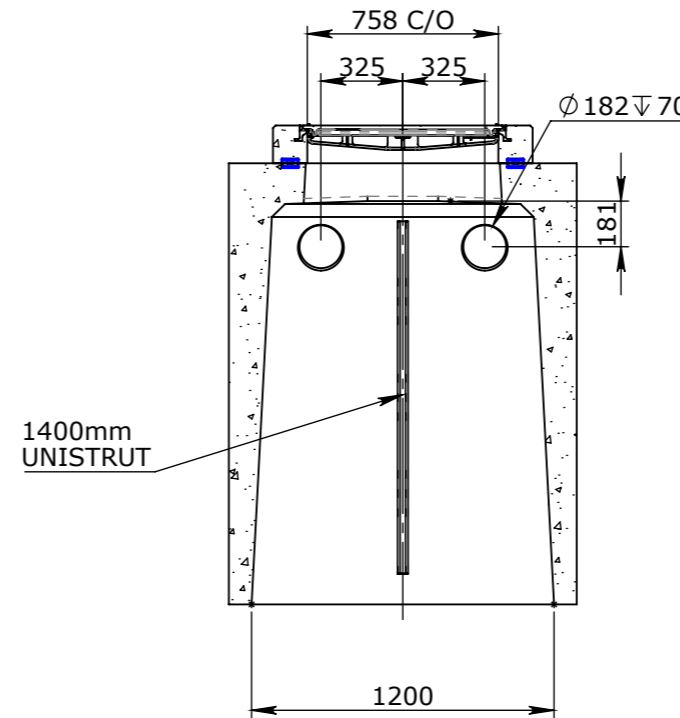


ISOMETRIC VIEW
SCALE 1:40

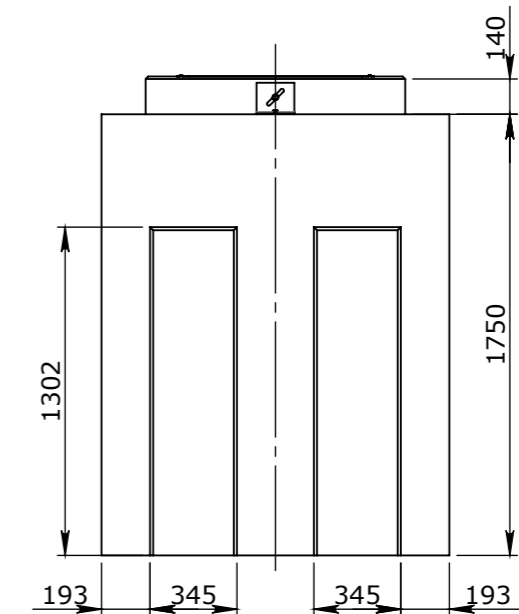
APPLY SIKAFLEX-PRO (OR BUTYL MASTIC) BETWEEN FACES FOR SEALING



SECTION A-A



SECTION B-B



END VIEW

UNCONTROLLED DOCUMENT WHEN PRINTED

- TOLERANCE NOTES:**
- CONCRETE TOLERANCES TO BE IN CONJUNCTION / ACCORDANCE WITH AS3600 - CONCRETE STRUCTURES
 - WHEN A BROOM FINISH IS REQUIRED THE GENERAL TOLERANCE SUPERCEDES THE FLATNESS TOLERANCE
 - WALL THICKNESS - DIMENSION AS NOTED IS MINIMUM THICKNESS ONLY
 - CONCRETE GRADE - 40MPA UNLESS NOTED OTHERWISE
 - DIMENSIONS ARE NOT INCLUSIVE OF SEALANTS OF JOINTS
 - SURFACE FINISH - CLASS 4 (AS3610.1)

Rev	DESCRIPTION	DATE	BY	APPROVED
3				
2				
1				

GENERAL TOLERANCES		REVISION CONTROL	
NOMINAL:	UP TO 1000mm	1M AND ABOVE	FLATNESS: (NOT INCLUDING BROOME FINISH)
TOLERANCE:	±5mm	1mm IN 200mm UP TO A MAXIMUM OF 20mm	±4mm PER 1M WIDTH IN 1M LENGTH

CHK / APPR:	
DATE:	
RPEQ DOCUMENT #:	
WEIGHT:	MIN.5650-MAX.5950KG
MATERIAL:	
IRF REF:	

Infrastructure Products Australia
A CRH COMPANY

HEAD OFFICE: 1 REEVES COURT, BREAKWATER, VIC 3219, 1800 065 356

ENGINEERING & DEVELOPMENT: 91 STRADBROKE STREET, HEATHWOOD, QLD 4110, (07) 3714 0444

DRAFTED DATE:	11/07/2022
DRAFTED BY:	MLEE
DATE LAST SAVED:	7/03/2023
LAST SAVED BY:	MLEE
DRAWN TO AS 1100	DO NOT SCALE FROM SHEET

PART/PRODUCT #	50201477	QUOTE #		ORDER #	
REINFORCEMENT COMPUTATION		PIT #		ITEM TYPE	
CLIENT	CUBIS SYSTEMS/AUSPITS				
PROJECT DESC	CATALOGUE ITEM				
DRAWING NAME	PIT CONCRETE MANHOLE PF12 NO FLOOR AND TURRET				
DRAWING #	50201477	PAGE	2 / 2	SHEET SIZE	A3
SCALE	1:30	REV.	0		