

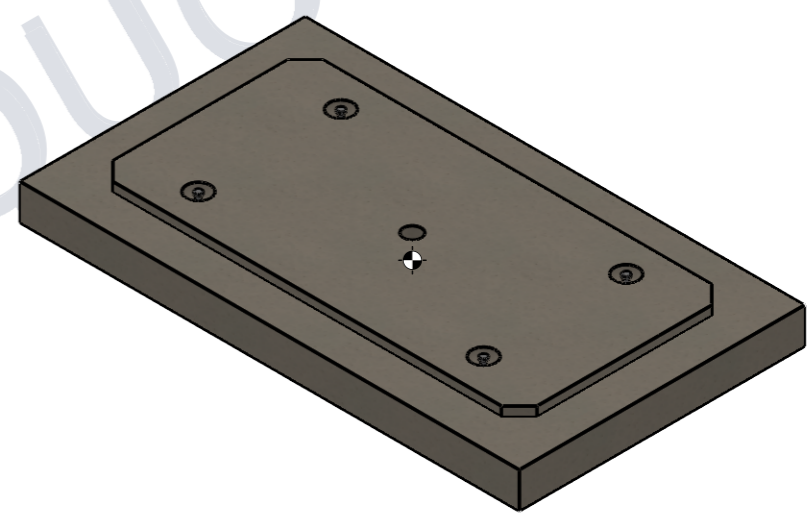
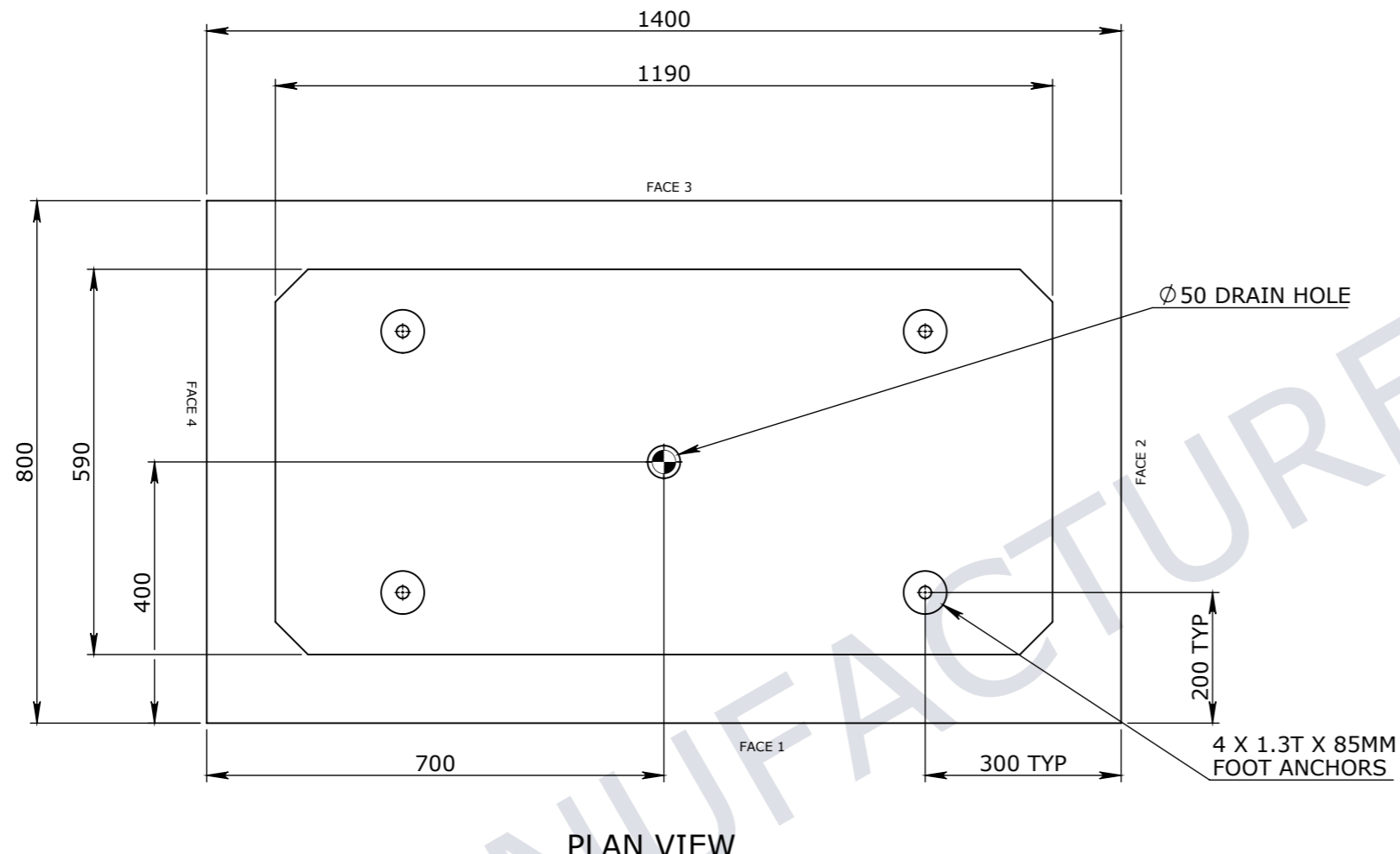
LAST SAVED BY: TDESILVA ON THURSDAY, 21 SEPTEMBER 2023 2:27:20 PM REV: 1

**CONCRETE PRODUCT NOTE:**

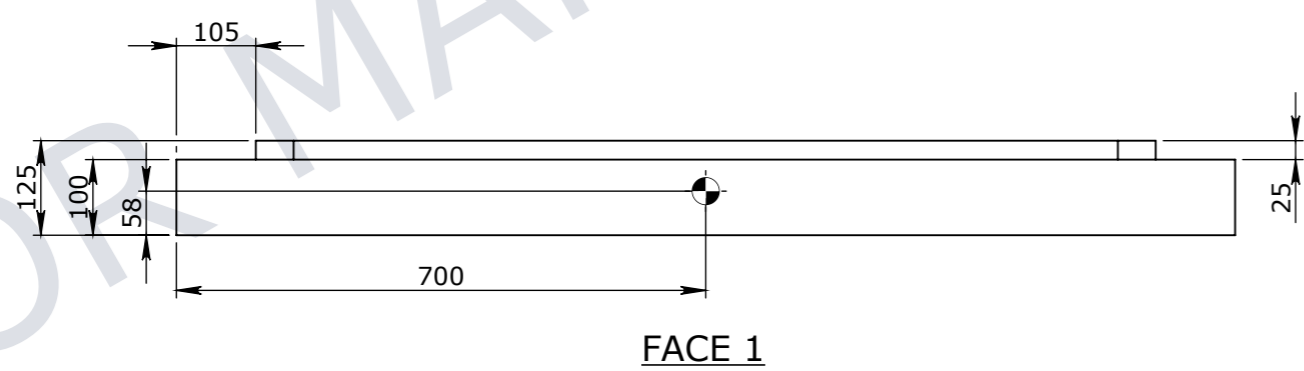
1. REFER TO GENERAL TOLERANCES UNO
2. GRADE OF CONCRETE - CONCRETE 50MPA
3. ALL LIFTING POINTS TO BE USED WHEN LIFTING
4. MINIMUM STRENGTH OF CONCRETE SHALL BE 25MPA AT THE TIME OF LIFTING
5. COVER TO REINFORCEMENT TO BE 30mm
6. REFER TO ANCON LIFTING ARRANGEMENT PLAN
7. CONCRETE VOLUME (M<sup>3</sup>) = [0.13]

**BOM:NPD23-126-FLOOR SLAB\_PIT AND COVERS FOR EXPO**

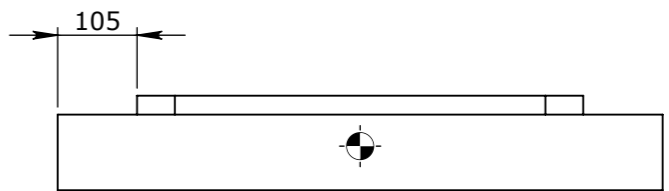
ITEM #	QTY.	PART #	DESCRIPTION	MATERIAL	VOLUME
1	1	50201266	CONCRETE 50MPA	CONCRETE 50MPa	0.13
2	4	50201279	FOOT ANCHOR GALV 1.3TX85MM	MS GR-250 GALV	0.0



SCALE 1:15  
ISOMETRIC VIEW



FACE 1



FACE 2

UNCONTROLLED DOCUMENT WHEN PRINTED

**ISSUED FOR CONSTRUCTION**

- TOLERANCE NOTES:**
1. CONCRETE TOLERANCES TO BE IN CONJUNCTION / ACCORDANCE WITH AS3600 - CONCRETE STRUCTURES
  2. WHEN A BROOM FINISH IS REQUIRED THE GENERAL TOLERANCE SUPERCEDES THE FLATNESS TOLERANCE
  3. WALL THICKNESS - DIMENSION AS NOTED IS MINIMUM THICKNESS ONLY
  4. CONCRETE GRADE - 40MPA UNLESS NOTED OTHERWISE
  5. DIMENSIONS ARE NOT INCLUSIVE OF SEALANTS OF JOINTS
  6. SURFACE FINISH - CLASS 4 (AS3610.1)

Rev	DESCRIPTION	DATE	BY	APPROVED
3				
2				
1				

GENERAL TOLERANCES		REVISION CONTROL	
NOMINAL:	UP TO 1000mm	1M AND ABOVE	FLATNESS: (NOT INCLUDING BROOME FINISH)
TOLERANCE:	±5mm	1mm IN 200mm UP TO A MAXIMUM OF 20mm	±4mm PER 1M WIDTH IN 1M LENGTH

CHK / APPR: De Silva, DATE: 21/09/2023	WEIGHT: 315.8Kg
RPEQ DOCUMENT #:	MATERIAL: CONCRETE 50MPA
	IRF REF:

**Infrastructure Products Australia**  
A CRH COMPANY

HEAD OFFICE:  
1 REEVES COURT  
BREAKWATER, VIC 3219  
1800 065 356

ENGINEERING & DEVELOPMENT:  
91 STRADBROKE STREET  
HEATHWOOD, QLD 4110  
(07) 3714 0444

DRAFTED DATE: 13/09/2023	DRAWN TO AS 1100 DO NOT SCALE FROM SHEET
DRAFTED BY: T.DESILVA	
DATE LAST SAVED: 21/09/2023	
LAST SAVED BY: TDESILVA	

PART/PRODUCT # ULTIMA-FLOOR-16193	QUOTE # 16193	ORDER # 26167
REINFORCEMENT COMPUTATION	PIT #	ITEM TYPE
CLIENT INFRASTRUCTURE PRODUCTS AUSTRALIA		
PROJECT DESC PIT AND COVERS FOR EXPO		
DRAWING NAME FLOOR CONCRETE 1400x800x125MM TO SUIT ULTIMA 600X1200		
DRAWING # NPD23-126-FLOOR SLAB	PAGE 1 / 2	SHEET SIZE A3
SCALE 1:10	REV. <b>1</b>	