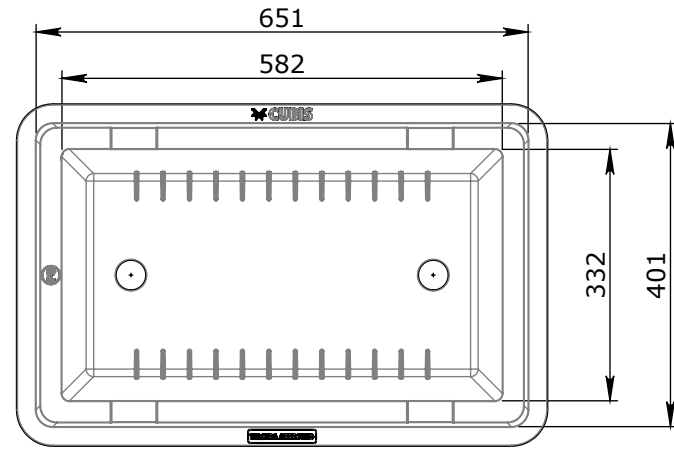


**GENERAL NOTE:**

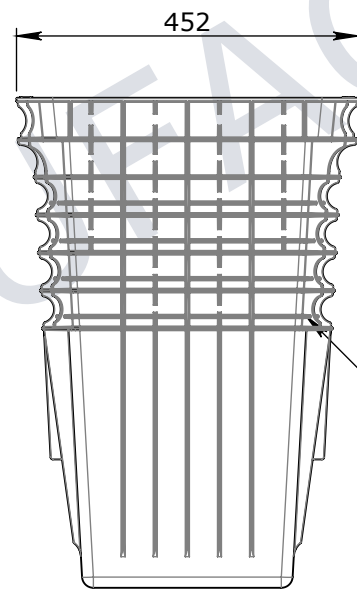
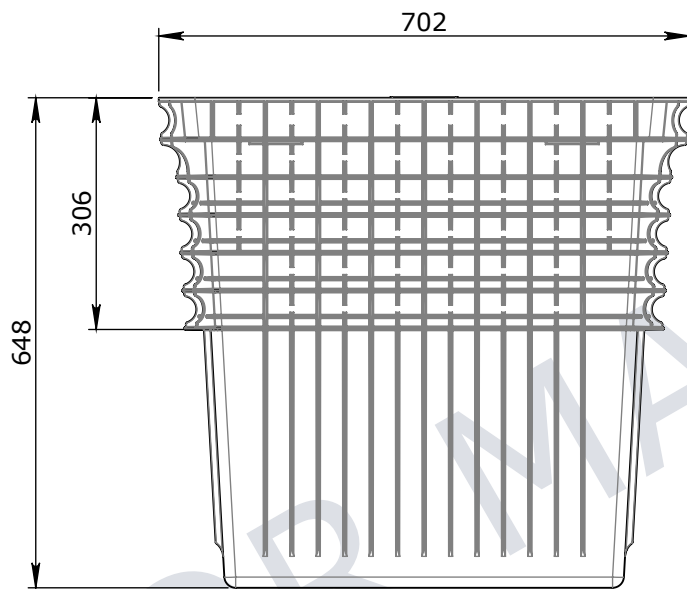
1. REFER TO TOLERANCES SHOWN ON DRAWING VIEWS INSTEAD OF TITLE BLOCK.
2. MATERIAL - POLYPROPYLENE
3. COLOUR - BLACK
4. METHOD OF MANUFACTURE - INJECTION MOULDING
5. REFER TO MONOBOX INSTALLATION GUIDE

**BOM:50207710**

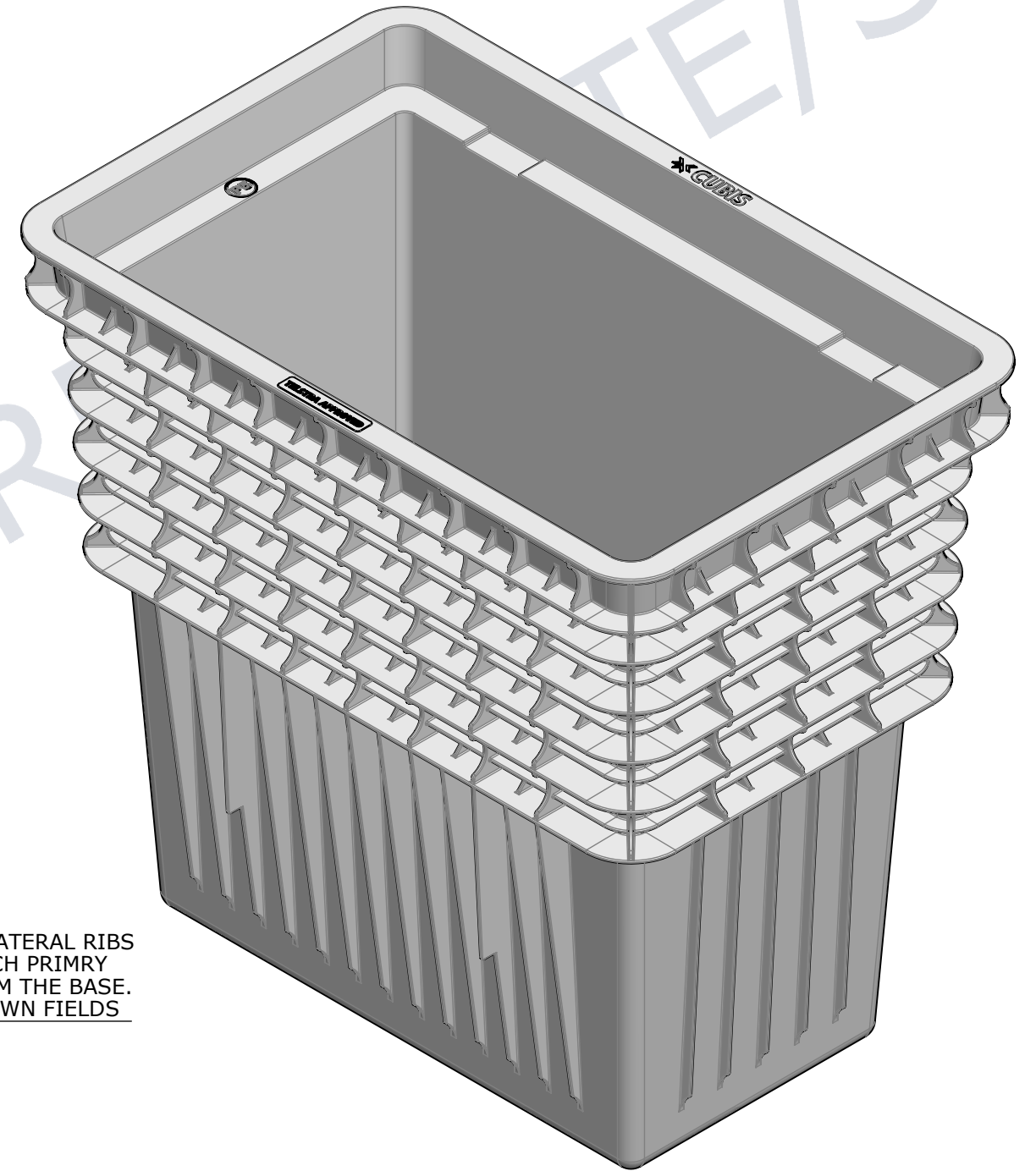
ITEM #	QTY.	PART #	DESCRIPTION	WEIGHT
1	1	50207710	MONOBOX™ P5 PLASTIC PIT INJ TELSTRA APPROVED	8.86



**PLAN VIEW**



FOUR ADDITIONAL LATERAL RIBS LOCATED ABOVE EACH PRIMARY RIB BEGINNING FROM THE BASE. PROVISION FOR BROWN FIELDS



**ISOMETRIC VIEW**

UNCONTROLLED DOCUMENT WHEN PRINTED

1. MATERIAL SPECIFICATIONS UNO SECTIONS & FLATS - AS 3679 - GR 300+ PLATES AS 3678 - GR 250 SHS AS 1163 - GR 350  
 2. WELDING TO COMPLY TO AS 1554.1 UNO

Rev	DESCRIPTION	DATE:	BY:	ECO#:

GENERAL TOLERANCES				
NOMINAL SIZE	UP TO 150	ABOVE 150 UP TO 500	ABOVE 500	ANGULAR ∠ X.X±0°30'
TOL	±1.0	±2.0	±5.0	∠ X ± 1°

TOLERANCES - FABRICATION		
LINEAR X.XX ± 0.02	FACES SQUARE ⊥ 0.05/100	ANGULAR ∠ X.X ± 0°30' DIA. CONC WITHIN Ⓞ 0.05 TIR
LINEAR X.X ± 0.1	FACES PARALLEL // 0.05/100	ANGULAR ∠ X ± 1° EDGES CHAMFERED 1.0 x 45°
LINEAR X. ± 0.25	FACES FLAT ▱ 0.05/100	GENERAL SURFACE FINISH Ra <sup>3.2</sup> √

REVISION CONTROL		

CHK / APPR:	PD
DATE:	
RPEQ DOCUMENT #:	
WEIGHT:	8.86Kg
MATERIAL:	VIRGIN PP
SURFACE TREATMENT:	

**Infrastructure Products Australia**  
 A CRH COMPANY

HEAD OFFICE: 1 REEVES COURT, BREAKWATER, VIC 3219, 1800 065 356  
 ENGINEERING & DEVELOPMENT: 91 STRADBROKE STREET, HEATHWOOD, QLD 4110, (07) 3714 0444

PART/PRODUCT #	50207710	QUOTE #		ORDER #	
REINFORCEMENT COMPUTATION		PIT #		ITEM TYPE	COMMUNICATIONS
CLIENT	CUBIS SYSTEMS				
PROJECT DESC	MONOBOX™ P5 PLASTIC PIT INJ TELSTRA APPROVED				
DRAWING NAME	MONOBOX™ P5 PLASTIC PIT INJ TELSTRA APPROVED				
DRAWING #	50207710	PAGE	1 / 1	SHEET SIZE	A3
SCALE	1:10	REV.	0		