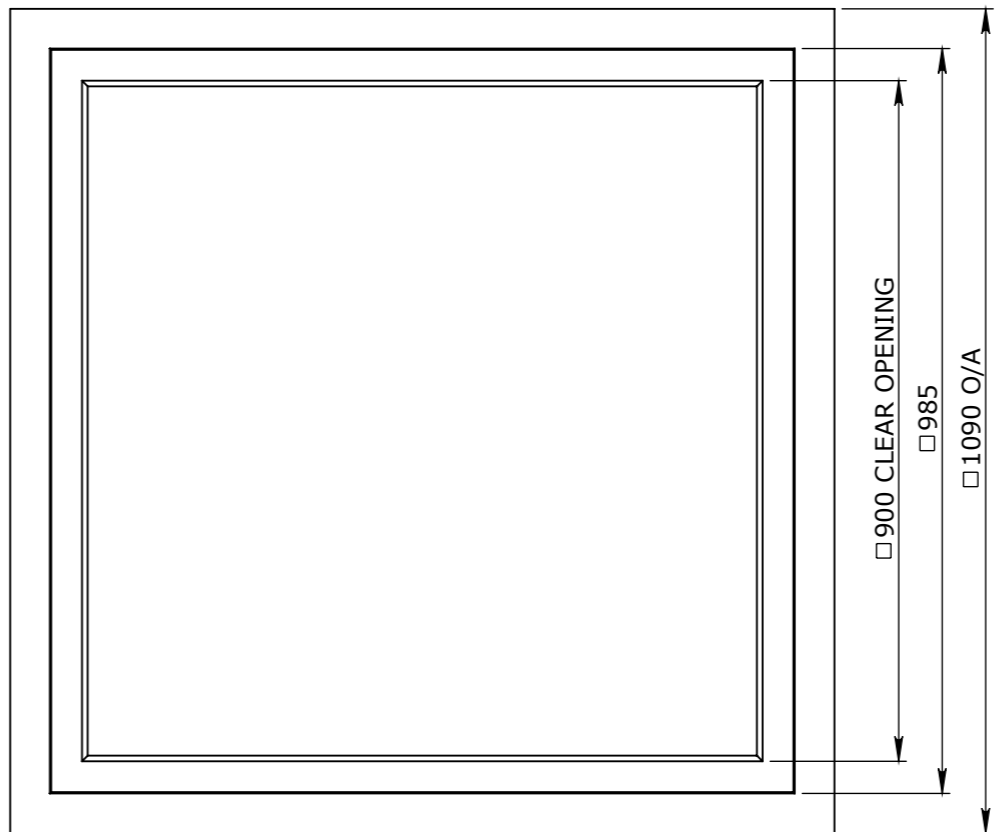


CONCRETE NOTE:

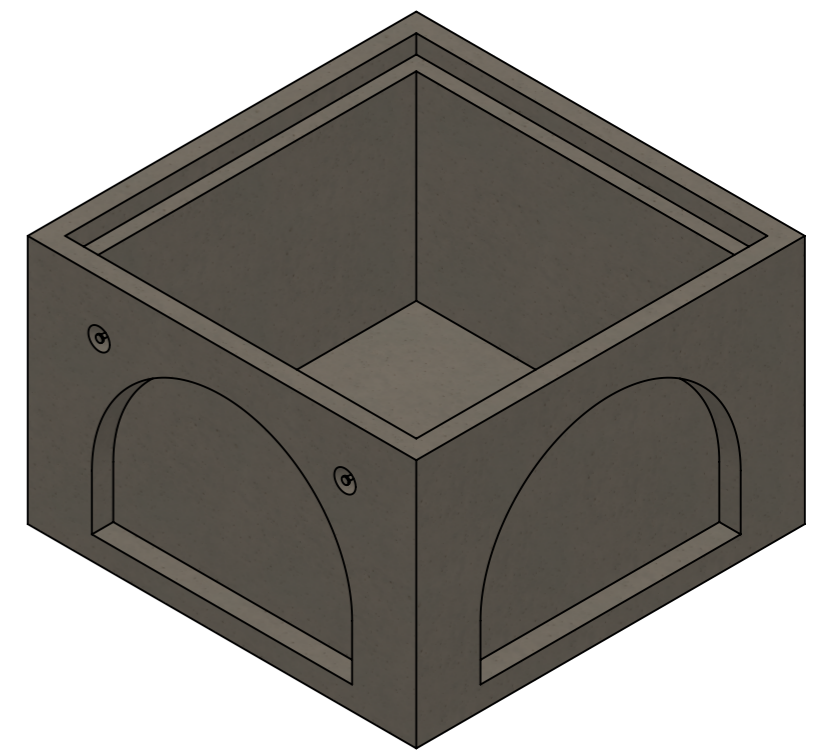
1. REFER TO GENERAL TOLERANCES UNO
2. STEEL & FIBRE REINFORCED CONCRETE - 40MPA
3. ALL LIFTING POINTS TO BE USED WHEN LIFTING
4. MINIMUM STRENGTH OF CONCRETE SHALL BE 25MPA AT THE TIME OF LIFTING
5. REFER TO BVCI-INS-C-001 (STD INSTALLATION GUIDE) FOR INSTALLATION DETAILS
6. REFER TO ANCON LIFTING ARRANGEMENT PLAN

BOM:50201647

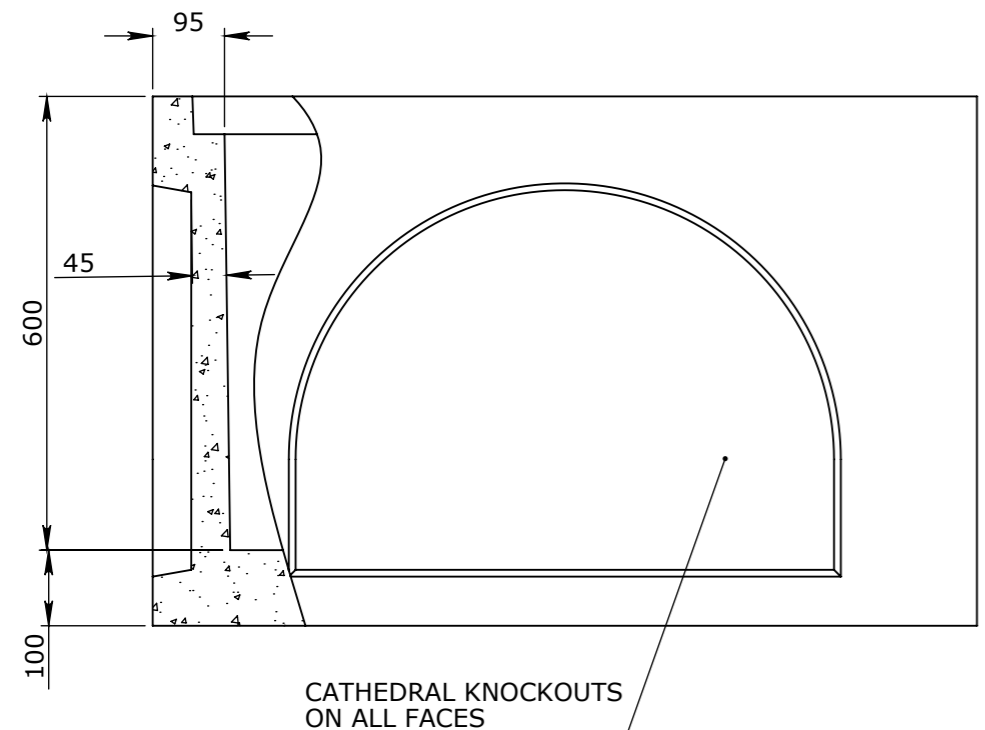
ITEM #	PART #	DESCRIPTION
1	50201647	PIT CONCRETE 900x900x600x100mm REBATE STORM WATER CLASS D



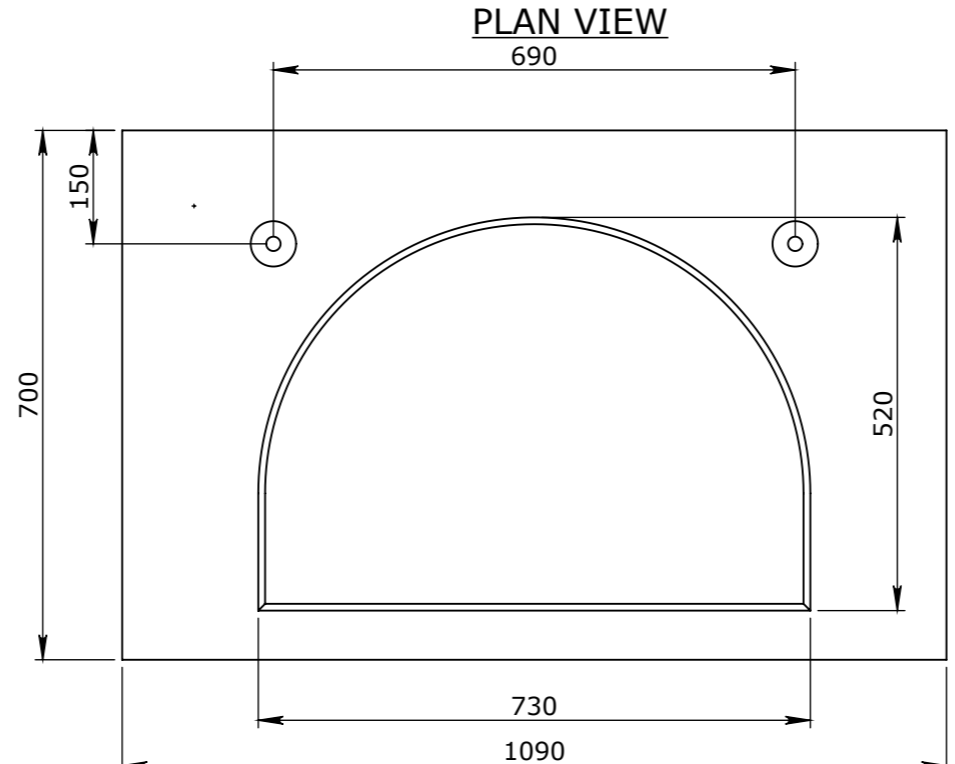
PLAN VIEW



ISOMETRIC VIEW



CATHEDRAL KNOCKOUTS ON ALL FACES



ELEVATION VIEW

UNCONTROLLED DOCUMENT END VIEW PRINTED

TOLERANCE NOTES:

1. CONCRETE TOLERANCES TO BE IN CONJUNCTION / ACCORDANCE WITH AS3600 - CONCRETE STRUCTURES
2. WHEN A BROOME FINISH IS REQUIRED THE GENERAL TOLERANCE SUPERCEEDS THE FLATNESS TOLERANCE
3. WALL THICKNESS - DIMENSION AS NOTED IS MINIMUM THICKNESS ONLY
4. CONCRETE GRADE - 40MPA UNLESS NOTED OTHERWISE
5. DIMENSIONS ARE NOT INCLUSIVE OF SEALANTS OF JOINTS
6. SURFACE FINISH - CLASS 4 (AS3610.1)

Rev	DESCRIPTION	DATE	BY	APPROVED
3				
2				
1				

GENERAL TOLERANCES		REVISION CONTROL	
NOMINAL:	UP TO 1000mm	1M AND ABOVE	FLATNESS: (NOT INCLUDING BROOME FINISH)
TOLERANCE:	±5mm	1mm IN 200mm UP TO A MAXIMUM OF 20mm	±4mm PER 1M WIDTH IN 1M LENGTH

CHK / APPR:	AC
DATE:	06/02/2018
RPEQ DOCUMENT #:	
WEIGHT:	689.01Kg
MATERIAL:	CONCRETE 40MPA
IRF REF:	

Infrastructure Products Australia
A CRH COMPANY

HEAD OFFICE:
1 REEVES COURT
BREAKWATER, VIC 3219
1800 065 356

ENGINEERING & DEVELOPMENT:
91 STRADBROKE STREET
HEATHWOOD, QLD 4110
(07) 3714 0444

DRAFTED DATE:	15/02/2016
DRAFTED BY:	
DATE LAST SAVED:	30/05/2023
LAST SAVED BY:	NBRADIC
DRAWN TO AS 1100 DO NOT SCALE FROM SHEET	

PART/PRODUCT #	50201647	QUOTE #		ORDER #	
REINFORCEMENT COMPUTATION		PIT #		ITEM TYPE	
CLIENT	CUBIS SYSTEMS/AUSPITS				
PROJECT DESC					
DRAWING NAME	PIT CONCRETE 900x900x600x100mm REBATE STORM WATER CLASS D				
DRAWING #	50201647	PAGE	1 / 1	SHEET SIZE	A3
SCALE	1:10	REV.	1		