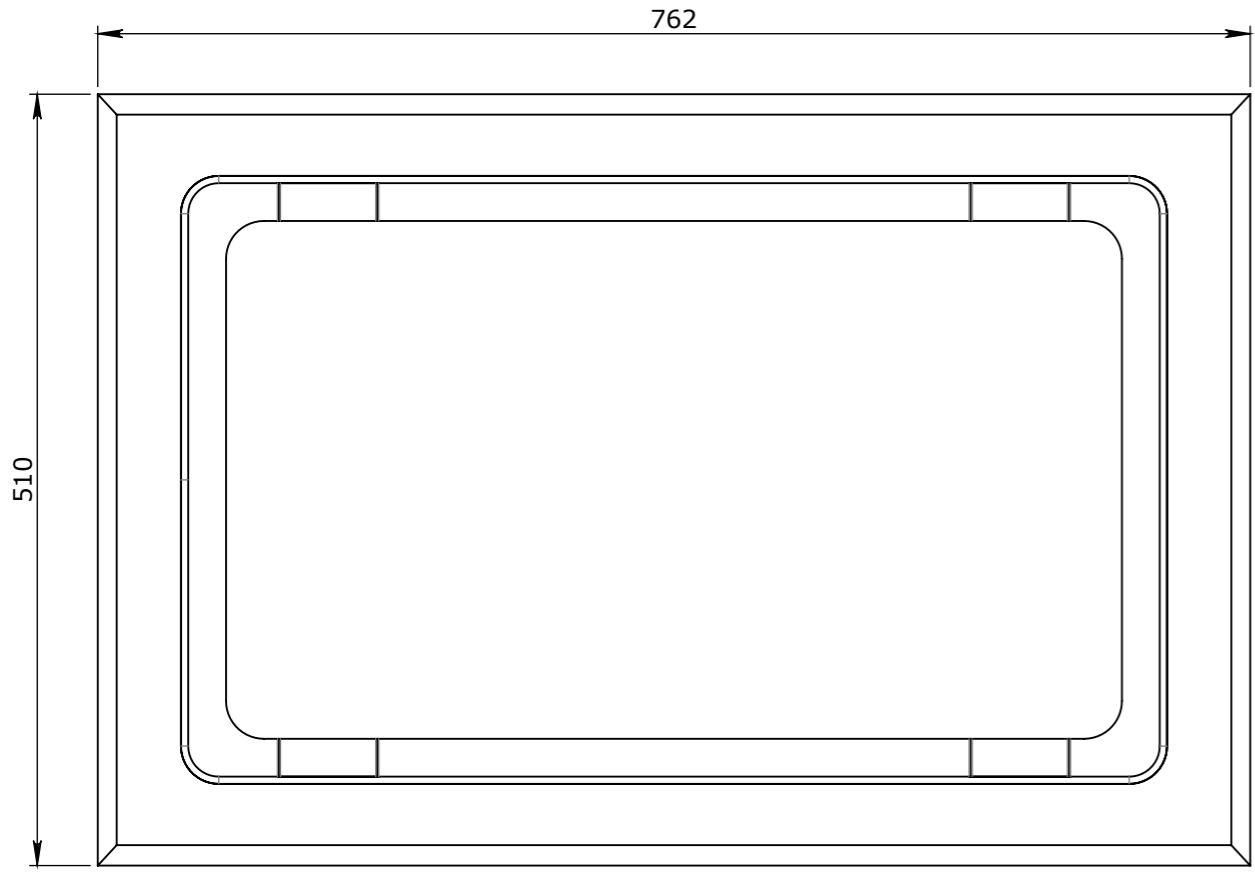


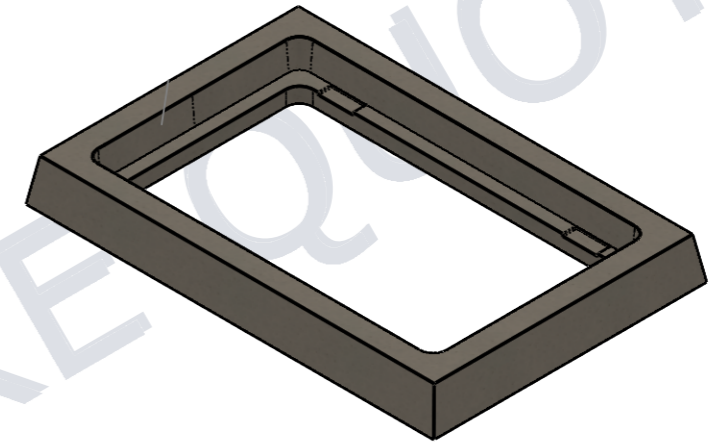
BOM:50201500

ITEM #	PART #	DESCRIPTION	WEIGHT
1	50201499	COLLAR CONCRETE P5	25.6

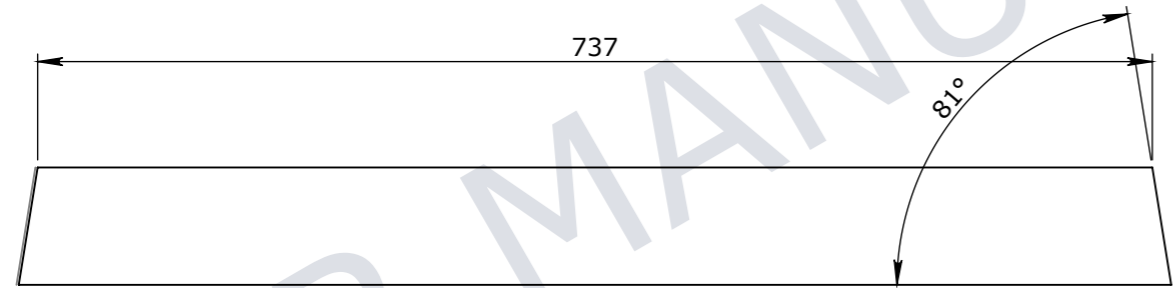


PLAN VIEW

SCALE 1:5

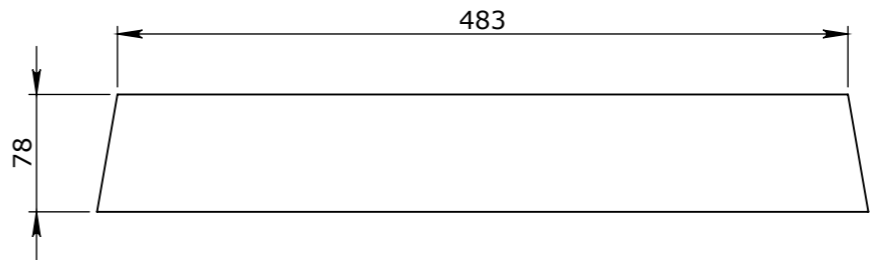


ISOMETRIC VIEW



ELEVATION VIEW

SCALE 1:5



END VIEW

SCALE 1:5

UNCONTROLLED DOCUMENT WHEN PRINTED

- TOLERANCE NOTES:**
1. CONCRETE TOLERANCES TO BE IN CONJUNCTION / ACCORDANCE WITH AS3600 - CONCRETE STRUCTURES
 2. WHEN A BROOM FINISH IS REQUIRED THE GENERAL TOLERANCE SUPERCEDES THE FLATNESS TOLERANCE
 3. WALL THICKNESS - DIMENSION AS NOTED IS MINIMUM THICKNESS ONLY
 4. CONCRETE GRADE - 40MPA UNLESS NOTED OTHERWISE
 5. DIMENSIONS ARE NOT INCLUSIVE OF SEALANTS OF JOINTS
 6. SURFACE FINISH - CLASS 4 (AS3610.1)

Rev	DESCRIPTION	DATE	BY	APPROVED
3	ERROR!:REVISION 3 DESCRIPTION	ERROR!:REVISION 3 DATE	ERROR!:REVISION 3 BY	ERROR!:REVISION 3 APPROVED
2	ERROR!:REVISION 2 DESCRIPTION	ERROR!:REVISION 2 DATE	ERROR!:REVISION 2 BY	ERROR!:REVISION 2 APPROVED
1	ERROR!:REVISION 1 DESCRIPTION	ERROR!:REVISION 1 DATE	ERROR!:REVISION 1 BY	ERROR!:REVISION 1 APPROVED

GENERAL TOLERANCES		REVISION CONTROL	
NOMINAL:	UP TO 1000mm	1M AND ABOVE	FLATNESS: (NOT INCLUDING BROOME FINISH)
TOLERANCE:	±5mm	1mm IN 200mm UP TO A MAXIMUM OF 20mm	±4mm PER 1M WIDTH IN 1M LENGTH

APPROVED BY	AC
APPROVED BY	AC
APPROVED BY	AC
DATE	
RPEQ DOCUMENT #:	
WEIGHT:	25.6Kg
MATERIAL:	CONCRETE 40MPA
IRF REF:	ERROR!:IRF #

Infrastructure Products Australia
A CRH COMPANY

HEAD OFFICE:
1 REEVES COURT
BREAKWATER, VIC 3219
1800 065 356

ENGINEERING & DEVELOPMENT:
91 STRADBROKE STREET
HEATHWOOD, QLD 4110
(07) 3714 0444

DRAFTED DATE:	23/02/2023
DRAFTED BY:	N.BRADIC
DATE LAST SAVED:	23/02/2023
LAST SAVED BY:	CABEYSINGH
DRAWN TO AS 1100 DO NOT SCALE FROM SHEET	

PART/PRODUCT #	50201500	QUOTE #	ERROR!:QUO	ORDER #	ERROR!:ORD
REINFORCEMENT COMPUTATION		PIT NO	ERROR!:PIT	PRODUCT TYPE	ERROR!:PRO
COMP		No			
PROJECT DESC	COLLAR CONCRETE P5				
DRAWING NAME					
DRAWING #	50201500	PAGE	1 / 1	SHEET SIZE	A3
SCALE	1:10	REV. 0			