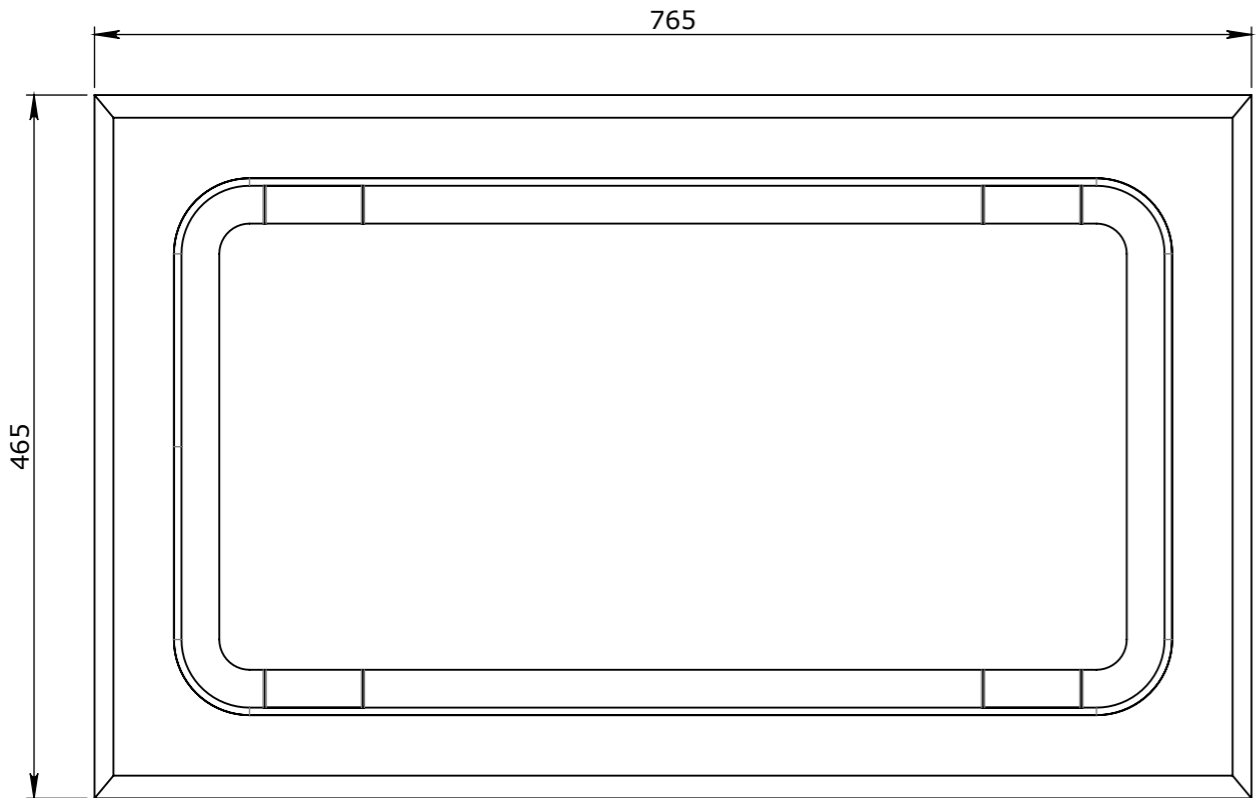


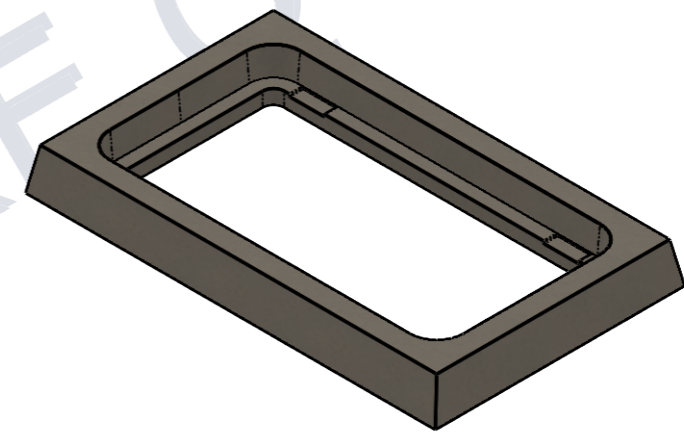
**BOM:50201499**

ITEM #	PART #	DESCRIPTION	WEIGHT
1	50201499	COLLAR CONCRETE P4	23.9

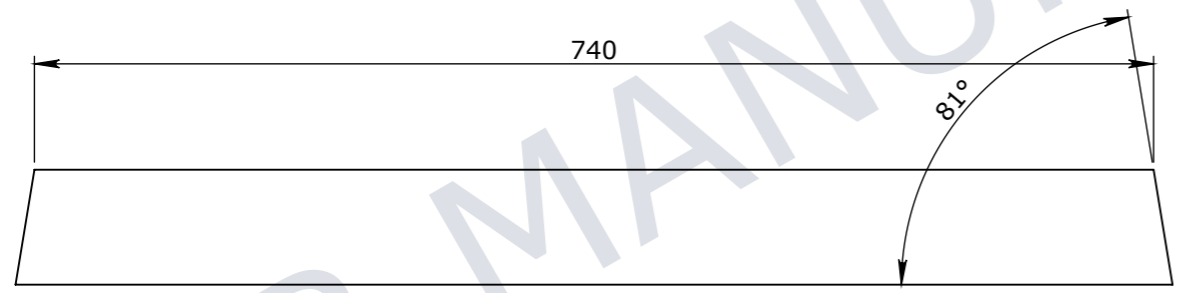


PLAN VIEW

SCALE\_1:5

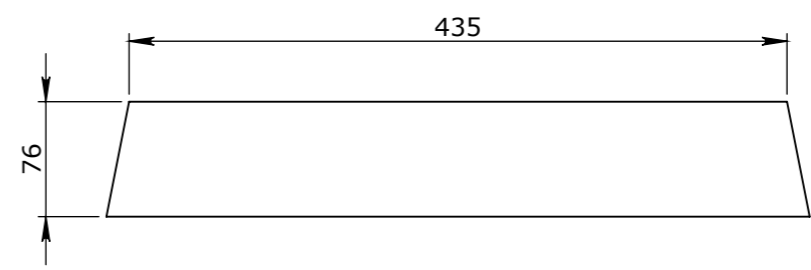


ISOMETRIC VIEW



ELEVATION VIEW

SCALE\_1:5



END VIEW

SCALE\_1:5

UNCONTROLLED DOCUMENT WHEN PRINTED

- TOLERANCE NOTES:**
1. CONCRETE TOLERANCES TO BE IN CONJUNCTION / ACCORDANCE WITH AS3600 - CONCRETE STRUCTURES
  2. WHEN A BROOM FINISH IS REQUIRED THE GENERAL TOLERANCE SUPERCEDES THE FLATNESS TOLERANCE
  3. WALL THICKNESS - DIMENSION AS NOTED IS MINIMUM THICKNESS ONLY
  4. CONCRETE GRADE - 40MPA UNLESS NOTED OTHERWISE
  5. DIMENSIONS ARE NOT INCLUSIVE OF SEALANTS OF JOINTS
  6. SURFACE FINISH - CLASS 4 (AS3610.1)

Rev	DESCRIPTION	DATE	BY	APPROVED	RPEQ DOCUMENT #:
3	ERROR!:REVISION 3 DESCRIPTION	ERROR!:REVISION 3 DATE	ERROR!:REVISION 3 BY	ERROR!:REVISION 3 APPROVED	ERROR!:REVISION 3 RPEQ DOCUMENT #:
2	ERROR!:REVISION 2 DESCRIPTION	ERROR!:REVISION 2 DATE	ERROR!:REVISION 2 BY	ERROR!:REVISION 2 APPROVED	ERROR!:REVISION 2 RPEQ DOCUMENT #:
1	ERROR!:REVISION 1 DESCRIPTION	ERROR!:REVISION 1 DATE	ERROR!:REVISION 1 BY	ERROR!:REVISION 1 APPROVED	ERROR!:REVISION 1 RPEQ DOCUMENT #:

GENERAL TOLERANCES		REVISION CONTROL	
NOMINAL:	UP TO 1000mm	1M AND ABOVE	FLATNESS: (NOT INCLUDING BROOME FINISH)
TOLERANCE:	±5mm	1mm IN 200mm UP TO A MAXIMUM OF 20mm	±4mm PER 1M WIDTH IN 1M LENGTH

WEIGHT:	23.9Kg
MATERIAL:	CONCRETE 40MPA
IRF REF:	ERROR!:IRF #

**Infrastructure Products Australia**  
A CRH COMPANY

HEAD OFFICE: 1 REEVES COURT, BREAKWATER, VIC 3219, 1800 065 356

ENGINEERING & DEVELOPMENT: 91 STRADBROKE STREET, HEATHWOOD, QLD 4110, (07) 3714 0444

DRAFTED DATE:	23/02/2023	PART/PRODUCT #	50201499	QUOTE #	ERROR!:QUO	ORDER #	ERROR!:ORD
DRAFTED BY:	N.BRADIC	REINFORCEMENT COMPUTATION	COMP	PIT NO	ERROR!:PIT	PRODUCT TYPE	ERROR!:PRO
DATE LAST SAVED:	23/02/2023	PROJECT DESC	COLLAR CONCRETE P4	No			
LAST SAVED BY:	CABEYSINGH	DRAWING NAME					
DRAWN TO AS 1100 DO NOT SCALE FROM SHEET		DRAWING #	50201499	PAGE	1 / 1	SHEET SIZE	A3
		SCALE	1:10				
		REV.	0				