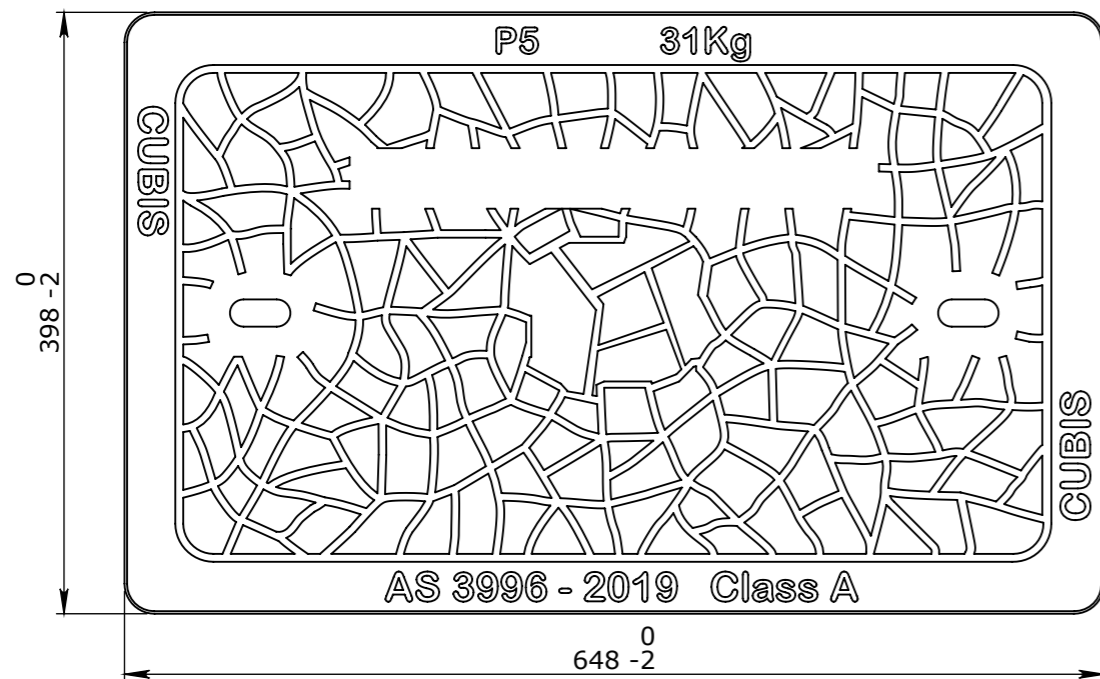


CONCRETE PRODUCT NOTE:

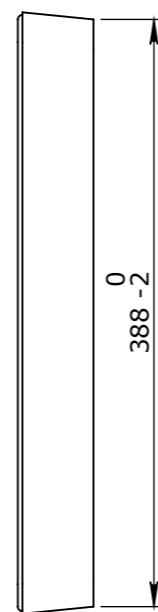
1. REFER TO GENERAL TOLERANCES UNO
2. GRADE OF CONCRETE - 40MPA
3. COVER TO REINFORCEMENT TO BE 50mm
4. CONCRETE VOLUME (M³) = [0.011]

BOM:50201447

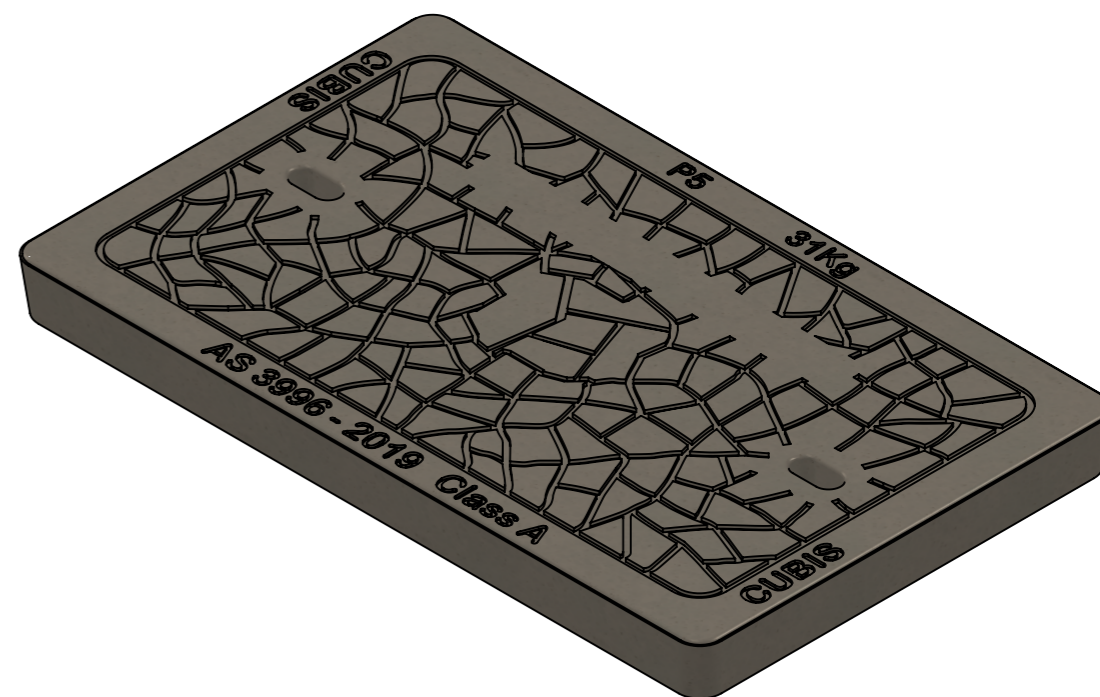
ITEM #	QTY.	PART#	DESCRIPTION	MATERIAL	VOLUME
1	1	50201265	CONCRETE 40Mpa	CONCRETE 40MPa	0.011
2	2	50201206	PLATE COVER LIFTING HOLE ZP	MS GR-250	



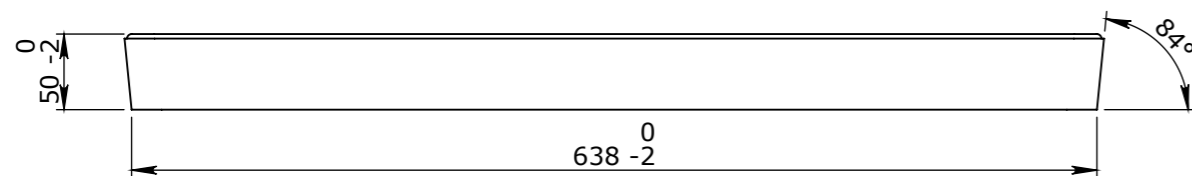
PLAN VIEW



END VIEW



ISOMETRIC VIEW



ELEVATION VIEW

UNCONTROLLED DOCUMENT WHEN PRINTED

TOLERANCE NOTES:

1. CONCRETE TOLERANCES TO BE IN CONJUNCTION / ACCORDANCE WITH AS3600 - CONCRETE STRUCTURES
2. WHEN A BROOME FINISH IS REQUIRED THE GENERAL TOLERANCE SUPERCEEDS THE FLATNESS TOLERANCE
3. WALL THICKNESS - DIMENSION AS NOTED IS MINIMUM THICKNESS ONLY
4. CONCRETE GRADE - 40MPA UNLESS NOTED OTHERWISE
5. DIMENSIONS ARE NOT INCLUSIVE OF SEALANTS OF JOINTS
6. SURFACE FINISH - CLASS 4 (AS3610.1)

Rev	DESCRIPTION	DATE	BY	APPROVED
3				
2				
1				

GENERAL TOLERANCES		REVISION CONTROL	
NOMINAL:	UP TO 1000mm	1M AND ABOVE	FLATNESS: (NOT INCLUDING BROOME FINISH)
TOLERANCE:	±5mm	1mm IN 200mm UP TO A MAXIMUM OF 20mm	±4mm PER 1M WIDTH IN 1M LENGTH

CHK / APPR: Abeyasingh	DATE: Chanaka
RPEQ DOCUMENT #:	
WEIGHT:	31Kg
MATERIAL:	CONCRETE 40MPA
IRF REF:	

Infrastructure Products Australia
A CRH COMPANY

HEAD OFFICE:
1 REEVES COURT
BREAKWATER, VIC 3219
1800 065 356

ENGINEERING & DEVELOPMENT:
91 STRADBROKE STREET
HEATHWOOD, QLD 4110
(07) 3714 0444

DRAFTED DATE:	15/09/2020
DRAFTED BY:	A. CHAO
DATE LAST SAVED:	25/11/2022
LAST SAVED BY:	NBRADIC
DRAWN TO AS 1100 DO NOT SCALE FROM SHEET	

PART/PRODUCT #	50201444	QUOTE #		ORDER #	
REINFORCEMENT COMPUTATION		PIT #		ITEM TYPE	COVER
CLIENT	CUBIS SYSTEMS/AUSPITS				
PROJECT DESC					
DRAWING NAME	AX S™ P5 COVER CONCRETE PLAIN CLASS A				REV.
DRAWING #	50201447	PAGE	1 / 1	SHEET SIZE	A3
SCALE	1:5				