

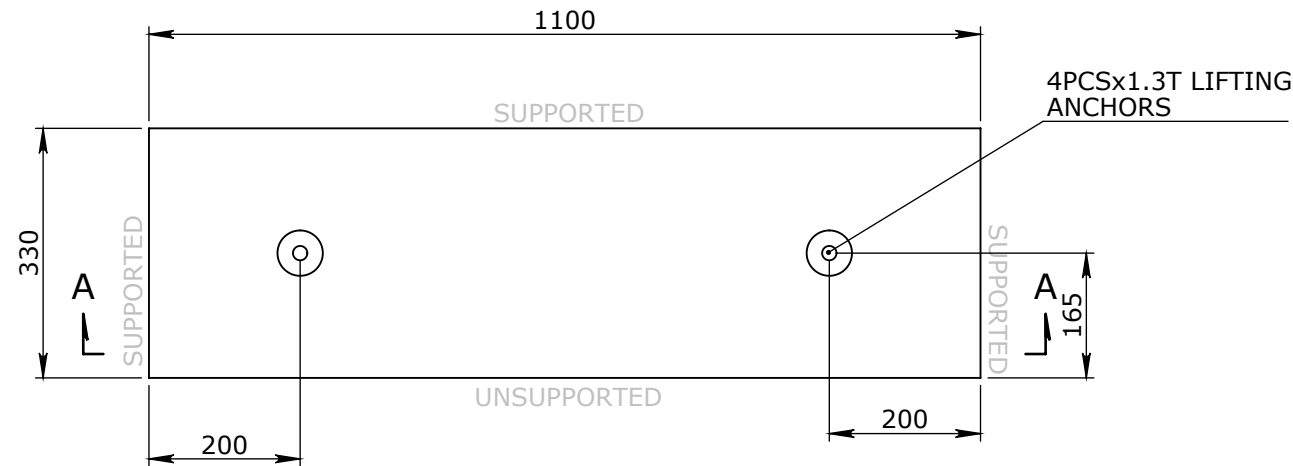
GENERAL NOTES:

1. CONCRETE GRADE TO BE 50 MPA MINIMUM
2. DESIGN LIFE OF 50 YEARS
MINIMUM EXPOSURE CLASSIFICATION - B2
MINIMUM COVER TO REINFORCEMENT - 40mm
3. DESIGN LIFE OF 100 YEARS
MINIMUM EXPOSURE CLASSIFICATION - B1
MINIMUM COVER TO REINFORCEMENT - 40mm
4. DESIGN CAPACITY OF PITS WITH CLASS L REINFORCEMENT HAS BEEN REDUCED 20%
5. ALLOWABLE SOIL BEARING PRESSURE IS 100KPA
6. TOP REBATE TO SUIT RISER SHALL BE ACCORDING TO THE PIT ASSEMBLY DRAWINGS

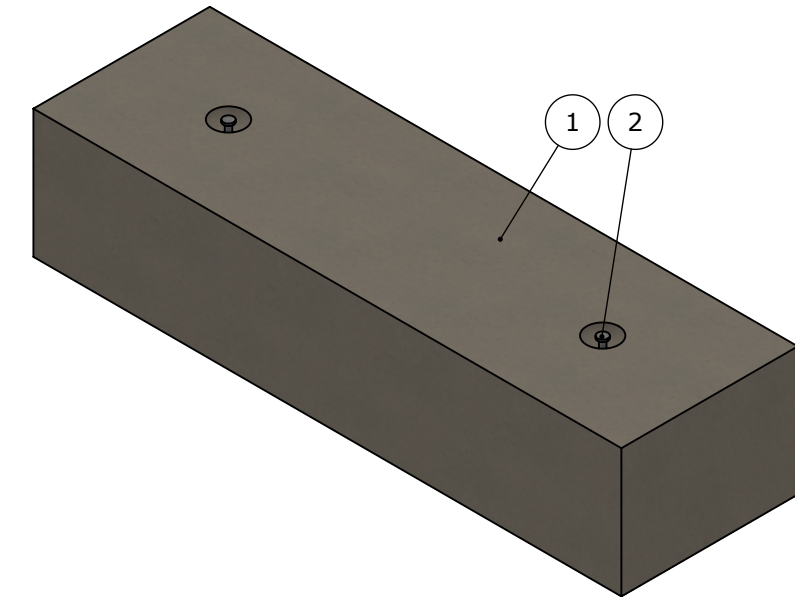
BOM:50203869

| ITEM # | QTY. | DESCRIPTION | MATERIAL |
|--------|------|--------------------------------------|----------------|
| 1 | 1 | CORBEL WITH GROUT TUBES 1100x330x240 | CONCRETE 50MPa |
| 2 | 2 | FOOT ANCHOR 1.3Tx120mm | MS GR-250 GALV |

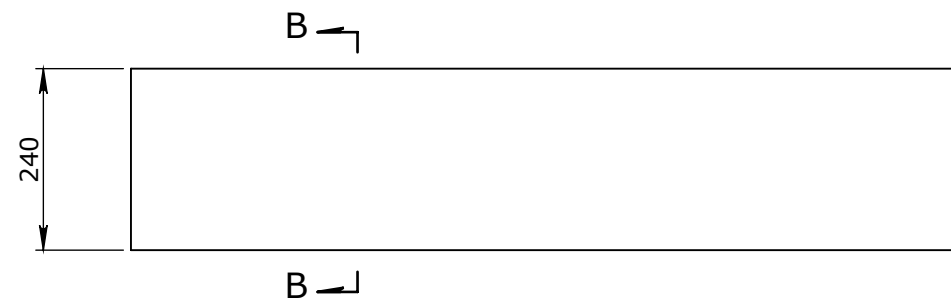
**RMS / 300LA & CLASS D / UP TO 4m DEPTH
CORBEL WITH GROUT TUBES 1100x330x240**



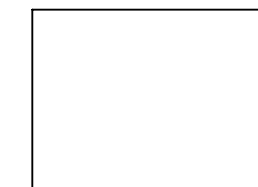
PLAN VIEW



ISOMETRIC VIEW



SECTION A-A



SECTION B-B

ISSUED FOR CONSTRUCTION

- TOLERANCE NOTES:**
1. CONCRETE TOLERANCES TO BE IN CONJUNCTION / ACCORDANCE WITH AS3600 - CONCRETE STRUCTURES
 2. WHEN A BROOME FINISH IS REQUIRED THE GENERAL TOLERANCE SUPERCEEDS THE FLATNESS TOLERANCE
 3. WALL THICKNESS - DIMENSION AS NOTED IS MINIMUM THICKNESS ONLY
 4. CONCRETE GRADE - 40MPa UNLESS NOTED OTHERWISE
 5. DIMENSIONS ARE NOT INCLUSIVE OF SEALANTS OF JOINTS
 6. SURFACE FINISH - CLASS 4 (AS3610.1)

| Rev. | DESCRIPTION | DATE | BY | APPROVED |
|------|-------------|------|----|----------|
| 3 | | | | |
| 2 | | | | |
| 1 | | | | |

| GENERAL TOLERANCES | | REVISION CONTROL | |
|--------------------|--------------|--------------------------------------|---|
| NOMINAL: | UP TO 1000mm | 1M AND ABOVE | FLATNESS: (NOT INCLUDING BROOME FINISH) |
| TOLERANCE: | ±5mm | 1mm IN 200mm UP TO A MAXIMUM OF 20mm | ±4mm PER 1M WIDTH IN 1M LENGTH |

| | |
|------------------|----------------|
| CHK / APPR: | C |
| DATE: | |
| RPEQ DOCUMENT #: | |
| WEIGHT: | 213Kg |
| MATERIAL: | CONCRETE 50MPa |
| IRF REF: | |

Aus Pits

HEAD OFFICE:
1/1 REEVES COURT, BREAKWATER, VIC 3219
P: (03) 5222 4526; F: (03) 5222 1914

THE INFORMATION DISCLOSED IN THIS DOCUMENT IS CONFIDENTIAL AND IS NOT WITHOUT THE EXPRESS CONSENT OF AUSPITS AUSTRALIA TO BE COPIED, REPRODUCED, OR GIVEN TO ANY OTHER PARTY IN ANY FORM AND THAT ALL COPYRIGHT, DESIGNS AND PATENTS VEST IN AUSPITS AUSTRALIA

| | |
|---|------------|
| DRAFTED DATE: | 30/06/2020 |
| DRAFTED BY: | MLEE |
| DATE LAST SAVED: | 24/08/2020 |
| LAST SAVED BY: | MLEE |
| DRAWN TO AS 1100 DO NOT SCALE FROM SHEET | |

| | | |
|---------------------------|--|---------------|
| PART/PRODUCT # | QUOTE # | ORDER # |
| REINFORCEMENT COMPUTATION | PIT # | ITEM TYPE |
| CLIENT | PROJECT DESC CORBEL (VIC - 300LA & CLASS D) | |
| ENGINEERING COMPUTATION | DRAWING # | REV. A |
| 50203869 | PAGE 1 / 1 | SHEET SIZE A3 |
| | SCALE 1:10 | |