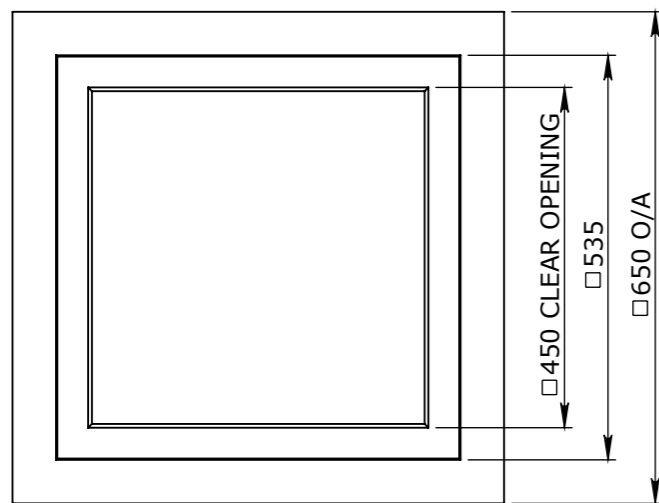


**CONCRETE NOTE:**

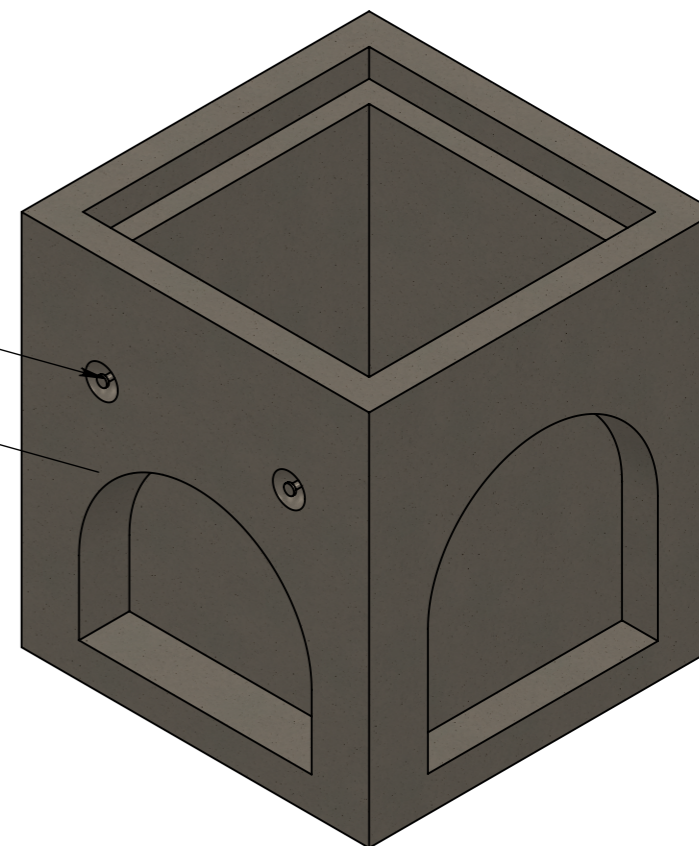
1. REFER TO GENERAL TOLERANCES UNO
2. STEEL & FIBRE REINFORCED CONCRETE - 40MPA
3. ALL LIFTING POINTS TO BE USED WHEN LIFTING
4. MINIMUM STRENGTH OF CONCRETE SHALL BE 25MPA AT THE TIME OF LIFTING
5. REFER TO BVCI-INS-C-001 (STD INSTALLATION GUIDE) FOR INSTALLATION DETAILS
6. REFER TO ANCON LIFTING ARRANGEMENT PLAN

**BOM:50201626**

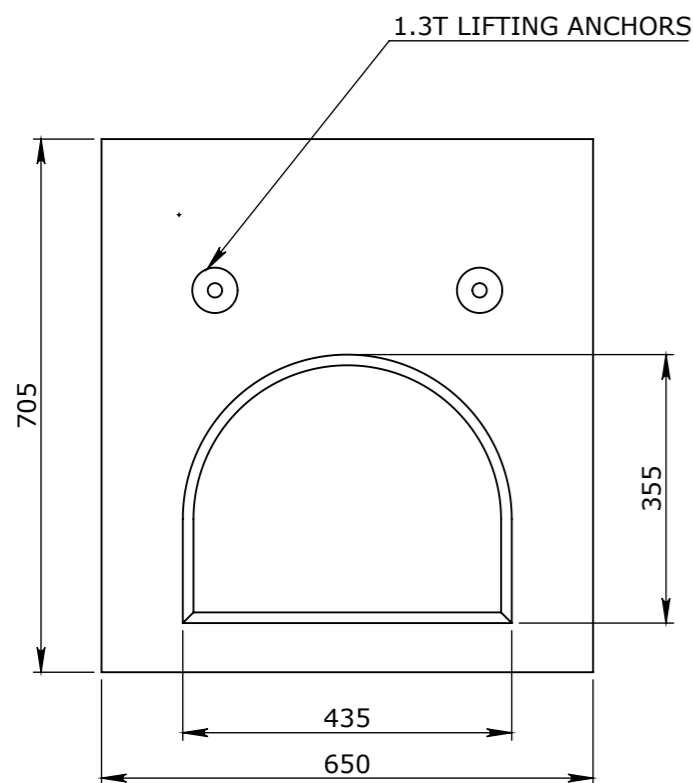
ITEM #	QTY.	PART #	DESCRIPTION	WEIGHT
1	1	50201626	PIT CONCRETE 450x450x600x100mm REBATE STORM WATER CLASS D	1065.21
2	4	50201274	FOOT ANCHOR ZP 1.3Tx65mm	0



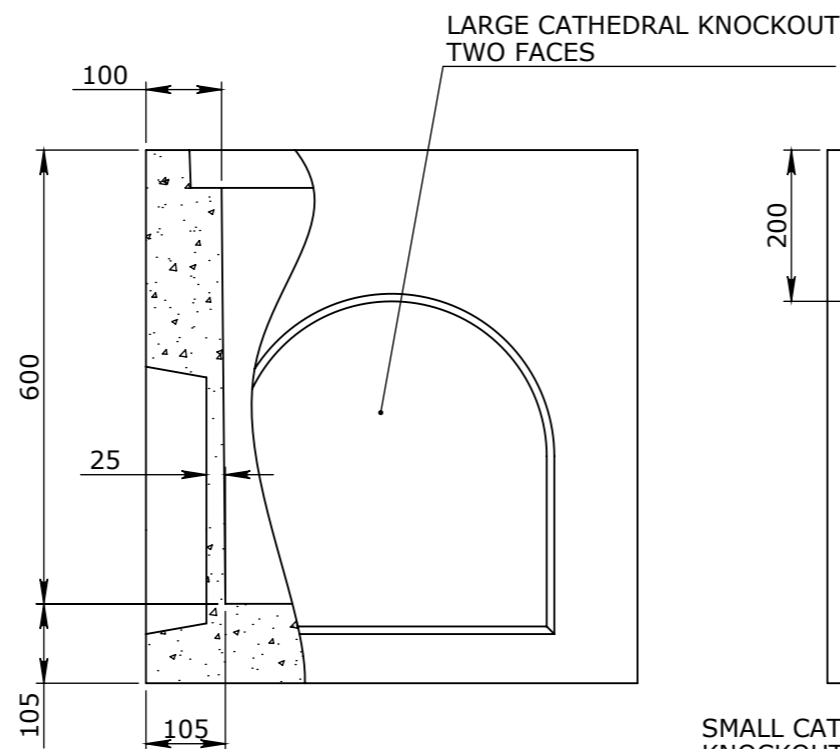
**PLAN VIEW**



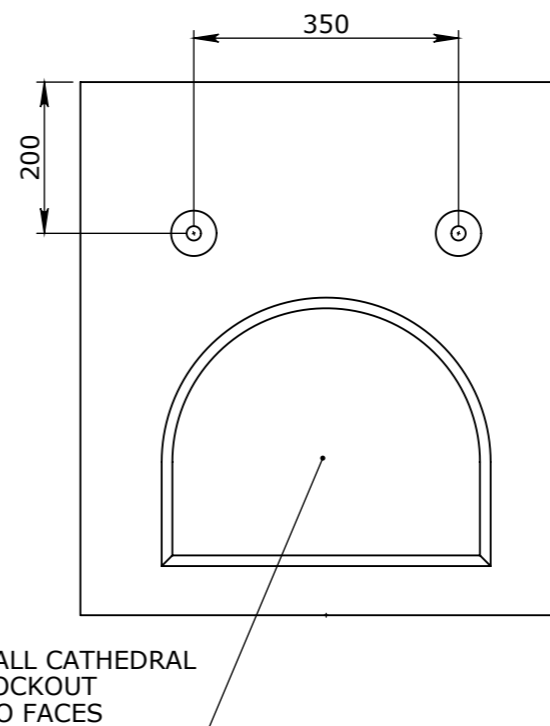
**ISOMETRIC VIEW**



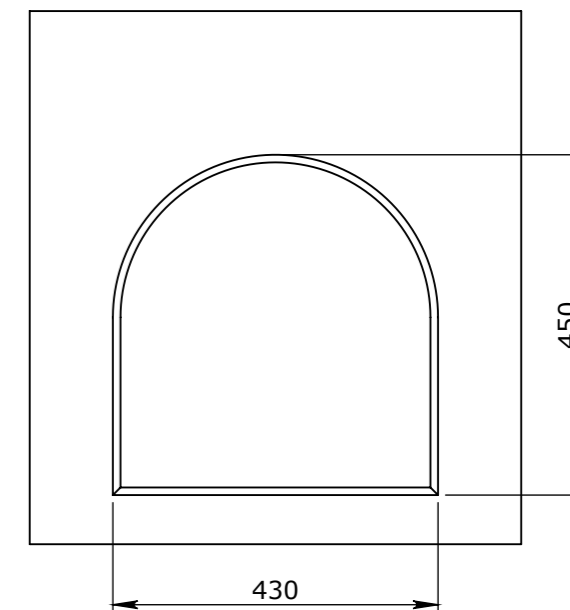
**SOUTH FACE**



**WEST FACE**



**NORTH FACE**



**EAST FACE**

- TOLERANCE NOTES:**
1. CONCRETE TOLERANCES TO BE INCONJUNCTION / ACCORDANCE WITH AS3600 - CONCRETE STRUCTURES
  2. WHEN A BROOME FINISH IS REQUIRED THE GENERAL TOLERANCE SUPERCEEDS THE FLATNESS TOLERANCE
  3. WALL THICKNESS - DIMENSION AS NOTED IS MINIMUM THICKNESS ONLY
  4. CONCRETE GRADE - 40MPA UNLESS NOTED OTHERWISE
  5. DIMENSIONS ARE NOT INCLUSIVE OF SEALANTS OF JOINTS
  6. SURFACE FINISH - CLASS 4 (AS3610.1)

Rev	DESCRIPTION	DATE	BY	APPROVED
3				
2				
1				

GENERAL TOLERANCES		REVISION CONTROL	
NOMINAL:	UP TO 1000mm	1M AND ABOVE	FLATNESS: (NOT INCLUDING BROOME FINISH)
TOLERANCE:	±5mm	1mm IN 200mm UP TO A MAXIMUM OF 20mm	±4mm PER 1M WIDTH IN 1M LENGTH

CHK / APPR:	C.All
DATE:	28/05/2018
RPEQ DOCUMENT #:	
WEIGHT:	1065.21Kg
MATERIAL:	MS GR-250 GALV

HEAD OFFICE:  
CARNINGHAM ROAD  
BALLARAT, VIC 3351  
(03) 5335 8741

ENGINEERING & DEVELOPMENT:  
2 STRADBROKE STREET  
HEATHWOOD, QLD 4110  
(07) 3714 0444

THE INFORMATION DISCLOSED IN THIS DOCUMENT IS CONFIDENTIAL AND IS NOT WITHOUT THE EXPRESS CONSENT OF CUBIS SYSTEMS AUSTRALIA TO BE COPIED, REPRODUCED, OR GIVEN TO ANY OTHER PARTY IN ANY FORM AND THAT ALL COPYRIGHT, DESIGNS AND PATENTS VEST IN CUBIS SYSTEMS AUS.

DRAFTED DATE:	15/02/2016
DRAFTED BY:	
DATE LAST SAVED:	9/09/2022
LAST SAVED BY:	nbradic
DRAWN TO AS 1100	DO NOT SCALE FROM SHEET

PROJECT:	CUBIS SYSTEMS CATALOGUE STORMWATER RANGE CONCRETE SERIES		
NAME:	PIT CONCRETE 450x450x600x100mm REBATE STORM WATER CLASS D		
DRAWING No:	50201626	REV	<b>A</b>
PROJECT / CATALOGUE CODE:	PAGE:	SHEET:	SCALE UNO:
	1 / 1	A3	1:10