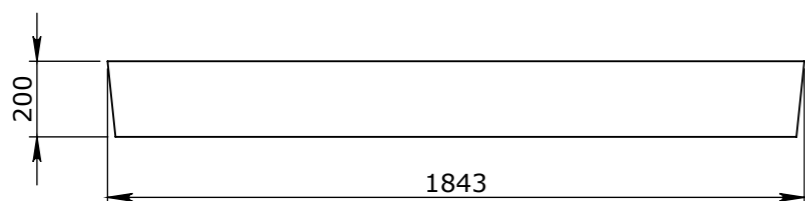
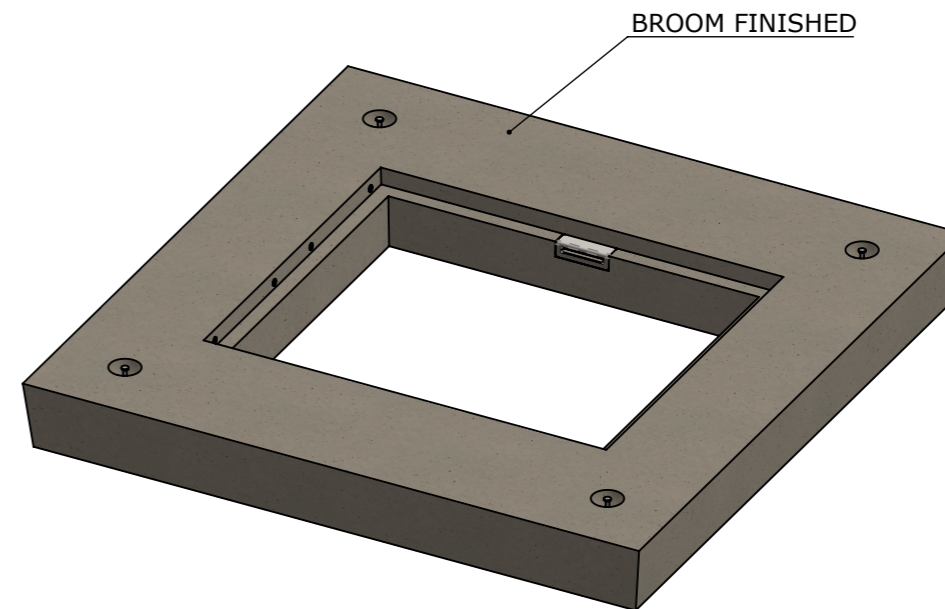
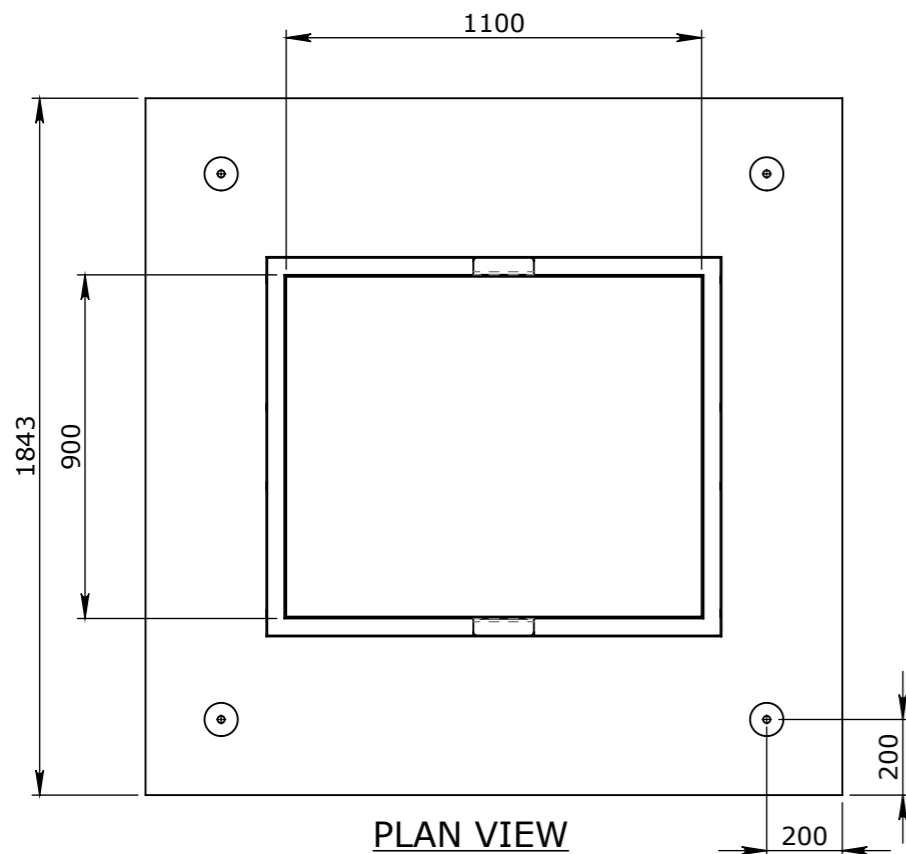


CONCRETE NOTE:

1. REFER TO GENERAL TOLERANCES UNO
2. GRADE OF CONCRETE - 40MPA CONCRETE
3. ALL LIFTING POINTS TO BE USED WHEN LIFTING
4. MINIMUM STRENGTH OF CONCRETE SHALL BE 25MPA AT THE TIME OF LIFTING
5. REFER TO CUBIS SYSTEMS_PRECAST INSTALLATION GUIDE_2019 FOR INSTALLATION DETAILS
6. REFER TO ANCON LIFTING ARRANGEMENT PLAN

BOM:50202436_ENCASUREMENT 1500x1500x200 TO SUIT SL1 911 COVER CLASS D

ITEM #	QTY.	PART #	DESCRIPTION	LENGTH	MATERIAL	VOLUME
1	8	50201048	FERRULE ZP M12x50mm C/W 10mm HOLE	123.9	MS GR-250 ZP	
2	4	50201090	FOOT ANCHOR ZP 1.3Tx120mm	4000	MS GR-250 GALV	
3	1	50201039	CONCRETE FIBRE 40MPa	1843	CONCRETE 40MPa	0.45
4	2	50202447	CATCH BOX TO SUIT SL1 & SL2	70	CONCRETE 40MPa	



ISSUED FOR CLIENT REVIEW ONLY

ISSUE	DATE	CLIENT APPROVAL
A	9/06/2022	

UNCONTROLLED DOCUMENT WHEN PRINTED

- TOLERANCE NOTES:**
1. CONCRETE TOLERANCES TO BE IN CONJUNCTION / ACCORDANCE WITH AS3600 - CONCRETE STRUCTURES
 2. WHEN A BROOM FINISH IS REQUIRED THE GENERAL TOLERANCE SUPERCEDES THE FLATNESS TOLERANCE
 3. WALL THICKNESS - DIMENSION AS NOTED IS MINIMUM THICKNESS ONLY
 4. CONCRETE GRADE - 40MPA UNLESS NOTED OTHERWISE
 5. DIMENSIONS ARE NOT INCLUSIVE OF SEALANTS OF JOINTS
 6. SURFACE FINISH - CLASS 4 (AS3610.1)

Rev	DESCRIPTION	DATE	BY	APPROVED
3				
2				
1				

GENERAL TOLERANCES		REVISION CONTROL	
NOMINAL:	UP TO 1000mm	1M AND ABOVE	FLATNESS: (NOT INCLUDING BROOME FINISH)
TOLERANCE:	±5mm	1mm IN 200mm UP TO A MAXIMUM OF 20mm	±4mm PER 1M WIDTH IN 1M LENGTH

CHK / APPR: chanaka	RPEQ DOCUMENT #:
DATE: Aneysingh	
DATE: e	
WEIGHT: 1110.25Kg	
MATERIAL: 40MPA CONCRETE	
IRF REF:	

Infrastructure Products Australia
A CRH COMPANY

HEAD OFFICE: 1 REEVES COURT
BREAKWATER, VIC 3219
1800 065 356

ENGINEERING & DEVELOPMENT: 91 STRADBROKE STREET
HEATHWOOD, QLD 4110
(07) 3714 0444

DRAFTED DATE: 9/06/2022	DRAWN TO AS 1100 DO NOT SCALE FROM SHEET
DRAFTED BY: N.BRADIC	
DATE LAST SAVED: 9/06/2022	
LAST SAVED BY: NBRADIC	

PART/PRODUCT # 50204350	QUOTE #	ORDER #
REINFORCEMENT COMPUTATION	PIT #	ITEM TYPE
CLIENT CUBIS SYSTEMS	PROJECT DESC ENCASUREMENT 1500x1500x200 TO SUIT SL1 911 COVER CLASS D	
DRAWING NAME ENCASUREMENT 1500x1500x200 TO SUIT SL1 911 COVER CLASS D	DRAWING # 50202436	REV. A
PAGE 1 / 1	SHEET SIZE A3	SCALE 1:20