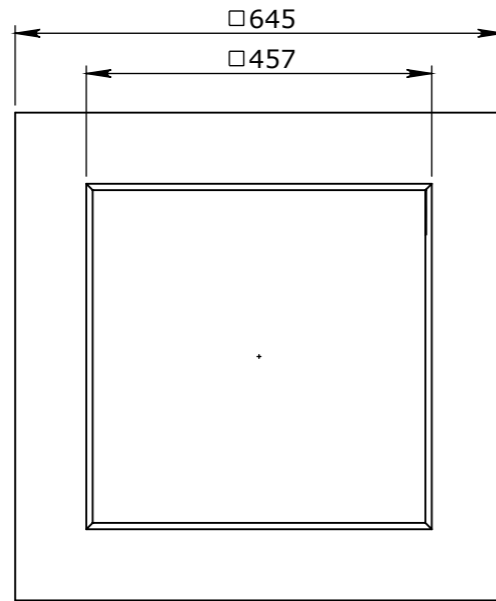


CONCRETE NOTE:

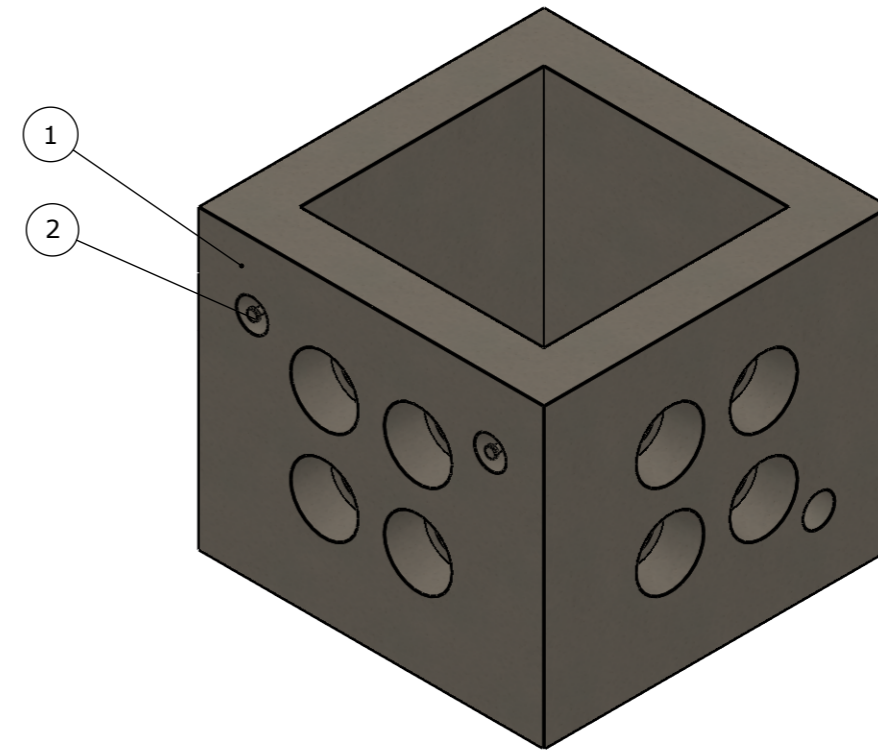
1. REFER TO GENERAL TOLERANCES UNO
2. STEEL & FIBRE REINFORCED CONCRETE - 40MPA
3. ALL LIFTING POINTS TO BE USED WHEN LIFTING
4. MINIMUM STRENGTH OF CONCRETE SHALL BE 25MPA AT THE TIME OF LIFTING
5. REFER TO BVCI-INS-C-001 (STD INSTALLATION GUIDE) FOR INSTALLATION DETAILS
6. REFER TO ANCON LIFTING ARRANGEMENT PLAN

BOM:50201551

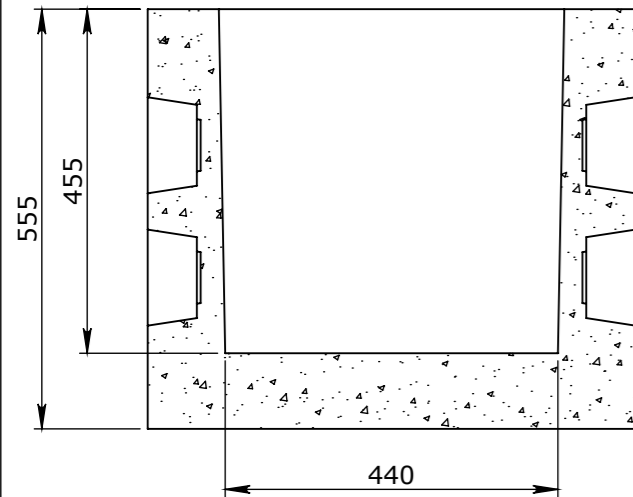
| ITEM # | QTY. | PART # | DESCRIPTION | WEIGHT |
|--------|------|----------|--|--------|
| 1 | 1 | 50201551 | PIT CONCRETE 450x450x450x100mm CLASS D | 312.14 |
| 2 | 4 | 50201274 | FOOT ANCHOR ZP 1.3Tx65mm | 0 |



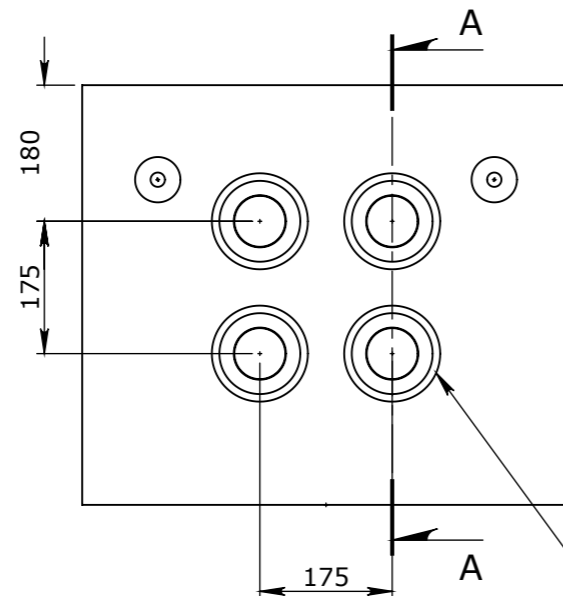
PLAN VIEW



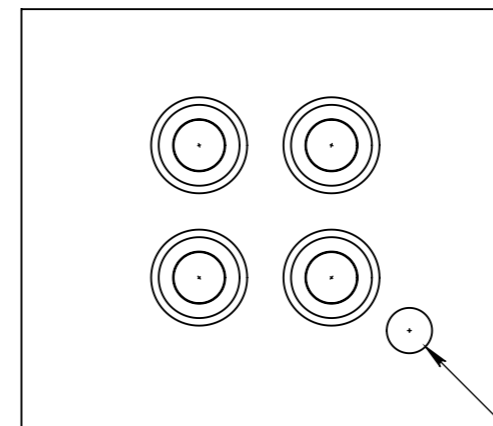
ISOMETRIC VIEW



SECTION A-A



ELEVATION VIEW



END VIEW

KNOCKOUT ARRANGEMENT ON ALL FACES

1X Ø60 DRAIN HOLE (LOCATED ON BOTTOM CORNER)

UNCONTROLLED DOCUMENT WHEN PRINTED

- TOLERANCE NOTES:**
1. CONCRETE TOLERANCES TO BE IN CONJUNCTION / ACCORDANCE WITH AS3600 - CONCRETE STRUCTURES
 2. WHEN A BROOM FINISH IS REQUIRED THE GENERAL TOLERANCE SUPERCEDES THE FLATNESS TOLERANCE
 3. WALL THICKNESS - DIMENSION AS NOTED IS MINIMUM THICKNESS ONLY
 4. CONCRETE GRADE - 40MPA UNLESS NOTED OTHERWISE
 5. DIMENSIONS ARE NOT INCLUSIVE OF SEALANTS OF JOINTS
 6. SURFACE FINISH - CLASS 4 (AS3610.1)

| Rev | DESCRIPTION | DATE | BY | APPROVED |
|-----|-------------|------|----|----------|
| 3 | | | | |
| 2 | | | | |
| 1 | | | | |

| GENERAL TOLERANCES | | REVISION CONTROL | |
|--------------------|--------------|--------------------------------------|---|
| NOMINAL: | UP TO 1000mm | 1M AND ABOVE | FLATNESS: (NOT INCLUDING BROOME FINISH) |
| TOLERANCE: | ±5mm | 1mm IN 200mm UP TO A MAXIMUM OF 20mm | ±4mm PER 1M WIDTH IN 1M LENGTH |

| | |
|------------------|----------------|
| CHK / APPR: | C.All |
| DATE: | 01/06/2018 |
| RPEQ DOCUMENT #: | |
| WEIGHT: | 312.14Kg |
| MATERIAL: | CONCRETE 40MPA |
| IRF REF: | |

Infrastructure Products Australia
A CRH COMPANY

HEAD OFFICE:
1 REEVES COURT
BREAKWATER, VIC 3219
1800 065 356

ENGINEERING & DEVELOPMENT:
91 STRADBROKE STREET
HEATHWOOD, QLD 4110
(07) 3714 0444

| | |
|---|------------|
| DRAFTED DATE: | 21/02/2018 |
| DRAFTED BY: | |
| DATE LAST SAVED: | 29/09/2022 |
| LAST SAVED BY: | NBRADIC |
| DRAWN TO AS 1100 DO NOT SCALE FROM SHEET | |

| | | |
|--------------------------------|--------------|------------|
| PART/PRODUCT # | QUOTE # | ORDER # |
| REINFORCEMENT COMPUTATION | PIT # | ITEM TYPE |
| CLIENT | PROJECT DESC | |
| DRAWING NAME | REV. | |
| 450x450x450 PIT WITH KNOCKOUTS | A | |
| DRAWING # | PAGE | SHEET SIZE |
| 50201551 | 1 / 1 | A3 |
| SCALE | | |
| 1:10 | | |