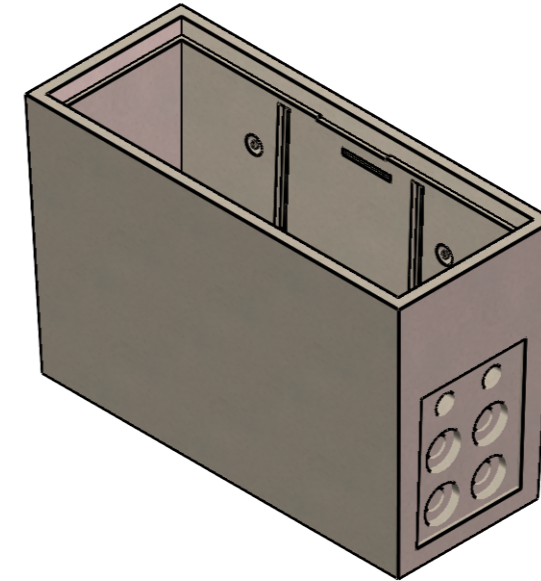


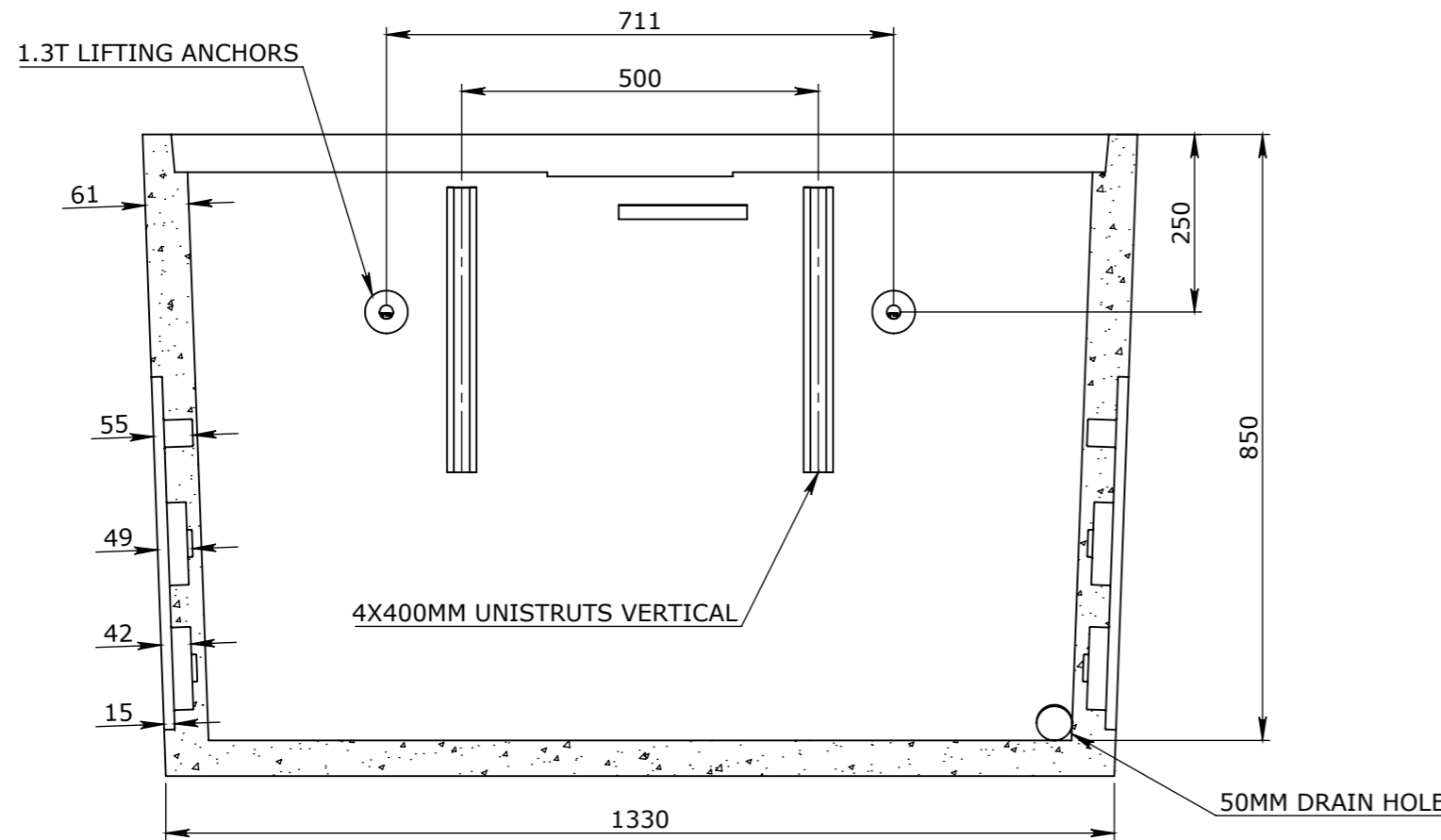
PLAN VIEW



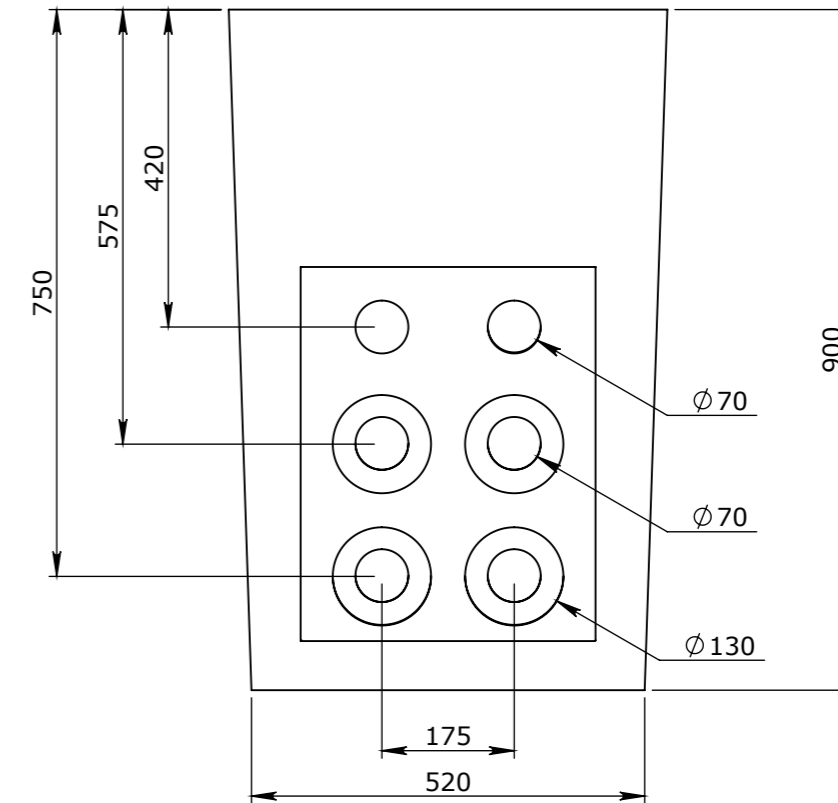
ISOMETRIC VIEW

CONCRETE NOTE:

1. REFER TO GENERAL TOLERANCES UNO
2. GRADE OF CONCRETE - 40MPA
3. ALL LIFTING POINTS TO BE USED WHEN LIFTING
4. MINIMUM STRENGTH OF CONCRETE SHALL BE 25MPA AT THE TIME OF LIFTING
5. REFER TO BVCI-INS-C-001 (STD INSTALLATION GUIDE) FOR INSTALLATION DETAILS
6. REFER TO ANCON LIFTING ARRANGEMENT PLAN



SECTION B-B



END VIEW

- TOLERANCE NOTES:**
1. CONCRETE TOLERANCES TO BE INCONJUNCTION / ACCORDANCE WITH AS3600 - CONCRETE STRUCTURES
 2. WHEN A BROOME FINISH IS REQUIRED THE GENERAL TOLERANCE SUPERCEEDS THE FLATNESS TOLERANCE
 3. WALL THICKNESS - DIMENSION AS NOTED IS MINIMUM THICKNESS ONLY
 4. CONCRETE GRADE - 40MPA UNLESS NOTED OTHERWISE
 5. DIMENSIONS ARE NOT INCLUSIVE OF SEALANTS OF JOINTS
 6. SURFACE FINISH - CLASS 4 (AS3610.1)

3	DRAIN HOLE LOCATION UPDATED	08/10/18	CA	CA
2				
1				
Rev	DESCRIPTION	DATE	BY	APPROVED
GENERAL TOLERANCES		REVISION CONTROL		
NOMINAL:	UP TO 1000mm	1M AND ABOVE	FLATNESS: (NOT INCLUDING BROOME FINISH)	
TOLERANCE:	±5mm	1mm IN 200mm UP TO A MAXIMUM OF 20mm	±4mm PER 1M WIDTH IN 1M LENGTH	

CHK / APPR:	CA
DATE:	08/10/2018
RPEQ DOCUMENT #:	
WEIGHT:	499.85Kg
MATERIAL:	CONCRETE 40MPa

CUBIS SYSTEMS

HEAD OFFICE:
CARNINGHAM ROAD
BALLARAT, VIC 3351
(03) 5335 8741

ENGINEERING & DEVELOPMENT:
2 STRADBROKE STREET
HEATHWOOD, QLD 4110
(07) 3714 0444

ALL INFORMATION DISCLOSED IN THIS DOCUMENT IS CONFIDENTIAL AND IS NOT WITHOUT THE EXPRESS CONSENT OF CUBIS SYSTEMS AUSTRALIA TO BE COPIED, REPRODUCED, OR GIVEN TO ANY OTHER PARTY IN ANY FORM AND THAT ALL COPYRIGHT, DESIGNS AND PATENTS VEST IN CUBIS SYSTEMS AUS.

DRAFTED DATE:	14/02/2017
DRAFTED BY:	
DATE LAST SAVED:	10/02/2022
LAST SAVED BY:	nbradic
DRAWN TO AS 1100	DO NOT SCALE FROM SHEET

PROJECT:	BVCI GROUP CATALOGUE CONCRETE PRODUCTION CATALOGUE ITEM		
NAME:	J8 UNIVERSAL PIT - CLASS B		
DRAWING No:	50201526		
PROJECT / CATALOGUE CODE:	524140	PAGE:	1 / 1
SHEET:	A3	SCALE UNO:	1:10
REV	4		