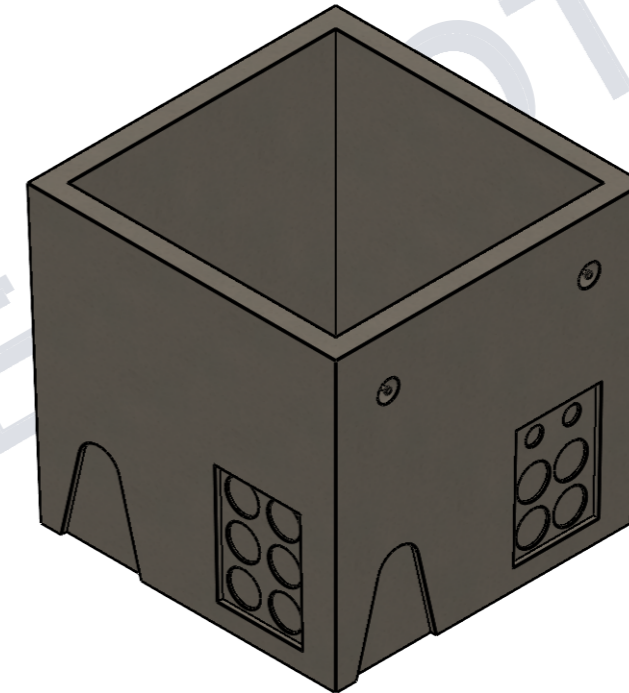
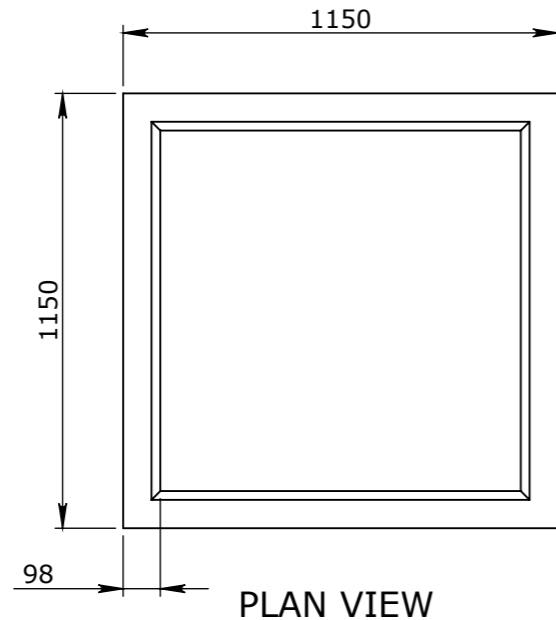


**CONCRETE NOTE:**

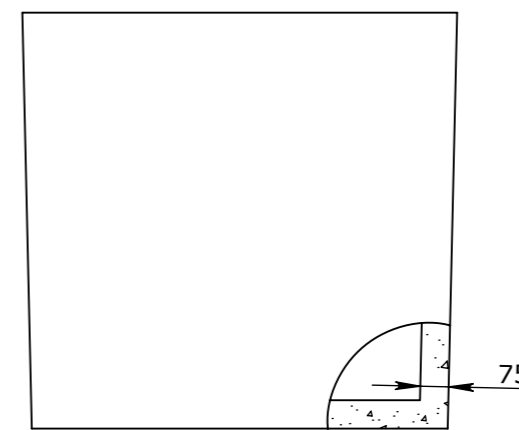
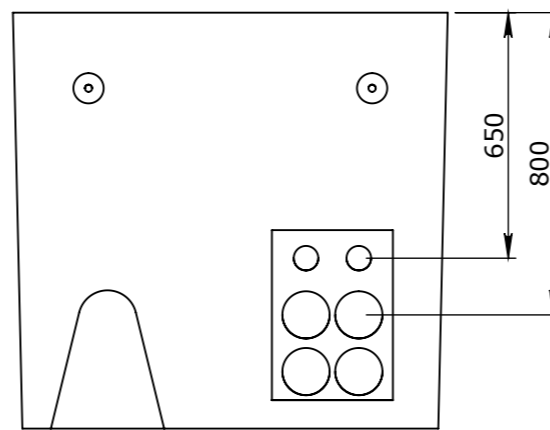
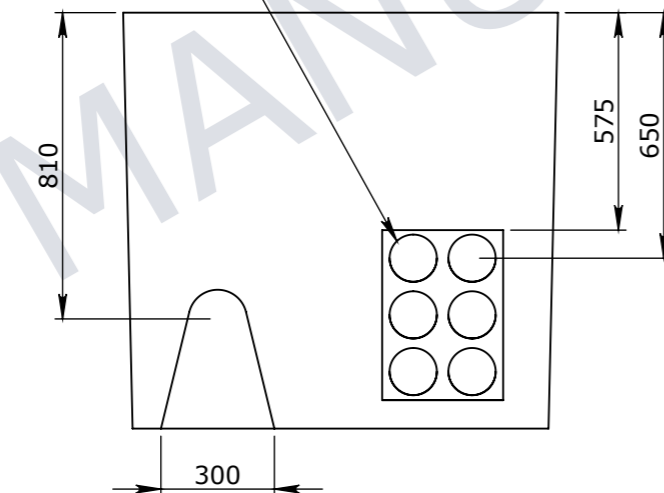
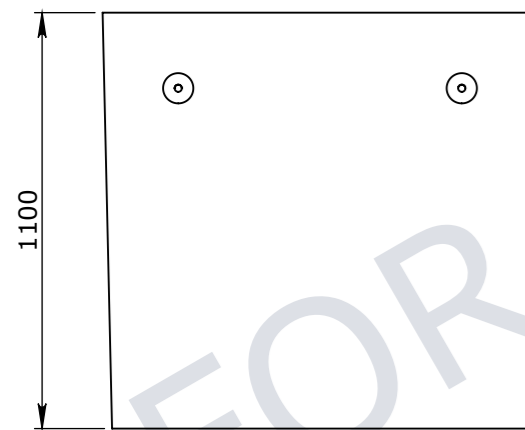
1. REFER TO GENERAL TOLERANCES UNO
2. GRADE OF CONCRETE - CONCRETE FIBRE 40MPA
3. ALL LIFTING POINTS TO BE USED WHEN LIFTING
4. MINIMUM STRENGTH OF CONCRETE SHALL BE 25MPA AT THE TIME OF LIFTING
5. REFER TO CUBIS SYSTEMS\_PRECAST INSTALLATION GUIDE\_2019 FOR INSTALLATION DETAILS
6. REFER TO ANCON LIFTING ARRANGEMENT PLAN

**BOM:50201519**

ITEM #	QTY.	PART #	DESCRIPTION	WEIGHT
1	1	50201519	PIT CONCRETE JD110 CLASS D	989.6
2	4	50201274	FOOT ANCHOR ZP 1.3TX65MM	0.1



ØKNOCKOUT R60



UNCONTROLLED DOCUMENT WHEN PRINTED

**TOLERANCE NOTES:**

1. CONCRETE TOLERANCES TO BE IN CONJUNCTION / ACCORDANCE WITH AS3600 - CONCRETE STRUCTURES
2. WHEN A BROOM FINISH IS REQUIRED THE GENERAL TOLERANCE SUPERCEDES THE FLATNESS TOLERANCE
3. WALL THICKNESS - DIMENSION AS NOTED IS MINIMUM THICKNESS ONLY
4. CONCRETE GRADE - 40MPA UNLESS NOTED OTHERWISE
5. DIMENSIONS ARE NOT INCLUSIVE OF SEALANTS OF JOINTS
6. SURFACE FINISH - CLASS 4 (AS3610.1)

Rev	DESCRIPTION	DATE	BY	APPROVED
3				
2				
1				

GENERAL TOLERANCES		REVISION CONTROL	
NOMINAL:	UP TO 1000mm	1M AND ABOVE	FLATNESS: (NOT INCLUDING BROOME FINISH)
TOLERANCE:	±5mm	1mm IN 200mm UP TO A MAXIMUM OF 20mm	±4mm PER 1M WIDTH IN 1M LENGTH

CHK / APPR:	AC
DATE:	
RPEQ DOCUMENT #:	
WEIGHT:	989.6Kg
MATERIAL:	CONCRETE FIBRE 40MPA
IRF REF:	

**Infrastructure Products Australia**  
A CRH COMPANY

HEAD OFFICE:  
1 REEVES COURT  
BREAKWATER, VIC 3219  
1800 065 356

ENGINEERING & DEVELOPMENT:  
91 STRADBROKE STREET  
HEATHWOOD, QLD 4110  
(07) 3714 0444

DRAFTED DATE:	24/08/2022
DRAFTED BY:	N.BRADIC
DATE LAST SAVED:	2/09/2022
LAST SAVED BY:	CABEYSINGH
DRAWN TO AS 1100	DO NOT SCALE FROM SHEET

PART/PRODUCT #	50201519	QUOTE #		ORDER #	
REINFORCEMENT COMPUTATION		PIT #		ITEM TYPE	
CLIENT	CUBIS SYSTEMS/AUSPITS				
PROJECT DESC	PIT CONCRETE JD110 CLASS D				
DRAWING NAME	PIT CONCRETE JD110 CLASS D				
DRAWING #	50201519	PAGE	1 / 1	SHEET SIZE	A3
SCALE	1:20	REV.	0		