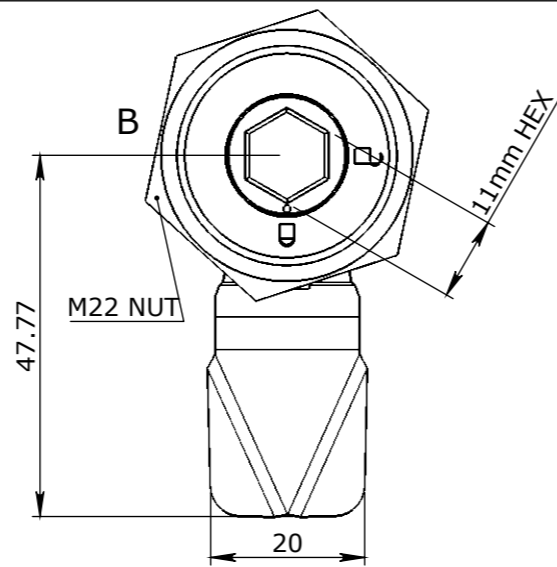


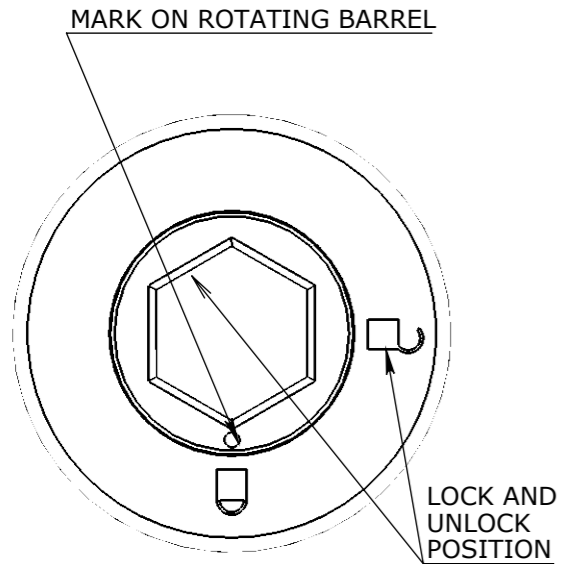
ISSUED FOR MANUFACTURE

MATERIAL
 DUCT CAP - HDPE
 LOCK PARTS - SS



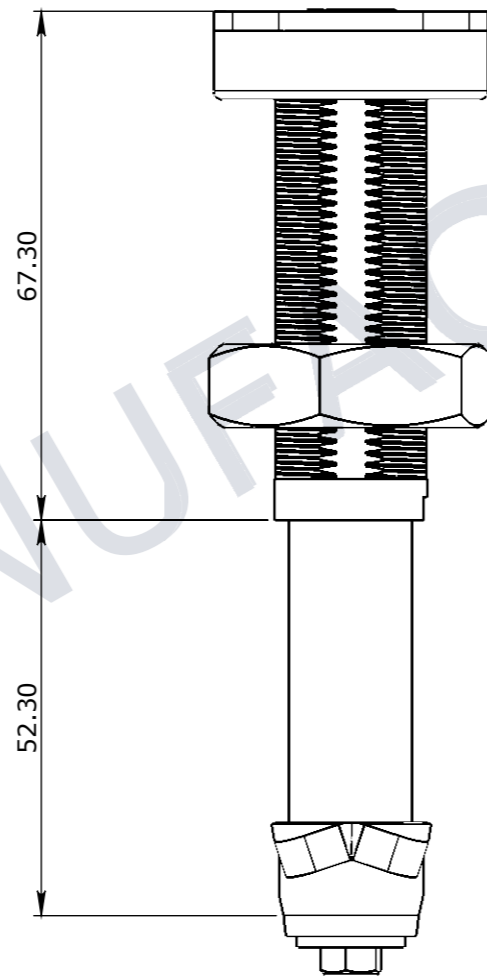
PLAN VIEW

DUST BOOT REMOVED FOR CLARITY

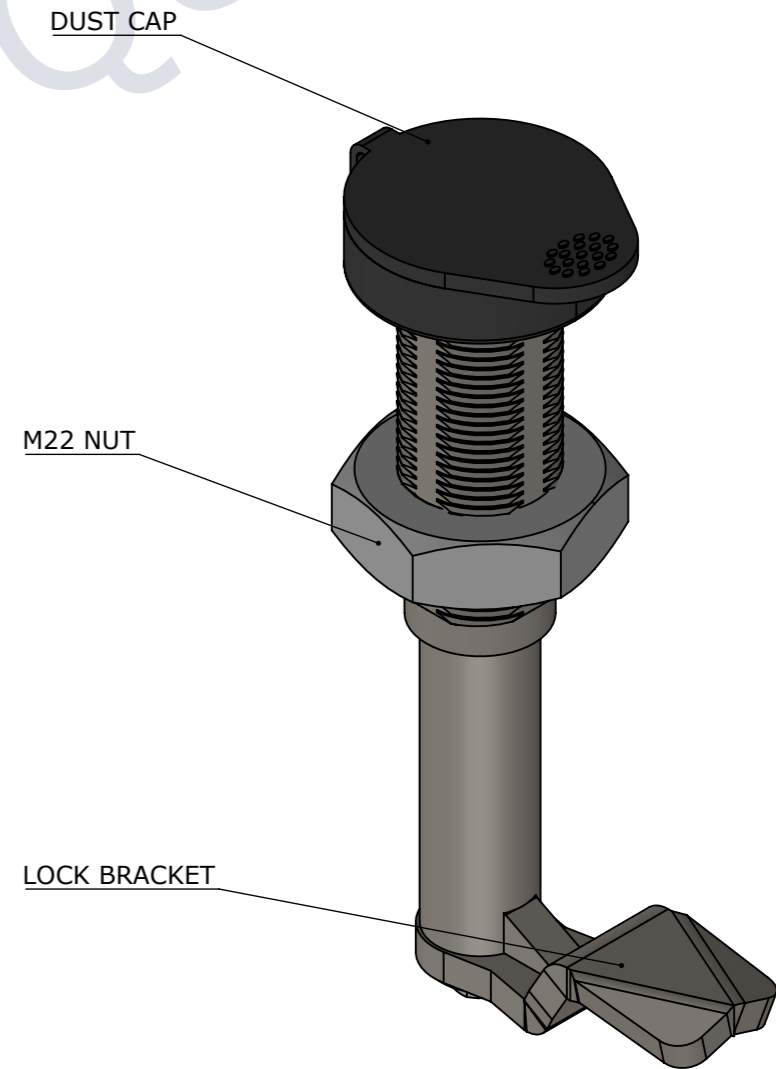


DETAIL B

SCALE 2:1
 SYMBOLS



ELEVATION VIEW



ISOMETRIC VIEW

UNCONTROLLED DOCUMENT WHEN PRINTED

1. MATERIAL SPECIFICATIONS UNO
 SECTIONS & FLATS - AS 3679 - GR 300+
 PLATES AS 3678 - GR 250
 SHS AS 1163 - GR 350
 2. WELDING TO COMPLY TO AS 1554.1 UNO

Rev	DESCRIPTION	DATE	BY	ECO#
1	UPDATED THE SPACER	31/07/20CA		

CHK / APPR:	CA
DATE:	28/11/2018
RPEQ DOCUMENT #:	

HEAD OFFICE:
 CARNINGHAM ROAD
 BALLARAT, VIC 3351
 (03) 5335 8741

ENGINEERING & DEVELOPMENT:
 2 STRADBROKE STREET
 HEATHWOOD, QLD 4110
 (07) 3714 0444

PROJECT DESCRIPTION:
CUBIS SYSTEMS
 CATALOGUE PRODUCTS

DRAWING NAME:
 LOCK KEYED TO SUIT COMPOSITE COVERS

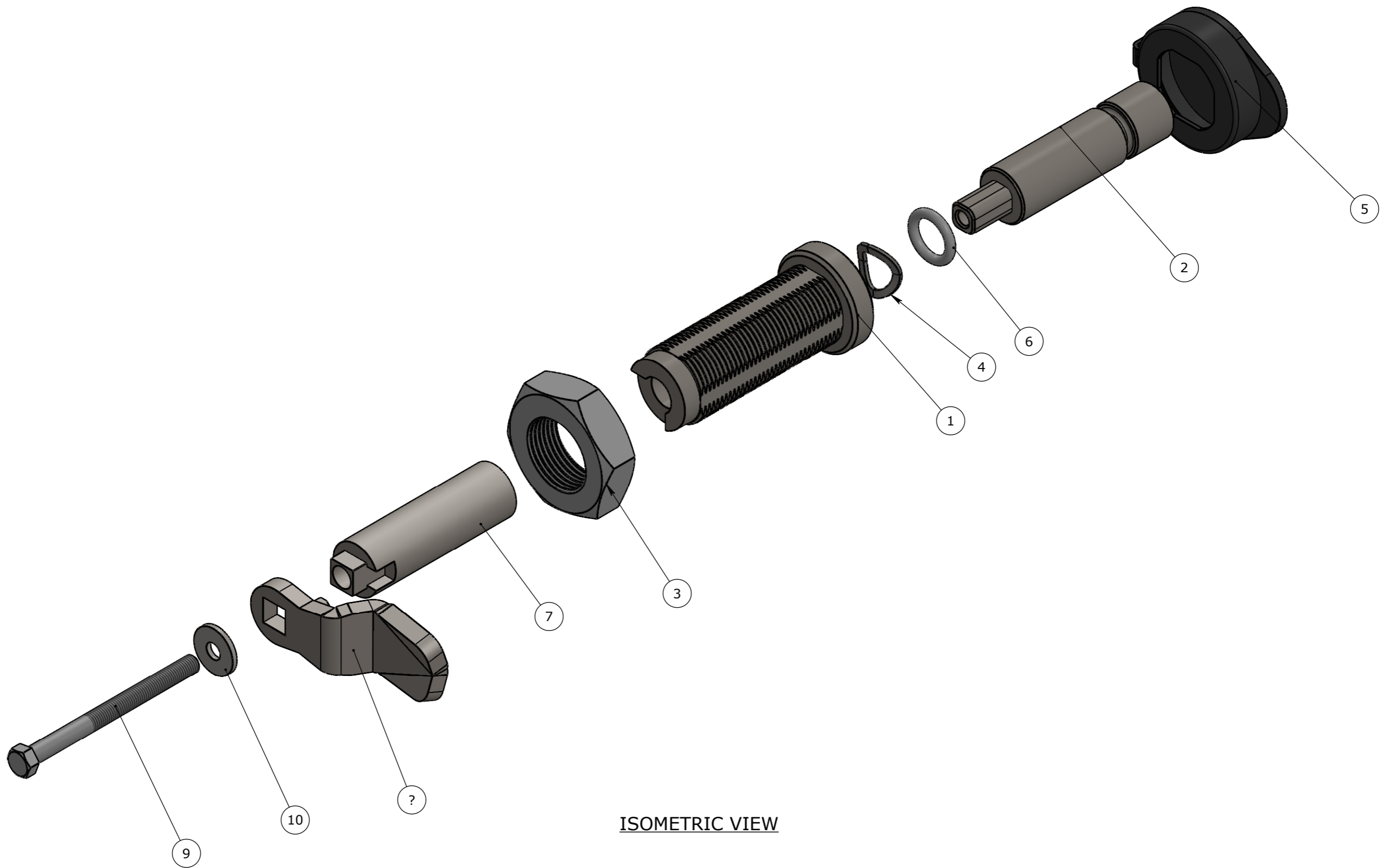
GENERAL TOLERANCES				
NOMINAL SIZE	UP TO 150	ABOVE 150 UP TO 500	ABOVE 500	ANGULAR
TOL	±1.0	±2.0	±5.0	∠ X.X ± 0°30'


TOLERANCES - FABRICATION			REVISION CONTROL		
LINEAR X.XX ± 0.02	FACES SQUARE ⊥ 0.05/100	ANGULAR ∠ X.X ± 0°30' DIA. CONC WITHIN 0.05 TIR			
LINEAR X.X ± 0.1	FACES PARALLEL // 0.05/100	ANGULAR ∠ X ± 1° EDGES CHAMFERED 1.0 x 45°			
LINEAR X. ± 0.25	FACES FLAT ▯ 0.05/100	GENERAL SURFACE FINISH Ra 3.2			

WEIGHT:	0Kg
MATERIAL:	N/A
SURFACE TREATMENT:	

THE INFORMATION DISCLOSED IN THIS DOCUMENT IS CONFIDENTIAL AND IS NOT WITHOUT THE EXPRESS CONSENT OF CUBIS SYSTEMS AUSTRALIA TO BE COPIED, REPRODUCED, OR GIVEN TO ANY OTHER PARTY IN ANY FORM AND THAT ALL COPYRIGHT, DESIGNS AND PATENTS VEST IN CUBIS SYSTEMS AUS.

DRAWN TO AS 1100 DO NOT SCALE FROM SHEET		DRAWING No: 50202581	REV: 0
SHEET: A3	PAGE: 1/2	SCALE UNO: 1:1	DRAFTED DATE: 17/08/2018
DRAFTED BY: C. ABEYSINGHE			



	HEAD OFFICE: CARNINGHAM ROAD BALLARAT, VIC 3351 03 5335 8741		NAME: LOCK KEYED TO SUIT COMPOSITE COVERS		REV
	ENGINEERING & DEVELOPMENT: 2 STRADBROKE STREET HEATHWOOD, QLD 4110 07 3714 0444		DRAWING No: 50202581		0
DRAWN TO AS 1100 DO NOT SCALE FROM SHEET	DRAFTED BY: C. ABEYSINGHE	DRAFTED DATE: 23/07/20	PAGE: 2 / 2	SHEET: A3	SCALE UNO: 1:1