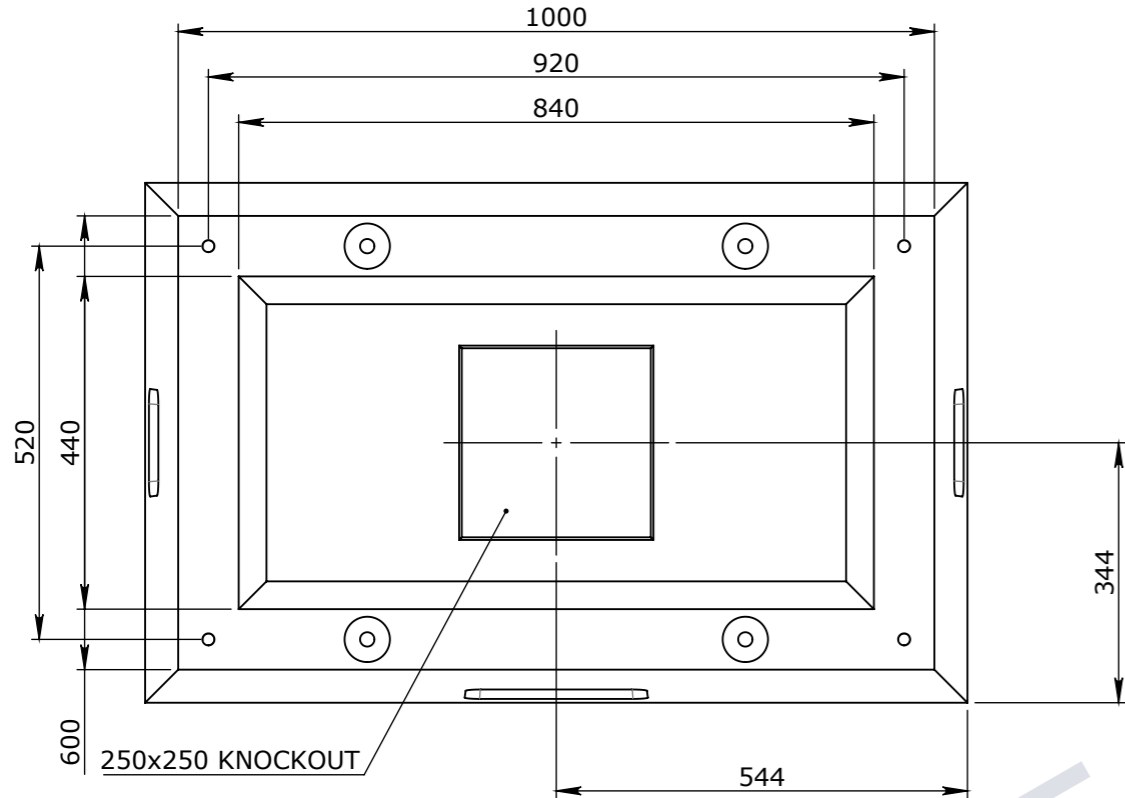


BOM:5020322

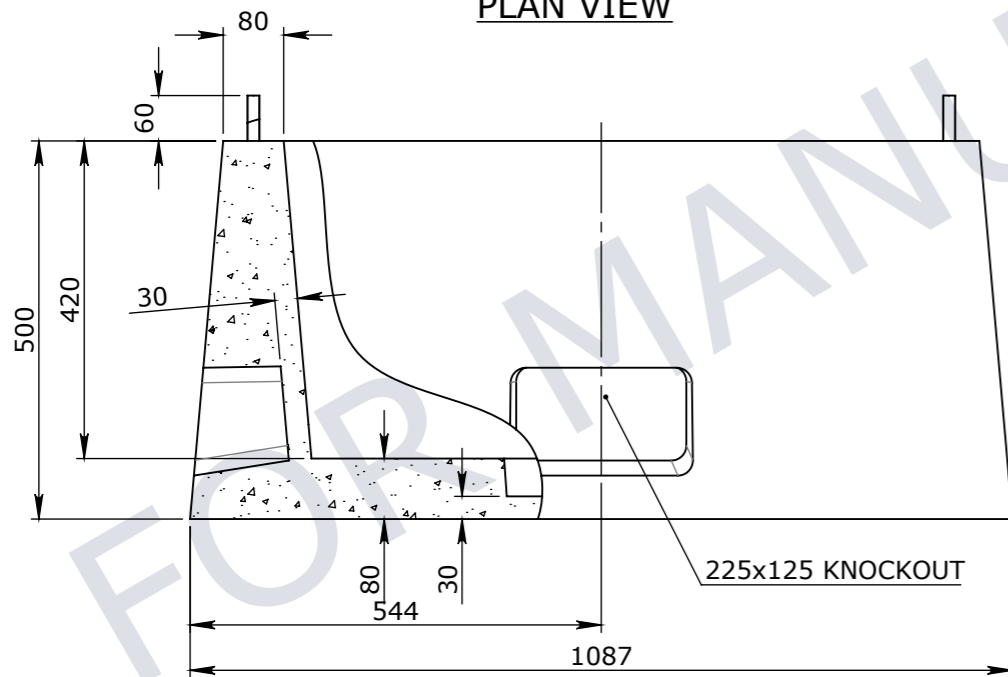
ITEM #	QTY.	PART #	DESCRIPTION	WEIGHT
1	1	5020322	5020322 - LOCATION CASE QLD RAIL SINGLE WIDTH	1485.22
	1	50201097	EYE ANCHOR GALV 2.5Tx65mm	
	4		M16X180X50 EL BAR	

CONCRETE NOTE:

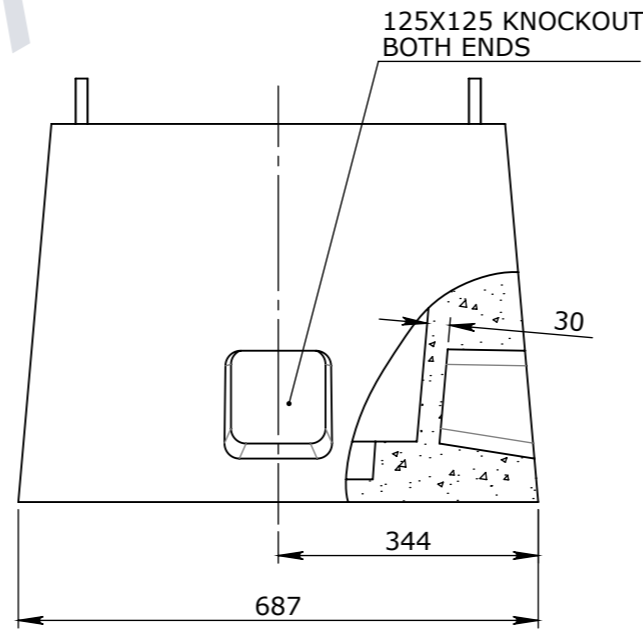
1. REFER TO GENERAL TOLERANCES UNO
2. GRADE OF CONCRETE - 40MPA POLY FIBRE WITH STEEL BAR REINFORCEMENT
3. ALL LIFTING POINTS TO BE USED WHEN LIFTING
4. MINIMUM STRENGTH OF CONCRETE SHALL BE 25MPA AT THE TIME OF LIFTING
5. REFER TO BVCI-INS-C-001 (STD INSTALLATION GUIDE) FOR INSTALLATION DETAILS
6. REFER TO ANCON LIFTING ARRANGEMENT PLAN



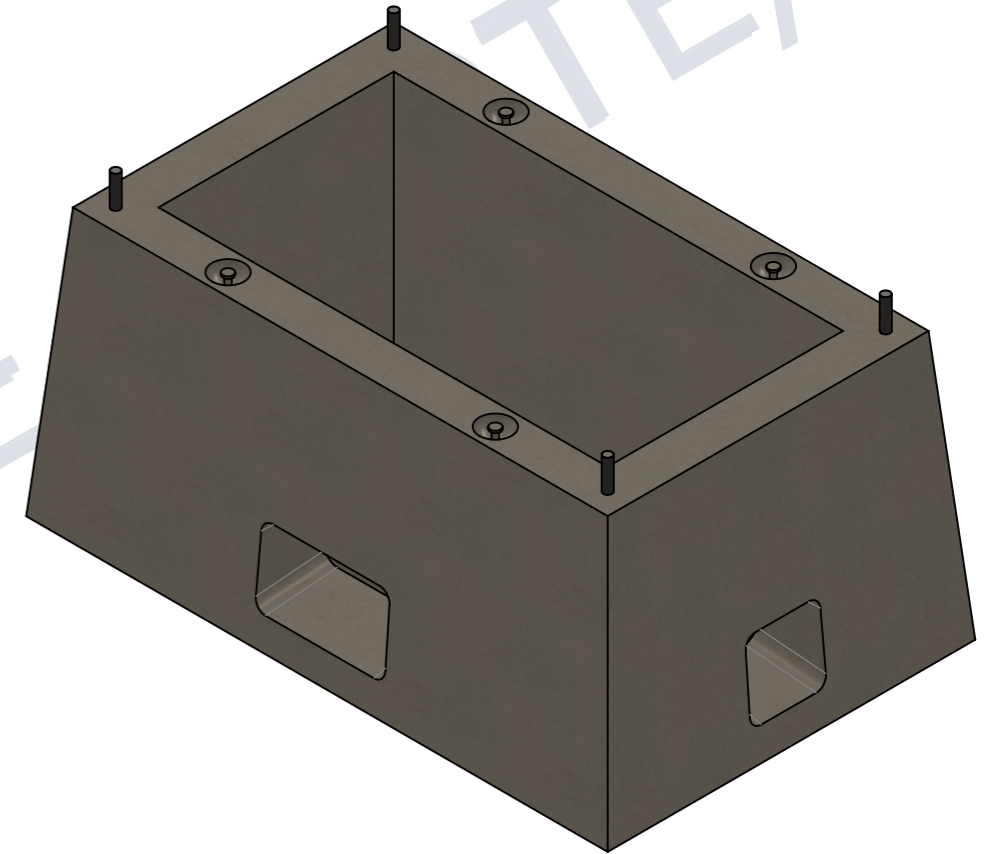
PLAN VIEW



ELEVATION VIEW



END VIEW



ISOMETRIC VIEW

UNCONTROLLED DOCUMENT WHEN PRINTED

- TOLERANCE NOTES:**
1. CONCRETE TOLERANCES TO BE INCONJUNCTION / ACCORDANCE WITH AS3600 - CONCRETE STRUCTURES
 2. WHEN A BROOME FINISH IS REQUIRED THE GENERAL TOLERANCE SUPERCEEDS THE FLATNESS TOLERANCE
 3. WALL THICKNESS - DIMENSION AS NOTED IS MINIMUM THICKNESS ONLY
 4. CONCRETE GRADE - 40MPA UNLESS NOTED OTHERWISE
 5. DIMENSIONS ARE NOT INCLUSIVE OF SEALANTS OF JOINTS
 6. SURFACE FINISH - CLASS 4 (AS3610.1)

Rev	DESCRIPTION	DATE	BY	APPROVED
3				
2				
1				

GENERAL TOLERANCES		REVISION CONTROL	
NOMINAL:	UP TO 1000mm	1M AND ABOVE	FLATNESS: (NOT INCLUDING BROOME FINISH)
TOLERANCE:	±5mm	1mm IN 200mm UP TO A MAXIMUM OF 20mm	±4mm PER 1M WIDTH IN 1M LENGTH

CHK / APPR:	Abeyasingh
DATE:	29/08/2018
RPEQ DOCUMENT #:	
WEIGHT:	1485.22Kg
MATERIAL:	FIBER MS GR-250 GALV
IRF REF:	

Infrastructure Products Australia
A CRH COMPANY

HEAD OFFICE: 1 REEVES COURT BREAKWATER, VIC 3219 1800 065 356
ENGINEERING & DEVELOPMENT: 91 STRADBROKE STREET HEATHWOOD, QLD 4110 (07) 3714 0444

DRAFTED DATE:	3/12/2015
DRAFTED BY:	
DATE LAST SAVED:	14/12/2022
LAST SAVED BY:	CABEYSINGH
DRAWN TO AS 1100 DO NOT SCALE FROM SHEET	

PART/PRODUCT #	5020322	QUOTE #		ORDER #	
REINFORCEMENT COMPUTATION		PIT #		ITEM TYPE	
CLIENT	CUBIS SYSTEMS/AUSPITS				
PROJECT DESC	5020322 - LOCATION CASE QLD RAIL SINGLE WIDTH				
DRAWING NAME					
DRAWING #	5020322	PAGE	1 / 1	SHEET SIZE	A3
SCALE	1:10				
REV.	1				