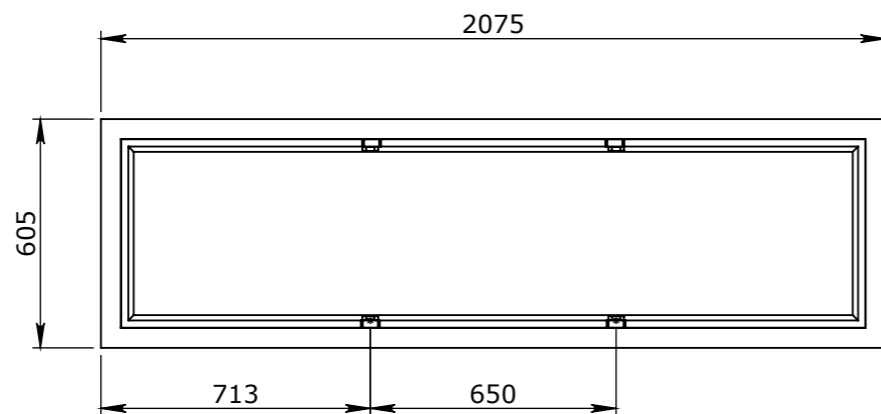


CONCRETE PRODUCT NOTE:

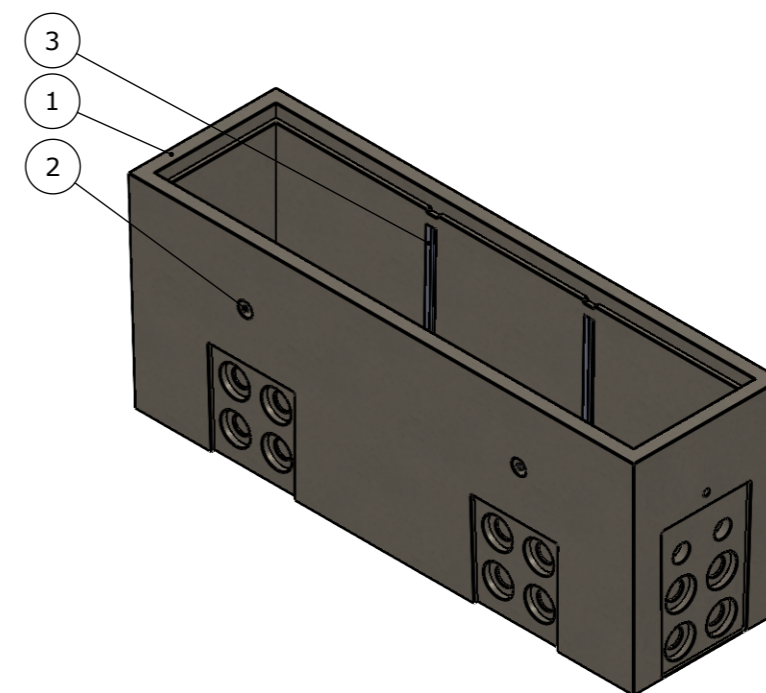
1. REFER TO GENERAL TOLERANCES UNO
2. REFER TO DRAWING [524200] GENERAL ARRANGEMENT
3. GRADE OF CONCRETE - 40MPA FIBRE REINFORCED (FIBRECON MP47 @ 5KG/M³)
4. ALL LIFTING POINTS TO BE USED WHEN LIFTING
5. MINIMUM STRENGTH OF CONCRETE SHALL BE 25MPA AT THE TIME OF LIFTING
6. COVER TO REINFORCEMENT TO BE 35mm
7. REFER TO ANCON LIFTING ARRANGEMENT PLAN
8. CONCRETE VOLUME (M³) = [0.30]

WELDMENT CUT LIST

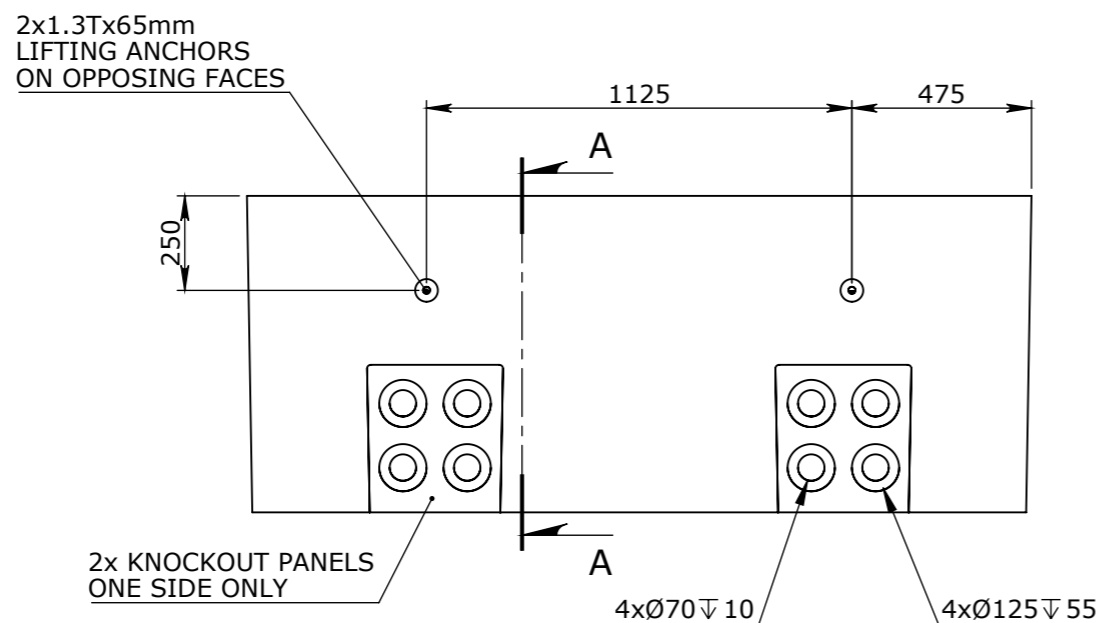
ITEM NO.	QTY.	DESCRIPTION
1	1	CAST PIT
2	4	FOOT ANCHOR - 1.3Tx35
3	4	600mm HEAVY DUTY UNISTRUT - P3300



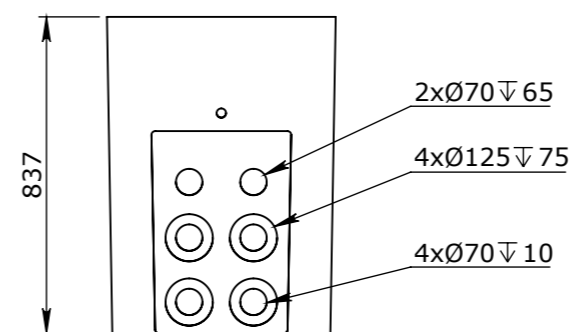
PLAN VIEW



ISOMETRIC VIEW



ELEVATION VIEW



END VIEW

ISSUED FOR CONSTRUCTION

TOLERANCE NOTES:

1. CONCRETE TOLERANCES TO BE IN CONJUNCTION / ACCORDANCE WITH AS3600 - CONCRETE STRUCTURES
2. WHEN A BROOME FINISH IS REQUIRED THE GENERAL TOLERANCE SUPERCEDES THE FLATNESS TOLERANCE
3. WALL THICKNESS - DIMENSION AS NOTED IS MINIMUM THICKNESS ONLY
4. CONCRETE GRADE - 40MPA UNLESS NOTED OTHERWISE
5. DIMENSIONS ARE NOT INCLUSIVE OF SEALANTS OF JOINTS
6. SURFACE FINISH - CLASS 4 (AS3610.1)

Rev	DESCRIPTION	DATE	BY	APPROVED
3				
2				
1	UPDATE DRAWING VIEWS	P.G	C.A	

GENERAL TOLERANCES		REVISION CONTROL	
NOMINAL:	UP TO 1000mm	1M AND ABOVE	FLATNESS: (NOT INCLUDING BROOME FINISH)
TOLERANCE:	±5mm	1mm IN 200mm UP TO A MAXIMUM OF 20mm	±4mm PER 1M WIDTH IN 1M LENGTH

CHK / APPR:	CA
DATE:	03/07/2019
RPEQ DOCUMENT #:	
WEIGHT:	685.82Kg
MATERIAL:	CONCRETE 40MPa

HEAD OFFICE:
CARNHAM ROAD
BALLARAT, VIC 3351
(03) 5335 8741

ENGINEERING & DEVELOPMENT:
2 STRADBROKE STREET
HEATHWOOD, QLD 4110
(07) 3714 0444

THE INFORMATION DISCLOSED IN THIS DOCUMENT IS CONFIDENTIAL AND IS NOT WITHOUT THE EXPRESS CONSENT OF CUBIS SYSTEMS AUSTRALIA TO BE COPIED, REPRODUCED, OR GIVEN TO ANY OTHER PARTY IN ANY FORM AND THAT ALL COPYRIGHT, DESIGNS AND PATENTS VEST IN CUBIS SYSTEMS AUS.

DRAFTED DATE:	9/05/2017
DRAFTED BY:	P.GONCALVES
DATE LAST SAVED:	11/02/2022
LAST SAVED BY:	nbradic
DRAWN TO AS 1100	DO NOT SCALE FROM SHEET

PROJECT:	BVCI GROUP CATALOGUE CONCRETE PRODUCTION CATALOGUE ITEM
NAME:	J9 SERIES CONCRETE PIT NO FLOOR
DRAWING No:	524200-REOF
PROJECT / CATALOGUE CODE:	524200
PAGE:	1 / 2
SHEET:	A3
SCALE UNO:	1:20
REV	1