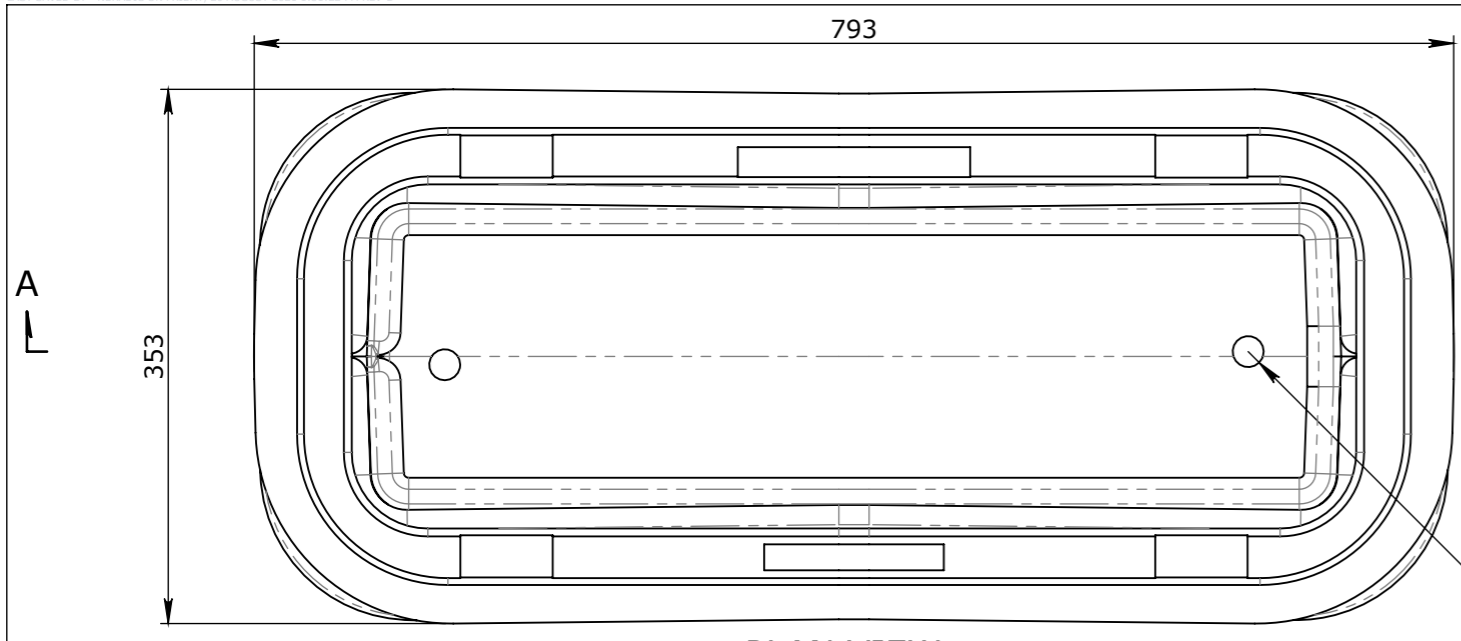
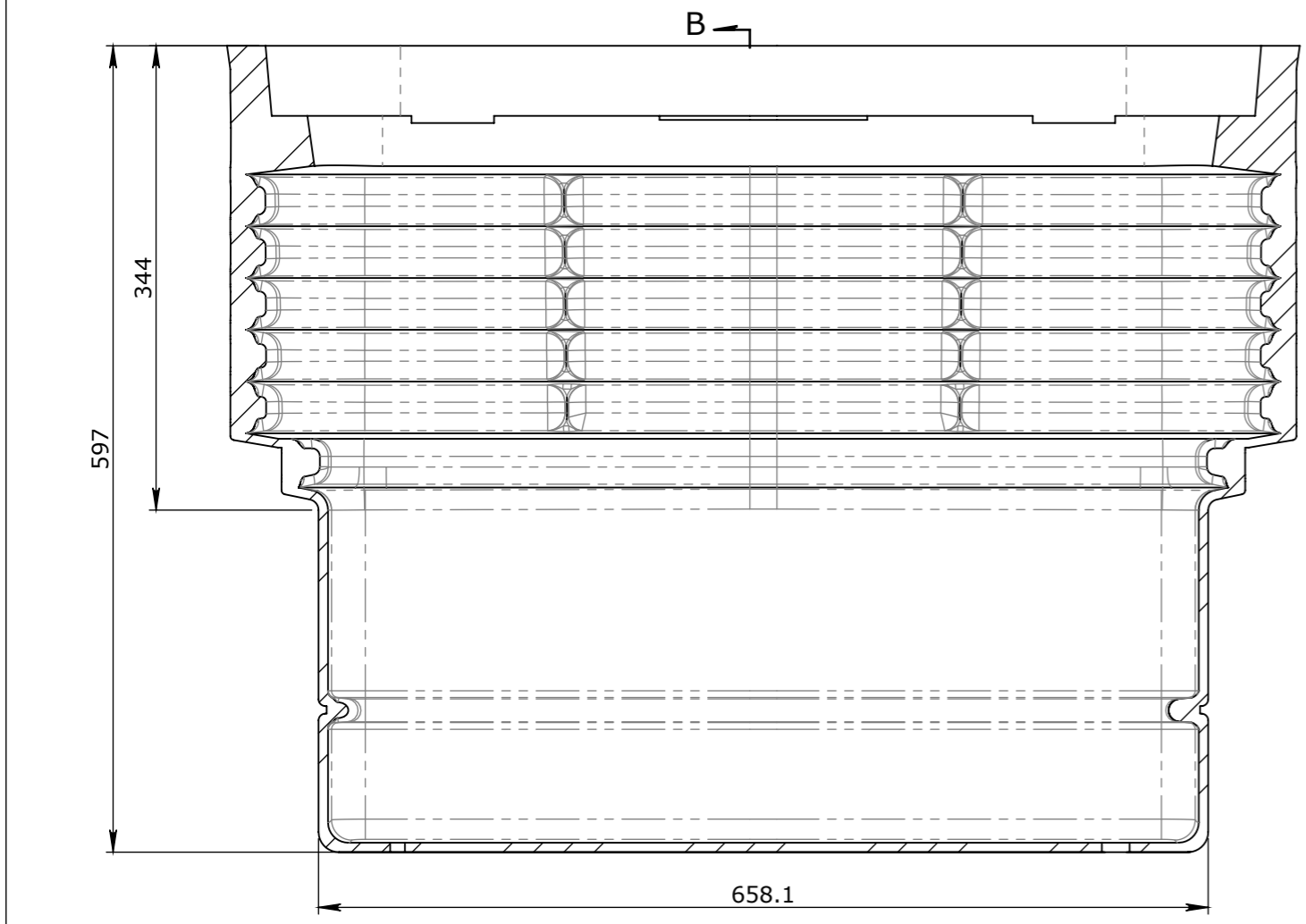


BOM:50201362 PRO

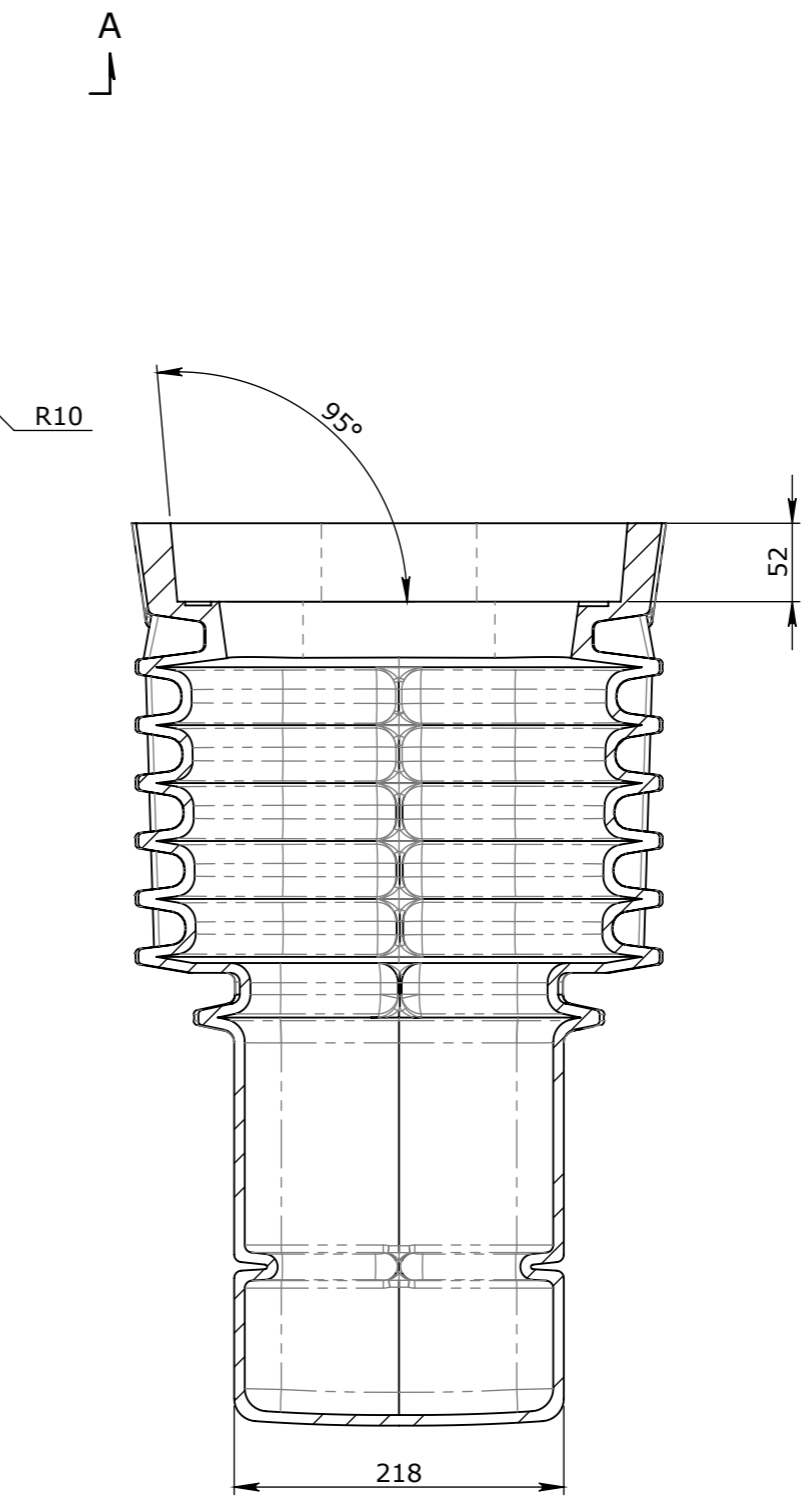
| ITEM # | QTY. | PART # | DESCRIPTION | WEIGHT |
|--------|------|----------|--------------------------------|--------|
| 1 | 1 | 50201362 | POWDER MICROTUFF RECLAIM BLACK | 15.3 |



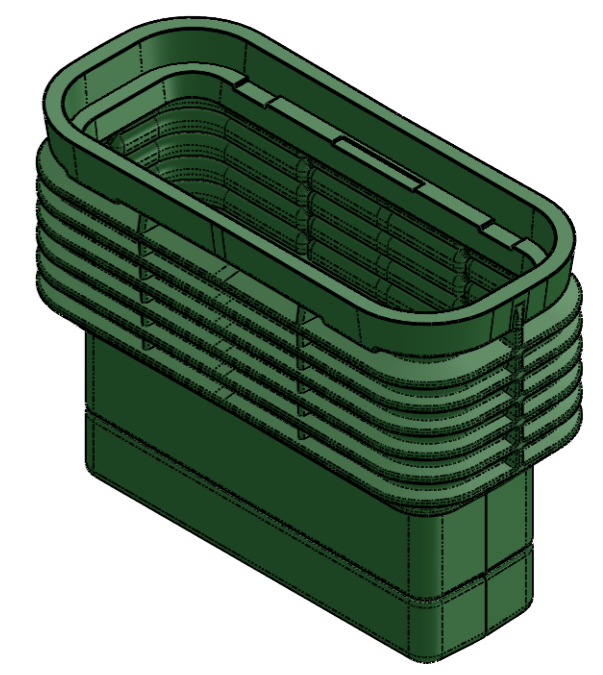
PLAN VIEW
SCALE_1:5



SECTION A-A
SCALE_1:5



SECTION B-B
SCALE_1:5



ISOMETRIC VIEW

UNCONTROLLED DOCUMENT WHEN P...

- TOLERANCE NOTES:**
1. CONCRETE TOLERANCES TO BE INCONJUNCTION / ACCORDANCE WITH AS3600 - CONCRETE STRUCTURES
 2. WHEN A BROOME FINISH IS REQUIRED THE GENERAL TOLERANCE SUPERCEEDS THE FLATNESS TOLERANCE
 3. WALL THICKNESS - DIMENSION AS NOTED IS MINIMUM THICKNESS ONLY
 4. CONCRETE GRADE - 40MPA UNLESS NOTED OTHERWISE
 5. DIMENSIONS ARE NOT INCLUSIVE OF SEALANTS OF JOINTS
 6. SURFACE FINISH - CLASS 4 (AS3610.1)

| Rev | DESCRIPTION | DATE | BY | APPROVED |
|-----|-------------|------|----|----------|
| 3 | | | | |
| 2 | | | | |
| 1 | | | | |

| GENERAL TOLERANCES | | REVISION CONTROL | |
|--------------------|--------------|--------------------------------------|---|
| NOMINAL: | UP TO 1000mm | 1M AND ABOVE | FLATNESS: (NOT INCLUDING BROOME FINISH) |
| TOLERANCE: | ±5mm | 1mm IN 200mm UP TO A MAXIMUM OF 20mm | ±4mm PER 1M WIDTH IN 1M LENGTH |

| | |
|------------------|---------------------|
| CHK / APPR: | |
| DATE: | |
| RPEQ DOCUMENT #: | |
| WEIGHT: | 15.3Kg |
| MATERIAL: | BVCI HDPE (PLASTIC) |
| IRF REF: | |

CUBIS SYSTEMS
A CRH COMPANY

HEAD OFFICE:
CARNHAM ROAD
BALLARAT, VIC 3351
(03) 5335 8741

ENGINEERING & DEVELOPMENT:
91 STRADBROKE STREET
HEATHWOOD, QLD 4110
(07) 3714 0444

THE INFORMATION DISCLOSED IN THIS DOCUMENT IS CONFIDENTIAL AND IS NOT WITHOUT THE EXPRESS CONSENT OF CUBIS SYSTEMS

AUSTRALIA TO BE COPIED, REPRODUCED, OR GIVEN TO ANY OTHER PARTY IN ANY FORM AND THAT ALL COPYRIGHT, DESIGNS AND PATENTS VEST IN CUBIS SYSTEMS AUS.

| | |
|---|------------|
| DRAFTED DATE: | 10/08/2021 |
| DRAFTED BY: | P. ADAMS |
| DATE LAST SAVED: | 20/08/2021 |
| LAST SAVED BY: | NBRADIC |
| DRAWN TO AS 1100 DO NOT SCALE FROM SHEET | |

| ISSUE | DATE | CLIENT APPROVAL |
|-------|------------|-----------------|
| B | 18/01/2022 | |

| | | | |
|---------------------------|------------------------------------|------------|-----------|
| PART/PRODUCT # | 50201362 | QUOTE # | ORDER # |
| REINFORCEMENT COMPUTATION | | PIT # | ITEM TYPE |
| CLIENT | | | |
| PROJECT DESC | | | |
| DRAWING NAME | 50201362 - MONObox™ P3 PLASTIC PIT | | |
| DRAWING # | PAGE | SHEET SIZE | SCALE |
| 50201362 PRO | 1 / 1 | A3 | 1:10 |

B