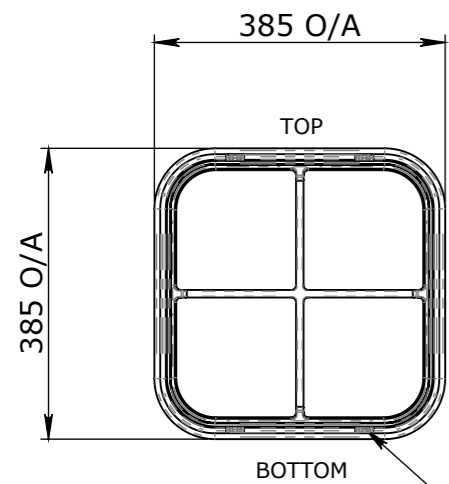
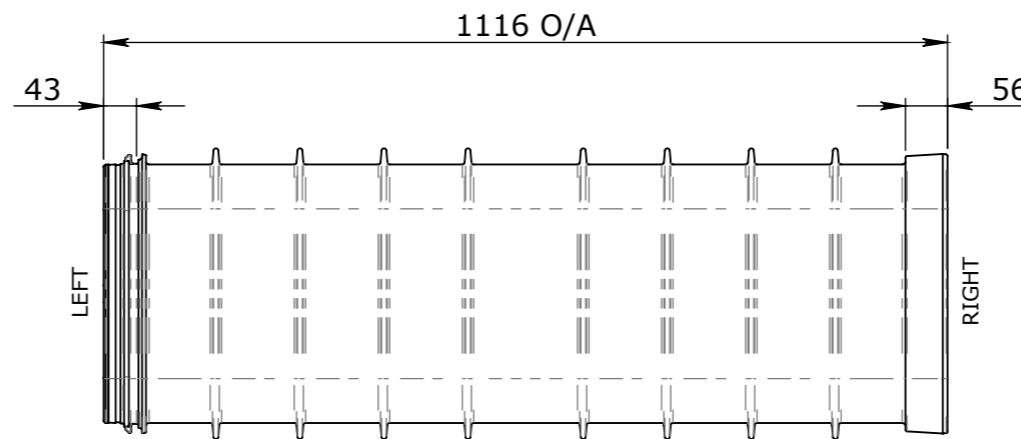


ISOMETRIC VIEW

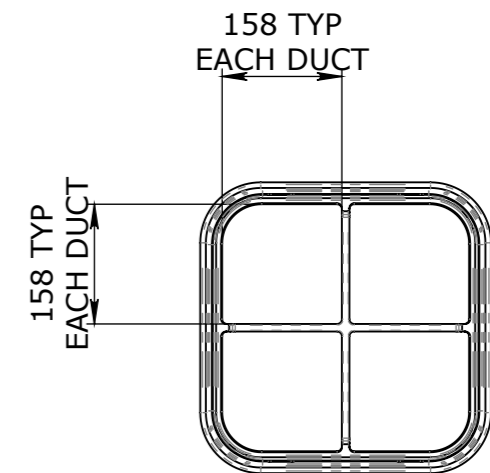


LEFT

2x CLIPS TOP AND BOTTOM



ELEVATION VIEW



RIGHT

TOLERANCE NOTES:
 1. CONCRETE TOLERANCES TO BE IN CONJUNCTION / ACCORDANCE WITH AS3600 - CONCRETE STRUCTURES
 2. WHEN A BROOME FINISH IS REQUIRED THE GENERAL TOLERANCE SUPERCEEDS THE FLATNESS TOLERANCE
 3. WALL THICKNESS - DIMENSION AS NOTED IS MINIMUM THICKNESS ONLY
 4. CONCRETE GRADE - 40MPA UNLESS NOTED OTHERWISE
 5. DIMENSIONS ARE NOT INCLUSIVE OF SEALANTS OF JOINTS
 6. SURFACE FINISH - CLASS 4 (AS3610.1)

Rev	DESCRIPTION	DATE	BY	APPROVED
3				
2				
1				

GENERAL TOLERANCES		REVISION CONTROL	
NOMINAL:	UP TO 1000mm	1M AND ABOVE	FLATNESS: (NOT INCLUDING BROOME FINISH)
TOLERANCE:	±5mm	1mm IN 200mm UP TO A MAXIMUM OF 20mm	±4mm PER 1M WIDTH IN 1M LENGTH

CHK / APPR:	C.All
DATE:	14/06/2018
RPEQ DOCUMENT #:	
WEIGHT:	13.63 kg
MATERIAL:	High Density PE



HEAD OFFICE:
 CARNINGHAM ROAD
 BALLARAT, VIC 3351
 (03) 5335 8741
 ENGINEERING & DEVELOPMENT:
 2 STRADBROKE STREET
 HEATHWOOD, QLD 4110
 (07) 3714 0444

DRAFTED DATE:	13-Jun-18
DRAFTED BY:	M.ODUCAYEN
DATE LAST SAVED:	14-Jun-18
LAST SAVED BY:	charlesa
DRAWN TO AS 1100	DO NOT SCALE FROM SHEET

PROJECT:	CUBIS SYSTEMS CUBIS PRODUCTS MULTIDUCT		
NAME:	MULTIDUCT, 4 WAY XL (4x160)		
DRAWING No:	600005		
PROJECT / CATALOGUE CODE:	PAGE:	SHEET:	SCALE UNO:
600005	1 / 1	A3	1:10
REV	0		