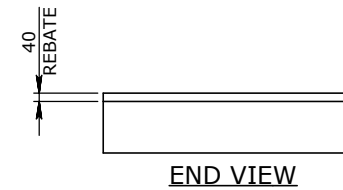
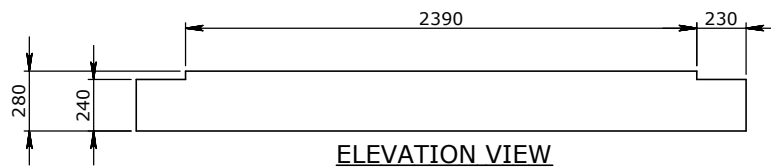
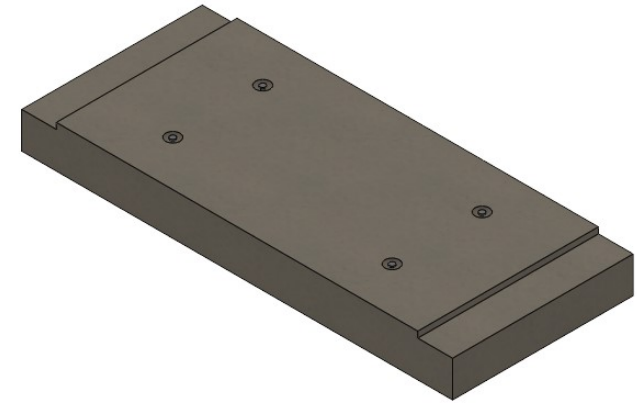
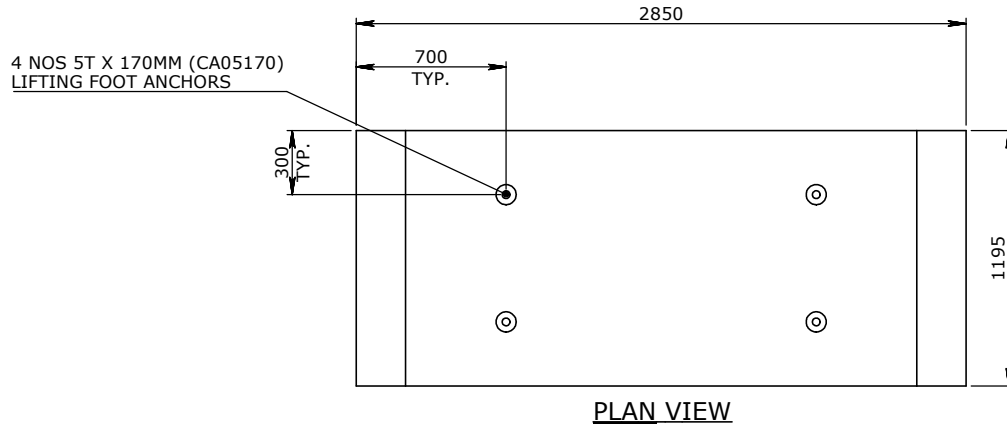


CULVERT BASE SLAB NOTES:

1. REFER TO GENERAL TOLERANCES UNO
2. ALL LIFTING POINTS TO BE USED WHEN LIFTING
3. MINIMUM STRENGTH OF CONCRETE SHALL BE 25MPA AT THE TIME OF LIFTING
4. NOMINAL COVER TO REINFORCEMENT - 35MM
5. REFER TO ANCON LIFTING ARRANGEMENT PLAN
6. BOX CULVERTS COMPLIES TO AS1597.2-2013



UNCONTROLLED DOCUMENT WHEN PRINTED

- TOLERANCE NOTES:**
1. CONCRETE TOLERANCES TO BE INCONJUNCTION / ACCORDANCE WITH AS3600 - CONCRETE STRUCTURES
 2. WHEN A BROOME FINISH IS REQUIRED THE GENERAL TOLERANCE SUPERCEEDS THE FLATNESS TOLERANCE
 3. WALL THICKNESS - DIMENSION AS NOTED IS MINIMUM THICKNESS ONLY
 4. CONCRETE GRADE - 40MPA UNLESS NOTED OTHERWISE
 5. DIMENSIONS ARE NOT INCLUSIVE OF SEALANTS OF JOINTS
 6. SURFACE FINISH - CLASS 4 (AS3610.1)

3						CHK / APPR:
2						DATE:
1						RPEQ DOCUMENT #:
Rev.	DESCRIPTION	DATE	BY	APPROVED		
GENERAL TOLERANCES			REVISION CONTROL			
NOMINAL:	UP TO 1000mm	1M AND ABOVE	FLATNESS: (NOT INCLUDING BROOME FINISH)	WEIGHT: 2281.03Kg		
TOLERANCE:	±5mm	1mm IN 200mm UP TO A MAXIMUM OF 20mm	±4mm PER 1M WIDTH IN 1M LENGTH	MATERIAL: CONCRETE 50MPA		
						TRF REF:

Infrastructure Products Australia
A CRH COMPANY

HEAD OFFICE: 1 REEVES COURT, BREAKWATER, VIC 3219 | 1800 065 356
ENGINEERING & DEVELOPMENT: 91 STRADBROKE STREET, HEATHWOOD, QLD 4110 | (07) 3714 0444

DRAFTED DATE: 24/01/2022	PART/PRODUCT #: TMR BASE SLABS	QUOTE #: 50207222	ORDER #:
DRAFTED BY: DPRUSAC	REINFORCEMENT COMPUTATION	PIT #:	ITEM TYPE: RCBC BASE
DATE LAST SAVED: 29/04/2022	CLIENT: CUBIS SYSTEMS	PROJECT DESC: RCBC BASE	
LAST SAVED BY: ROROZCO	DRAWING NAME: BASE SLAB TMR 2400-2A 1200mm NOMINAL LENGTH	REV. B	
DRAWN TO AS 1100 DO NOT SCALE FROM SHEET	DRAWING #: 50207222	PAGE: 1 / 1	SHEET SIZE: A3
		SCALE: 1:25	