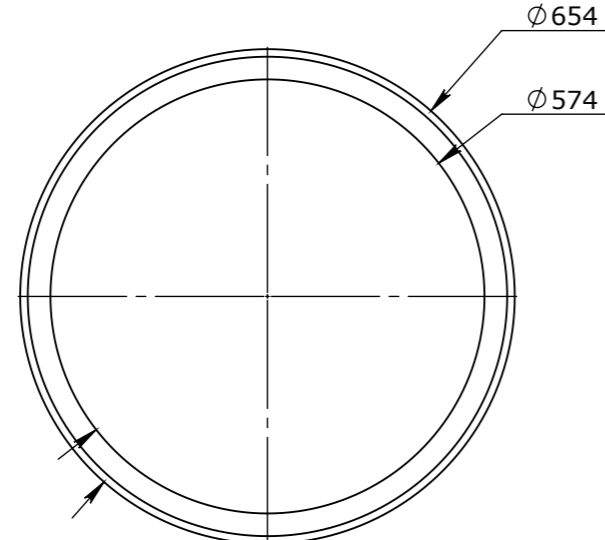
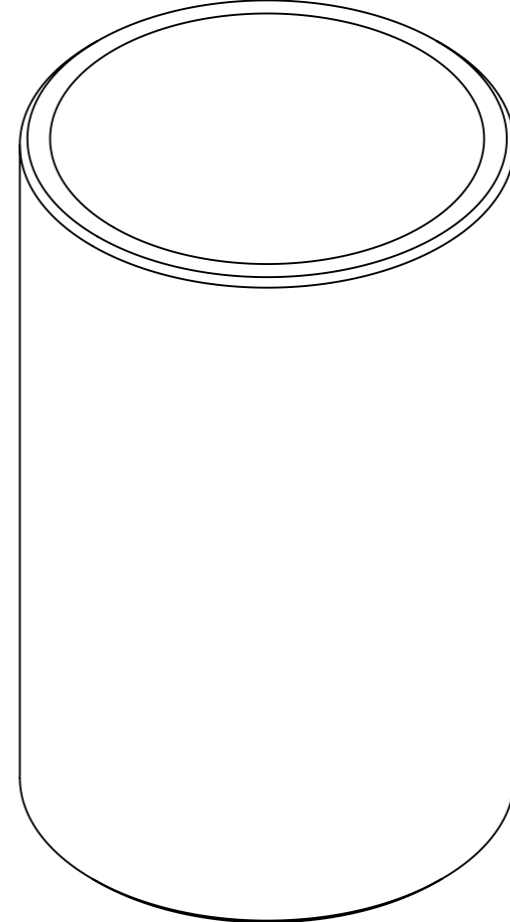


**BOM:5020311**

ITEM #	PART #	DESCRIPTION	WEIGHT
1	5020311	ROADS CORP RING SMOOTH	75.4

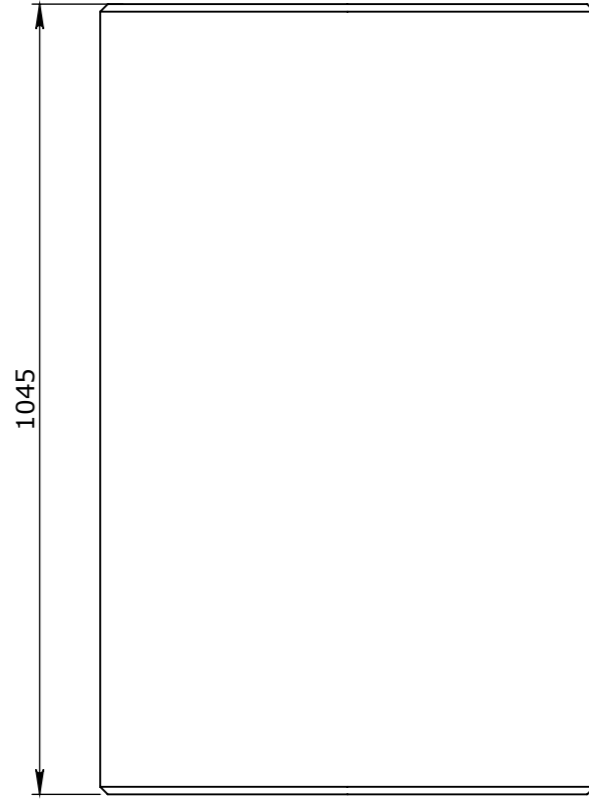


**PLAN VIEW**  
SCALE\_1:10



**ISOMETRIC VIEW**

SCALE\_1:10



**ELEVATION VIEW**

SCALE\_1:10

UNCONTROLLED DOCUMENT WHEN PRINTED

- TOLERANCE NOTES:**
1. CONCRETE TOLERANCES TO BE IN CONJUNCTION / ACCORDANCE WITH AS3600 - CONCRETE STRUCTURES
  2. WHEN A BROOM FINISH IS REQUIRED THE GENERAL TOLERANCE SUPERCEDES THE FLATNESS TOLERANCE
  3. WALL THICKNESS - DIMENSION AS NOTED IS MINIMUM THICKNESS ONLY
  4. CONCRETE GRADE - 40MPA UNLESS NOTED OTHERWISE
  5. DIMENSIONS ARE NOT INCLUSIVE OF SEALANTS OF JOINTS
  6. SURFACE FINISH - CLASS 4 (AS3610.1)

Rev	DESCRIPTION	DATE	BY	APPROVED
3				
2				
1				

GENERAL TOLERANCES		REVISION CONTROL	
NOMINAL:	UP TO 1000mm	1M AND ABOVE	FLATNESS: (NOT INCLUDING BROOME FINISH)
TOLERANCE:	±5mm	1mm IN 200mm UP TO A MAXIMUM OF 20mm	±4mm PER 1M WIDTH IN 1M LENGTH

CHK / APPR:	
DATE:	
RPEQ DOCUMENT #:	
WEIGHT:	75.4Kg
MATERIAL:	BVCI HDPE (PLASTIC)
IRF REF:	

**Infrastructure Products Australia**  
A CRH COMPANY

HEAD OFFICE:  
1 REEVES COURT  
BREAKWATER, VIC 3219  
1800 065 356

ENGINEERING & DEVELOPMENT:  
91 STRADBROKE STREET  
HEATHWOOD, QLD 4110  
(07) 3714 0444

DRAFTED DATE:	22/07/2022
DRAFTED BY:	N.BRADIC
DATE LAST SAVED:	22/07/2022
LAST SAVED BY:	NBRADIC
DRAWN TO AS 1100 DO NOT SCALE FROM SHEET	

**ISSUED FOR CLIENT REVIEW ONLY**

ISSUE	DATE	CLIENT APPROVAL
	22/07/2022	

PART/PRODUCT #	5020311	QUOTE #	ORDER #
REINFORCEMENT COMPUTATION		PIT #	ITEM TYPE
CLIENT	CUBIS SYSTEMS/AUSPITS		
PROJECT DESC			
DRAWING NAME	ROADS CORP RING SMOOTH		
DRAWING #	PAGE	SHEET SIZE	SCALE
5020311	1 / 1	A3	1:20