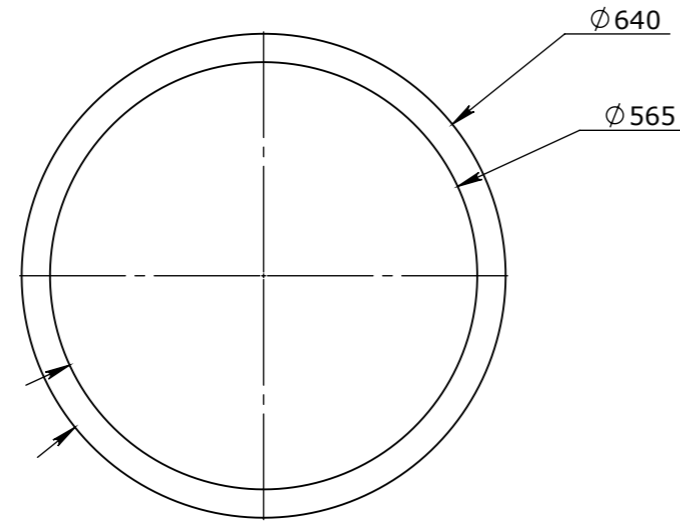


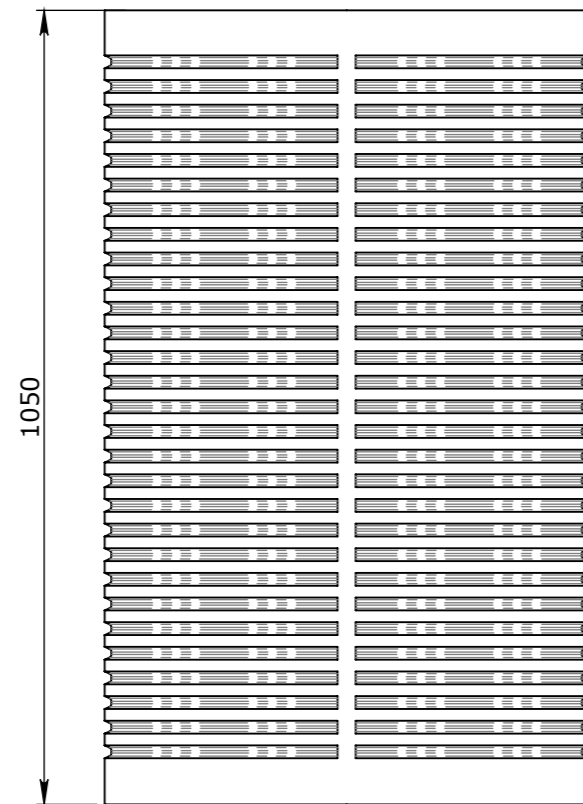
BOM:5020310

ITEM #	PART #	DESCRIPTION	WEIGHT
1	5020310	ROADS CORP RING RIBBED	13.05



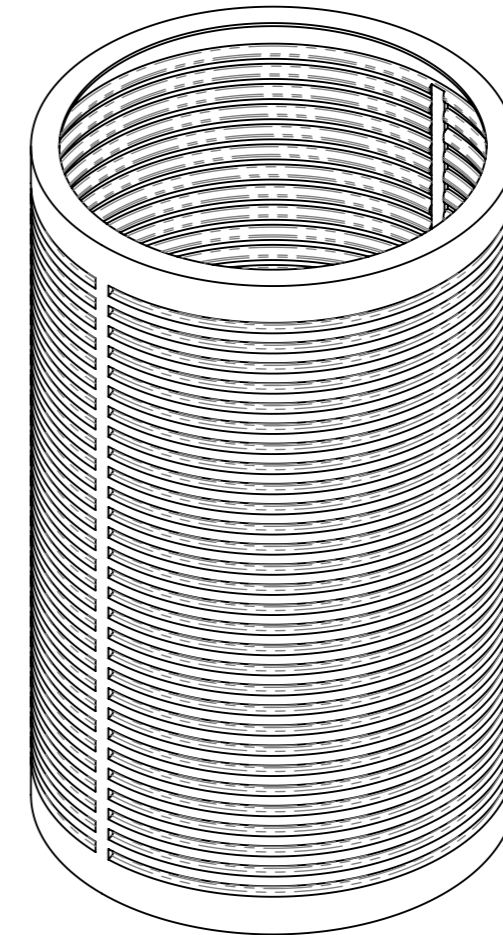
PLAN VIEW

SCALE_1:10



ELEVATION VIEW

SCALE_1:10



ISOMETRIC VIEW

SCALE_1:10

UNCONTROLLED DOCUMENT WHEN PRINTED

- TOLERANCE NOTES:**
1. CONCRETE TOLERANCES TO BE IN CONJUNCTION / ACCORDANCE WITH AS3600 - CONCRETE STRUCTURES
 2. WHEN A BROOM FINISH IS REQUIRED THE GENERAL TOLERANCE SUPERCEDES THE FLATNESS TOLERANCE
 3. WALL THICKNESS - DIMENSION AS NOTED IS MINIMUM THICKNESS ONLY
 4. CONCRETE GRADE - 40MPA UNLESS NOTED OTHERWISE
 5. DIMENSIONS ARE NOT INCLUSIVE OF SEALANTS OF JOINTS
 6. SURFACE FINISH - CLASS 4 (AS3610.1)

Rev	DESCRIPTION	DATE	BY	APPROVED
3				
2				
1				

GENERAL TOLERANCES		REVISION CONTROL	
NOMINAL:	UP TO 1000mm	1M AND ABOVE	FLATNESS: (NOT INCLUDING BROOME FINISH)
TOLERANCE:	±5mm	1mm IN 200mm UP TO A MAXIMUM OF 20mm	±4mm PER 1M WIDTH IN 1M LENGTH

CHK / APPR:	
DATE:	
RPEQ DOCUMENT #:	
WEIGHT:	13.05Kg
MATERIAL:	BVCI HDPE (PLASTIC)
IRF REF:	

Infrastructure Products Australia
A CRH COMPANY

HEAD OFFICE:
1 REEVES COURT
BREAKWATER, VIC 3219
1800 065 356

ENGINEERING & DEVELOPMENT:
91 STRADBROKE STREET
HEATHWOOD, QLD 4110
(07) 3714 0444

DRAFTED DATE:	22/07/2022
DRAFTED BY:	
DATE LAST SAVED:	22/07/2022
LAST SAVED BY:	NBRADIC
DRAWN TO AS 1100 DO NOT SCALE FROM SHEET	

ISSUED FOR CLIENT REVIEW ONLY			
ISSUE	DATE	CLIENT APPROVAL	
	22/07/2022		
PART/PRODUCT #	5020310	QUOTE #	ORDER #
REINFORCEMENT COMPUTATION		PIT #	ITEM TYPE
CLIENT	CUBIS SYSTEMS/AUSPITS		
PROJECT DESC			
DRAWING NAME	ROADS CORP RING RIBBED		REV.
DRAWING #	5020310	PAGE	1 / 1
		SHEET SIZE	A3
		SCALE	1:20
			A