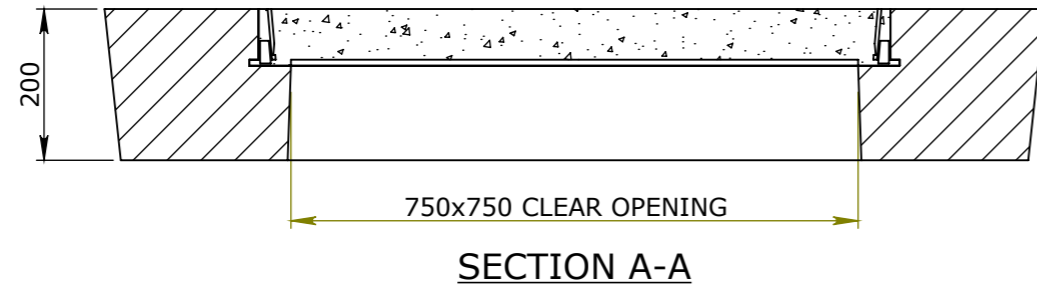
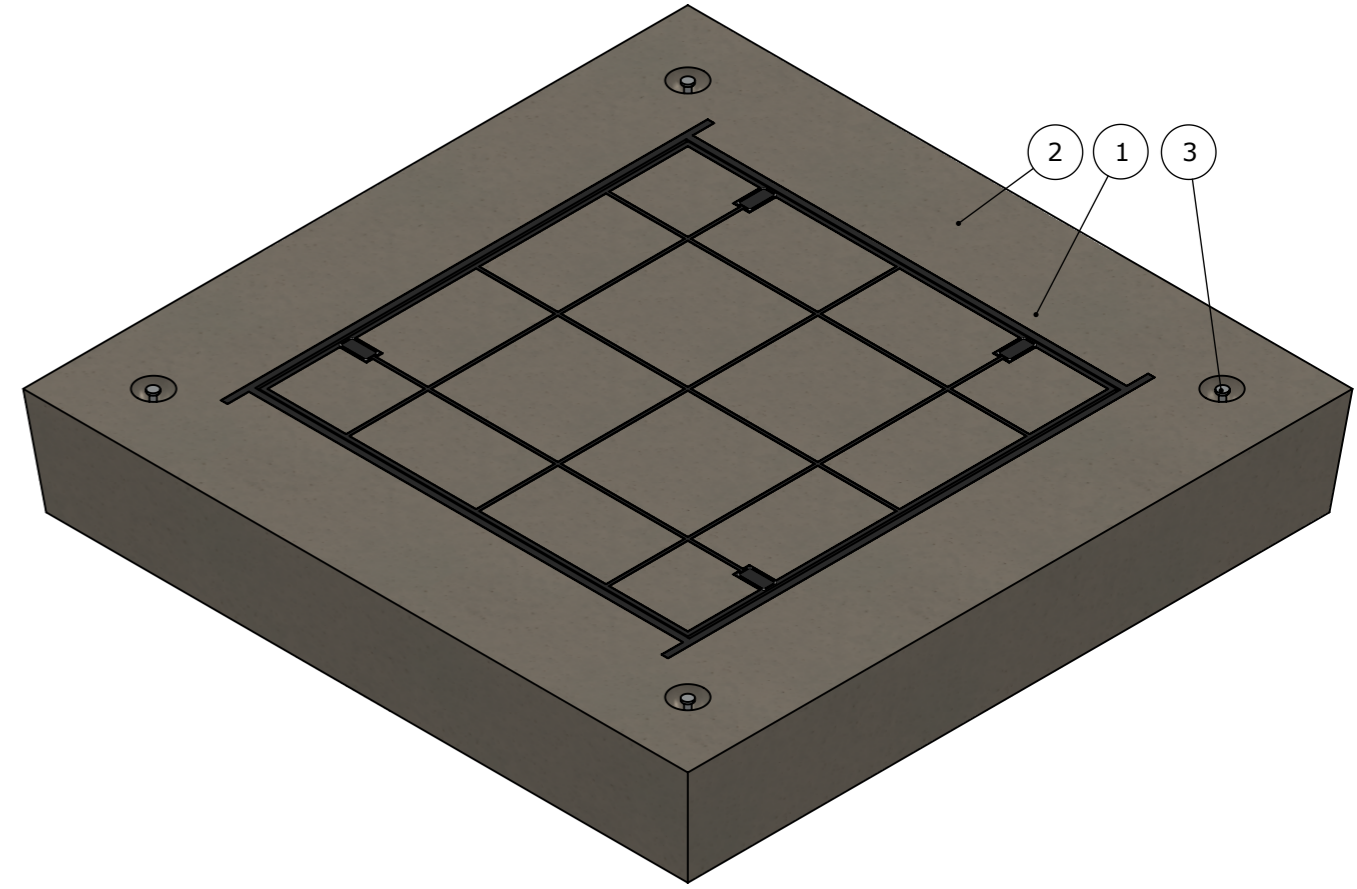
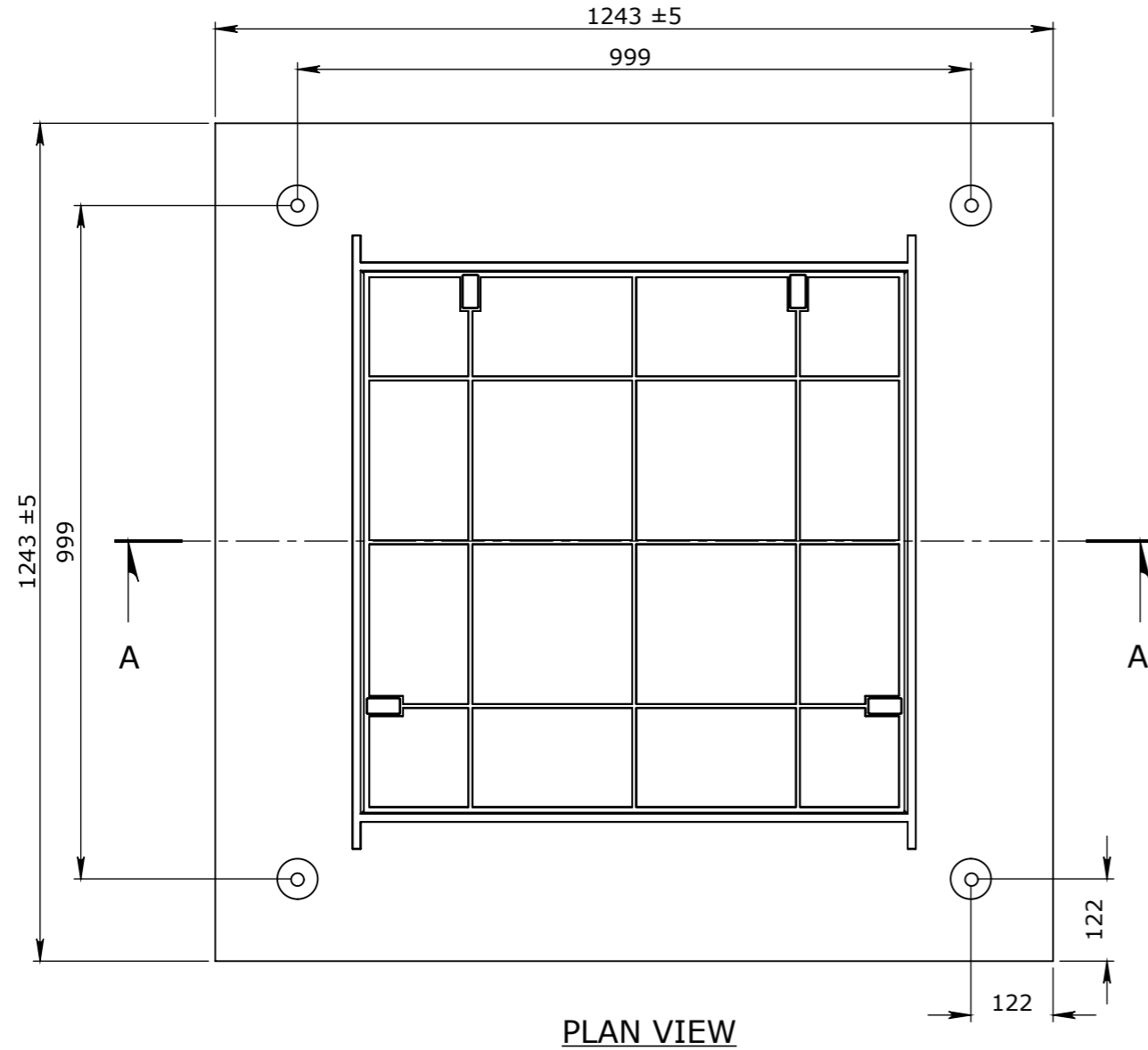


BILL OF MATERIALS

ITEM NO.	QTY.	DESCRIPTION
1	1	77D INFIL COVER
2	1	CONCRETE 40Mpa FIBRE MIX MP47 ES401
3	4	FOOT ANCHOR - 1.3Tx120



TOLERANCE NOTES:

1. CONCRETE TOLERANCES TO BE IN CONJUNCTION / ACCORDANCE WITH AS3600 - CONCRETE STRUCTURES
2. WHEN A BROOME FINISH IS REQUIRED THE GENERAL TOLERANCE SUPERCEEDS THE FLATNESS TOLERANCE
3. WALL THICKNESS - DIMENSION AS NOTED IS MINIMUM THICKNESS ONLY
4. CONCRETE GRADE - 40MPA UNLESS NOTED OTHERWISE
5. DIMENSIONS ARE NOT INCLUSIVE OF SEALANTS OF JOINTS
6. SURFACE FINISH - CLASS 4 (AS3610.1)

Rev	DESCRIPTION	DATE	BY	APPROVED
3				
2				
1	EYE ANCHOR LOCATIONS NOTED AT 122MM AWAY FROM EACH SIDE	12/04/18	MO	

GENERAL TOLERANCES		REVISION CONTROL	
NOMINAL:	UP TO 1000mm	1M AND ABOVE	FLATNESS: (NOT INCLUDING BROOME FINISH)
TOLERANCE:	±5mm	1mm IN 200mm UP TO A MAXIMUM OF 20mm	±4mm PER 1M WIDTH IN 1M LENGTH

CHK / APPR:	M.LEE
DATE:	20/10/2015
RPEQ DOCUMENT #:	
WEIGHT:	610.66Kg
MATERIAL:	CONCRETE 40MPa



HEAD OFFICE:
CARNHAM ROAD
BALLARAT, VIC 3351
(03) 5335 8741

ENGINEERING & DEVELOPMENT:
2 STRADBROKE STREET
HEATHWOOD, QLD 4110
(07) 3714 0444

DRAFTED DATE:	30/09/2015
DRAFTED BY:	P.ADAMS
DATE LAST SAVED:	21/12/2020
LAST SAVED BY:	MLe
DRAWN TO AS 1100	DO NOT SCALE FROM SHEET

PROJECT:	CUBIS SYSTEMS 1200 ENCASEMENT WITH INFIL COVER GENERAL ARRANGEMENT		
NAME:	1200 ENCASEMENT, 77D INFIL COVER		
DRAWING No:	50201697		
PAGE:	1/1	SHEET:	A3
SCALE UNO:	1:10		
REV	0		