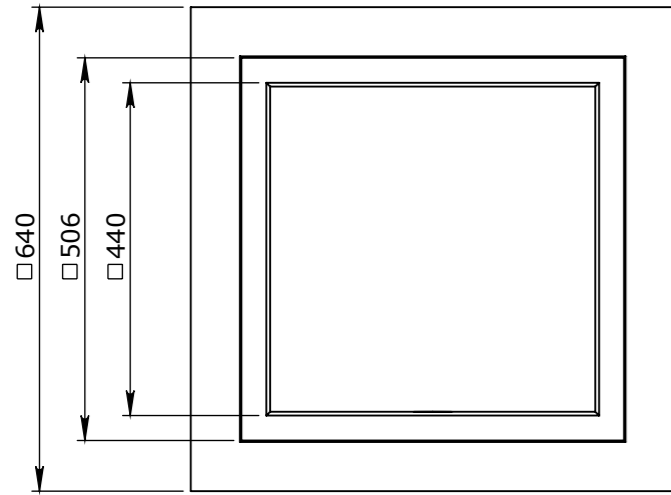


FIBRE CONCRETE PRODUCT NOTE:

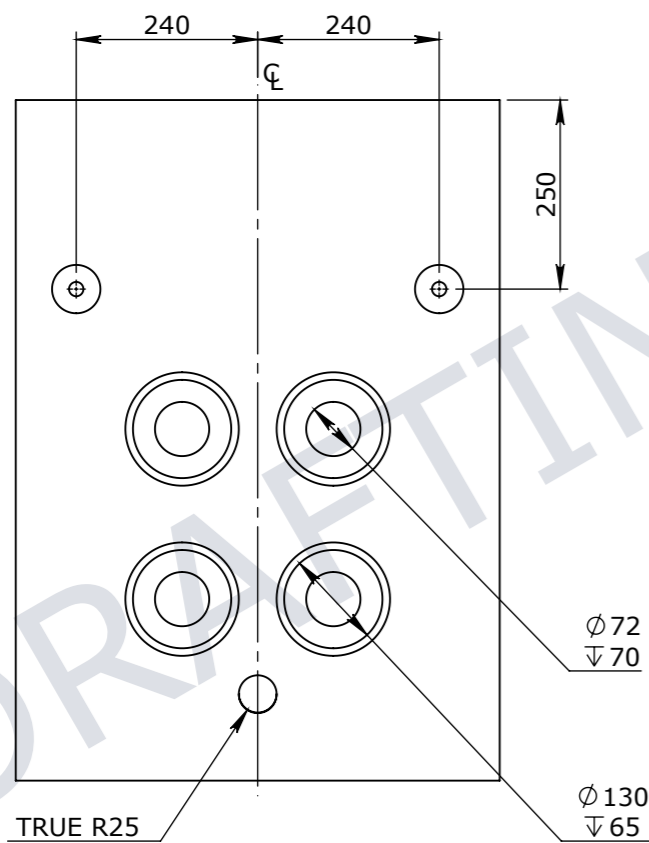
- REFER TO GENERAL TOLERANCES UNO
- 40MPa FIBRE REINFORCED CONCRETE (FIBRECON MP47@5Kg/M³)
- ALL LIFTING POINTS TO BE USED WHEN LIFTING
- MINIMUM STRENGTH OF CONCRETE SHALL BE 25MPa AT THE TIME OF LIFTING
- COVER TO REINFORCEMENT TO BE 50mm
- REFER TO ANCON LIFTING ARRANGEMENT PLAN
- REFER TO DRAWING [50201628-PRO] FOR REO ARRANGEMENT

BOM:50201628_PIT CONCRETE 445x445x810x100mm CLASS D

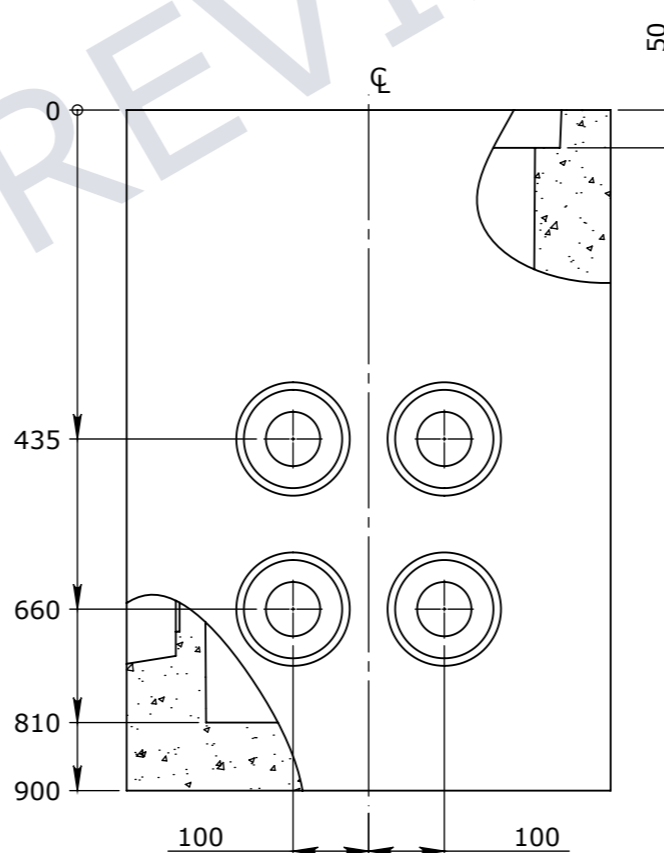
ITEM #	QTY.	DESCRIPTION	MATERIAL	VOLUME
1	1	CONCRETE FIBRE 40MPa	CONCRETE 40MPa	0.20
2	4	FOOT ANCHOR ZP 1.3Tx65mm	MS GR-250 GALV	



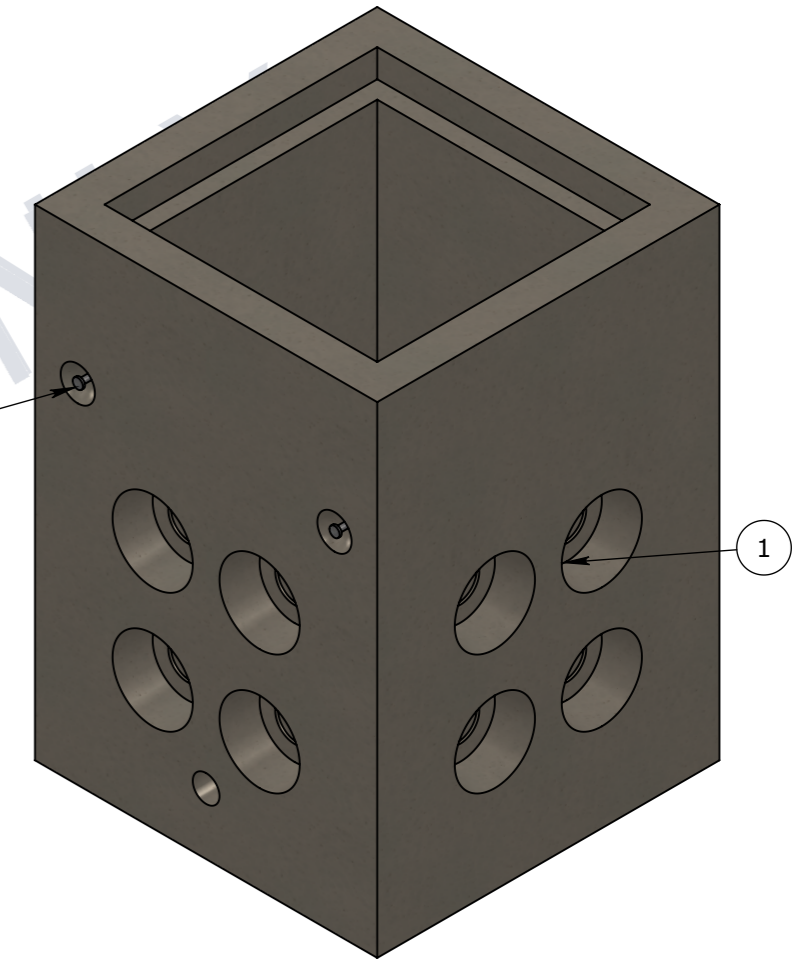
PLAN VIEW



ELEVATION VIEW



END VIEW



ISOMETRIC VIEW

UNCONTROLLED DOCUMENT PRINTED

- TOLERANCE NOTES:**
- CONCRETE TOLERANCES TO BE INCONJUNCTION / ACCORDANCE WITH AS3600 - CONCRETE STRUCTURES
 - WHEN A BROOME FINISH IS REQUIRED THE GENERAL TOLERANCE SUPERCEEDS THE FLATNESS TOLERANCE
 - WALL THICKNESS - DIMENSION AS NOTED IS MINIMUM THICKNESS ONLY
 - CONCRETE GRADE - 40MPa UNLESS NOTED OTHERWISE
 - DIMENSIONS ARE NOT INCLUSIVE OF SEALANTS OF JOINTS
 - SURFACE FINISH - CLASS 4 (AS3610.1)

Rev	DESCRIPTION	DATE	BY	APPROVED
3				
2				
1				

GENERAL TOLERANCES		REVISION CONTROL	
NOMINAL:	UP TO 1000mm	1M AND ABOVE	FLATNESS: (NOT INCLUDING BROOME FINISH)
TOLERANCE:	±5mm	1mm IN 200mm UP TO A MAXIMUM OF 20mm	±4mm PER 1M WIDTH IN 1M LENGTH

CHK / APPR:	CA
DATE:	
RPEQ DOCUMENT #:	
WEIGHT:	478.02Kg
MATERIAL:	CONCRETE 40MPa
IRF REF:	

CUBIS SYSTEMS
A CRH COMPANY

HEAD OFFICE:
CARNGHAM ROAD
BALLARAT, VIC 3351
(03) 5335 8741

ENGINEERING & DEVELOPMENT:
91 STRADBROKE STREET
HEATHWOOD, QLD 4110
(07) 3714 0444

THE INFORMATION DISCLOSED IN THIS DOCUMENT IS CONFIDENTIAL AND IS NOT WITHOUT THE EXPRESS CONSENT OF CUBIS SYSTEMS

AUSTRALIA TO BE COPIED, REPRODUCED, OR GIVEN TO ANY OTHER PARTY IN ANY FORM AND THAT ALL COPYRIGHT, DESIGNS AND PATENTS VEST IN CUBIS SYSTEMS AUS.

DRAFTED DATE:	18/01/2021
DRAFTED BY:	
DATE LAST SAVED:	18/01/2021
LAST SAVED BY:	ACHAO
DRAWN TO AS 1100 DO NOT SCALE FROM SHEET	

PART/PRODUCT #	50201628	QUOTE #		ORDER #	
REINFORCEMENT COMPUTATION		PIT #		ITEM TYPE	
CLIENT					
PROJECT DESC	PIT CONCRETE 445x445x810x100mm CLASS D				
DRAWING NAME	450X450X810 PIT, ELECTRICAL				
DRAWING #	50201628	PAGE	1 / 1	SHEET SIZE	A3
SCALE	1:10				
REV.	A				