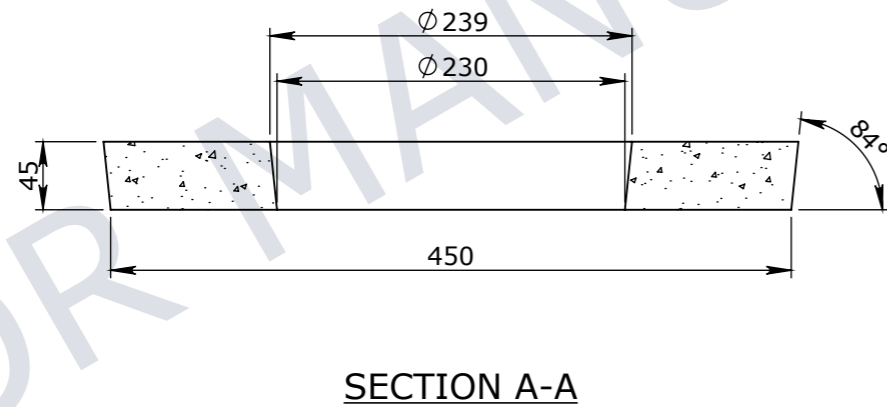
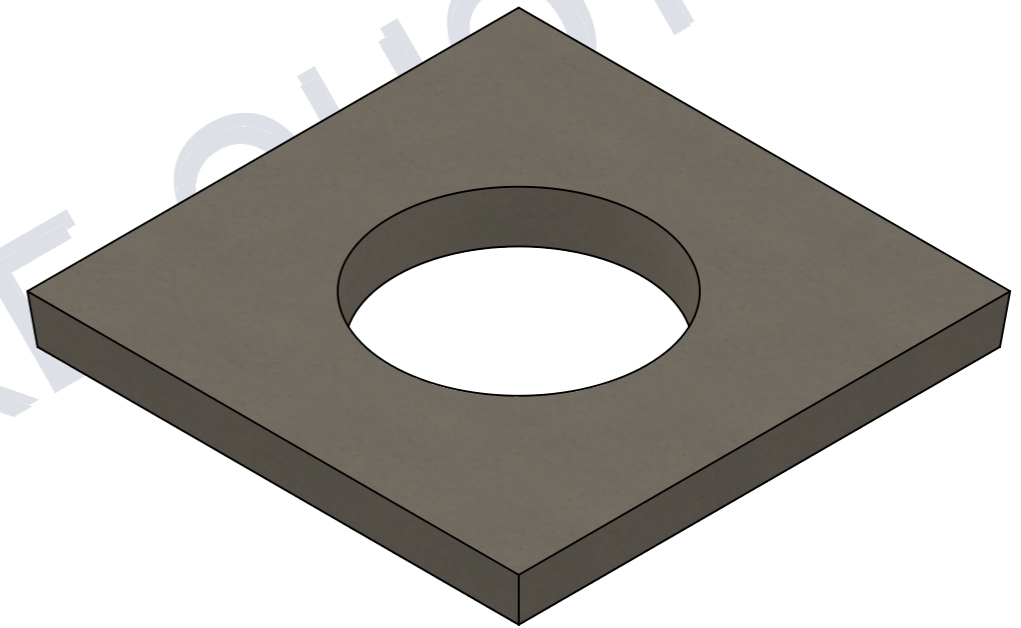
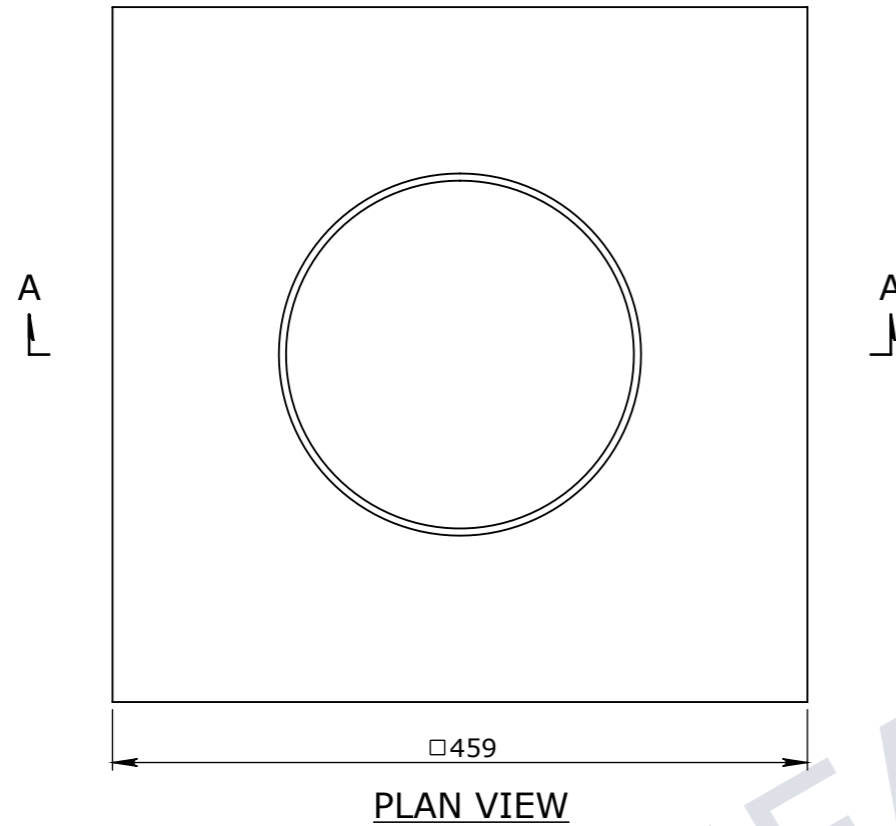


**CONCRETE PRODUCT NOTE:**

1. REFER TO GENERAL TOLERANCES UNO
2. GRADE OF CONCRETE - 40MPA
3. COVER TO REINFORCEMENT TO BE 50mm
4. CONCRETE VOLUME (M<sup>3</sup>) = [0.008]

**BOM:50201246**

ITEM #	QTY.	PART #	DESCRIPTION	MATERIAL	VOLUME
1	1	50201265	CONCRETE 40MPA	CONCRETE 40MPa	0.007



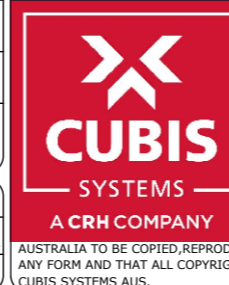
UNCONTROLLED DOCUMENT WHEN PRINTED

- TOLERANCE NOTES:**
1. CONCRETE TOLERANCES TO BE IN CONJUNCTION / ACCORDANCE WITH AS3600 - CONCRETE STRUCTURES
  2. WHEN A BROOME FINISH IS REQUIRED THE GENERAL TOLERANCE SUPERCEEDS THE FLATNESS TOLERANCE
  3. WALL THICKNESS - DIMENSION AS NOTED IS MINIMUM THICKNESS ONLY
  4. CONCRETE GRADE - 40MPA UNLESS NOTED OTHERWISE
  5. DIMENSIONS ARE NOT INCLUSIVE OF SEALANTS OF JOINTS
  6. SURFACE FINISH - CLASS 4 (AS3610.1)

Rev	DESCRIPTION	DATE	BY	APPROVED
3				
2				
1				

GENERAL TOLERANCES		REVISION CONTROL	
NOMINAL:	UP TO 1000mm	1M AND ABOVE	FLATNESS: (NOT INCLUDING BROOME FINISH)
TOLERANCE:	±5mm	1mm IN 200mm UP TO A MAXIMUM OF 20mm	±4mm PER 1M WIDTH IN 1M LENGTH

CHK / APPR: chanaka	RPEQ DOCUMENT #:
DATE: A.Chaosingh e	
WEIGHT: 18.0Kg	
MATERIAL: CONCRETE 40MPA	
IRF REF:	



**HEAD OFFICE:**  
CARNHAM ROAD  
BALLARAT, VIC 3351  
(03) 5335 8741

**ENGINEERING & DEVELOPMENT:**  
91 STRADBROKE STREET  
HEATHWOOD, QLD 4110  
(07) 3714 0444

THE INFORMATION DISCLOSED IN THIS DOCUMENT IS CONFIDENTIAL AND IS NOT WITHOUT THE EXPRESS CONSENT OF CUBIS SYSTEMS

AUSTRALIA TO BE COPIED, REPRODUCED, OR GIVEN TO ANY OTHER PARTY IN ANY FORM AND THAT ALL COPYRIGHT, DESIGNS AND PATENTS VEST IN CUBIS SYSTEMS AUS.

DRAFTED DATE: 15/09/2020	DRAWN TO AS 1100 DO NOT SCALE FROM SHEET
DRAFTED BY: A.CHAO	
DATE LAST SAVED: 14/10/2020	
LAST SAVED BY: CABEYSINGH	

PART/PRODUCT # 50201246	QUOTE #	ORDER #
REINFORCEMENT COMPUTATION	PIT #	ITEM TYPE COLLAR
CLIENT CUBIS SYSTEMS/AUSPITS	PROJECT DESC CUBIS SYSTEMS - CATALOGUE PRODUCTS	
DRAWING NAME COLLAR CONCRETE JOINTING POST BASE	DRAWING # 50201246	REV. 0
PAGE 1 / 1	SHEET SIZE A3	SCALE 1:5