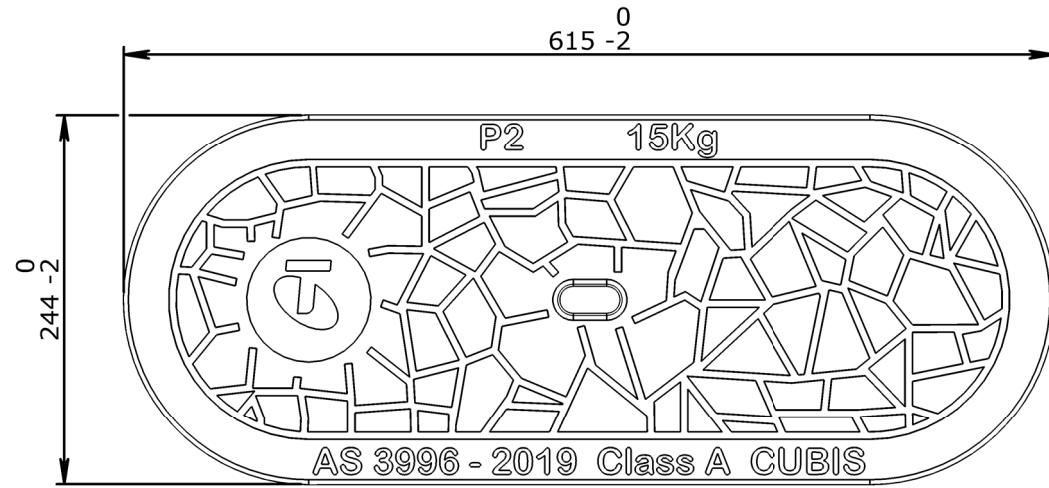
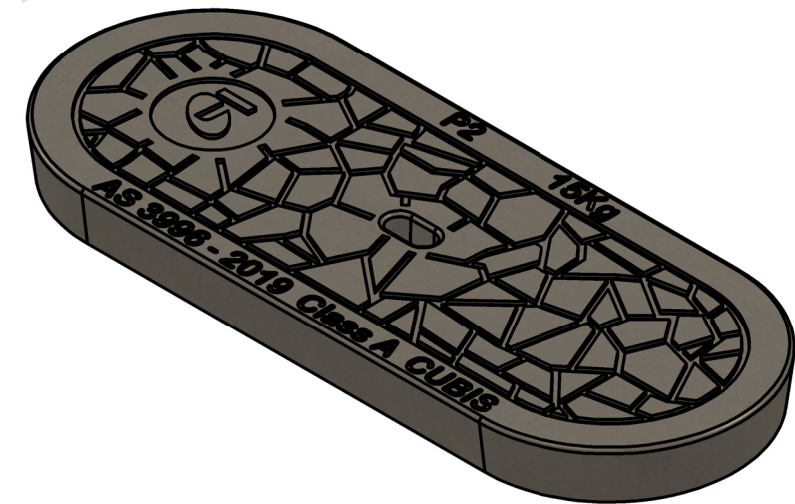


CONCRETE NOTE:

1. REFER TO GENERAL TOLERANCES UNO
2. GRADE OF CONCRETE - 40MPA
3. ALL LIFTING POINTS TO BE USED WHEN LIFTING
4. MINIMUM STRENGTH OF CONCRETE SHALL BE 25MPA AT THE TIME OF LIFTING
5. REFER TO BVCI-INS-C-001 (STD INSTALLATION GUIDE) FOR INSTALLATION DETAILS
6. REFER TO ANCON LIFTING ARRANGEMENT PLAN



PLAN VIEW



ISOMETRIC VIEW



ELEVATION VIEW

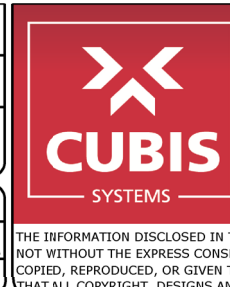
UNCONTROLLED DOCUMENT WHEN PRINTED

- TOLERANCE NOTES:**
1. CONCRETE TOLERANCES TO BE IN CONJUNCTION / ACCORDANCE WITH AS3600 - CONCRETE STRUCTURES WHEN A BROOME FINISH IS REQUIRED THE GENERAL TOLERANCE SUPERCEEDS THE FLATNESS TOLERANCE
 2. WALL THICKNESS - DIMENSION AS NOTED IS MINIMUM THICKNESS ONLY CONCRETE GRADE - 40MPA UNLESS NOTED OTHERWISE
 3. DIMENSIONS ARE NOT INCLUSIVE OF SEALANTS OF JOINTS
 4. SURFACE FINISH - CLASS 4 (AS3610.1)

Rev	DESCRIPTION	DATE:	BY:	ECO#:

GENERAL TOLERANCES		REVISION CONTROL	
NOMINAL:	UP TO 1000mm	1M AND ABOVE	FLATNESS: (NOT INCLUDING BROOME FINISH)
TOLERANCE:	±5mm	1mm IN 200mm UP TO A MAXIMUM OF 20mm	±4mm PER 1M WIDTH IN 1M LENGTH

CHK / APPR:	CHANAKA ABEYSINGHE
DATE:	
RPEQ DOCUMENT #:	
WEIGHT:	15Kg
MATERIAL:	CONCRETE 40MPA
SURFACE TREATMENT:	



HEAD OFFICE:
CARNINGHAM ROAD
BALLARAT, VIC 3351
(03) 5335 8741

ENGINEERING & DEVELOPMENT:
2 STRADBROKE STREET
HEATHWOOD, QLD 4110
(07) 3714 0444

PROJECT DESCRIPTION:			
CUBIS SYSTEMS AUSTRALIA CATALOGUE PRODUCTS			
DRAWING NAME: AX S™ P2 COVER CONCRETE TELSTRA CLASS A			
DRAWN TO AS 1100 DO NOT SCALE FROM SHEET	DRAWING No: 50201174	REV: 0	
SHEET: A3	PAGE: 1/1	SCALE UNO: 1:5	DRAFTED DATE: 25/05/2018
		DRAFTED BY: P.ADAMS	