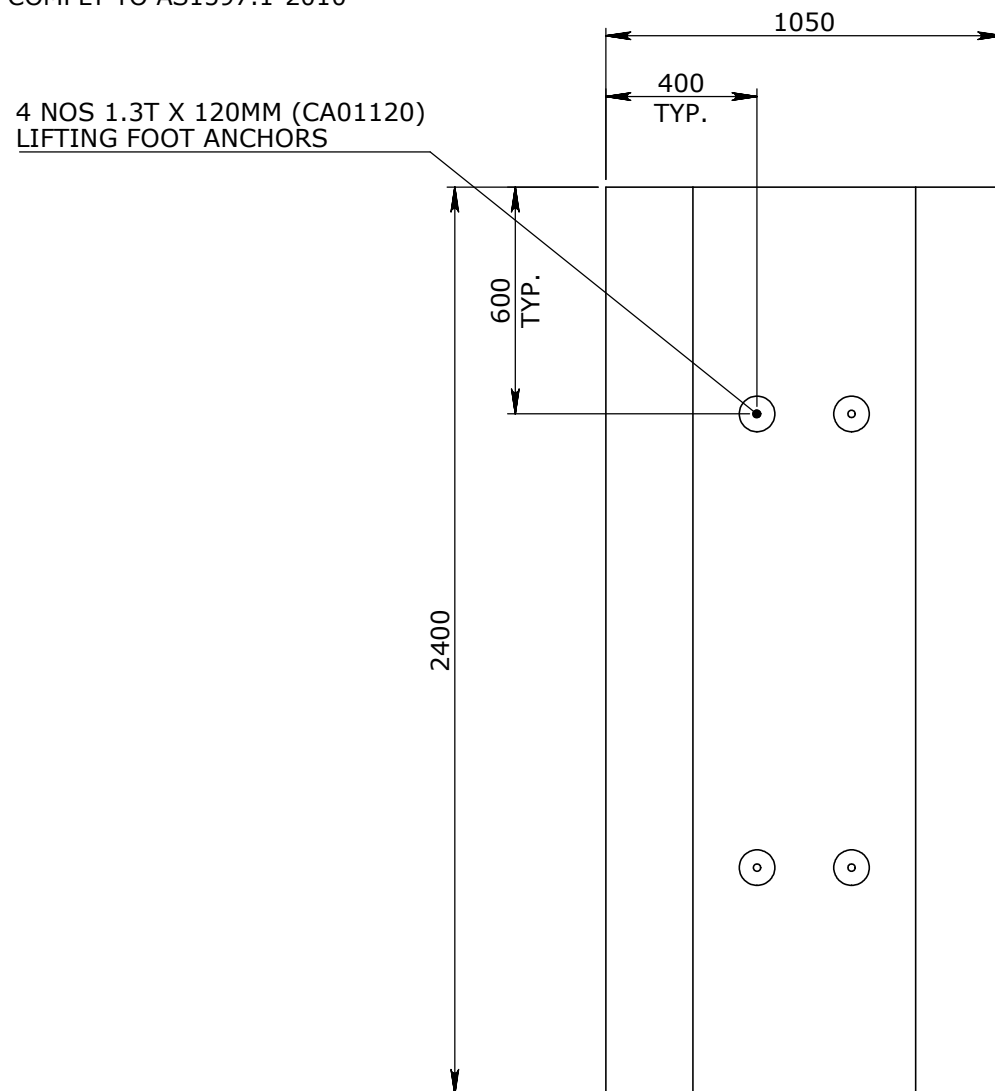
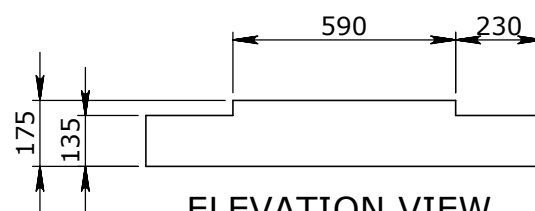


CULVERT BASE SLAB NOTES:

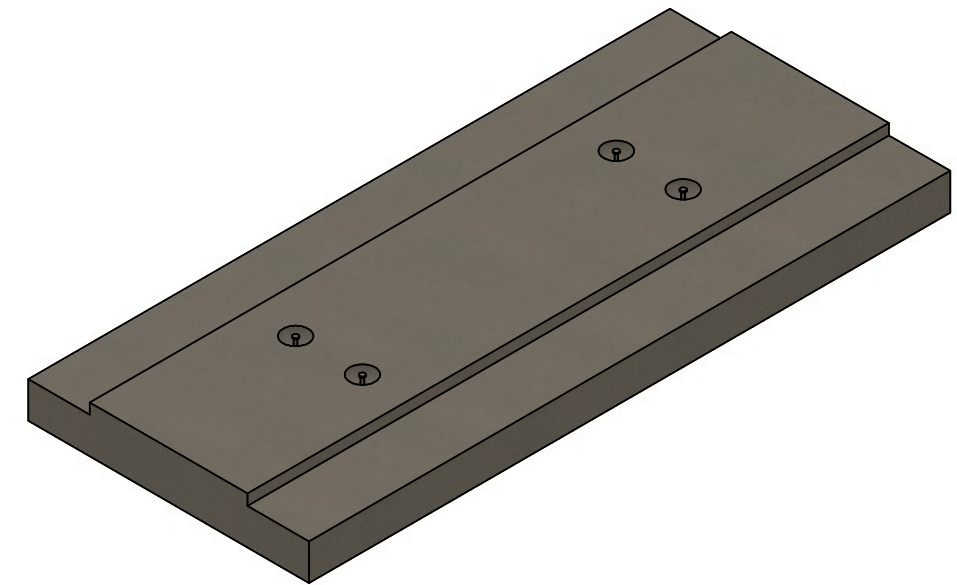
1. REFER TO GENERAL TOLERANCES UNO
2. ALL LIFTING POINTS TO BE USED WHEN LIFTING
3. MINIMUM STRENGTH OF CONCRETE SHALL BE 25MPA AT THE TIME OF LIFTING
4. NOMINAL COVER TO REINFORCEMENT - 35MM
5. REFER TO ANCON LIFTING ARRANGEMENT PLAN
6. BOX CULVERTS COMPLY TO AS1597.1-2010



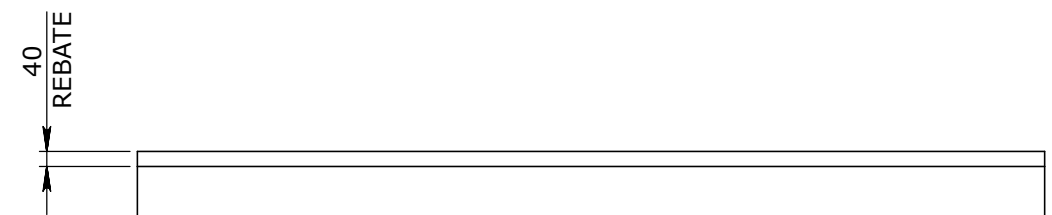
PLAN VIEW
SCALE_1:20



ELEVATION VIEW
SCALE_1:20



ISOMETRIC VIEW
SCALE_1:20



END VIEW
SCALE_1:20

UNCONTROLLED DOCUMENT WHEN PRINTED

TOLERANCE NOTES:

1. CONCRETE TOLERANCES TO BE IN CONJUNCTION / ACCORDANCE WITH AS3600 - CONCRETE STRUCTURES
2. WHEN A BROOME FINISH IS REQUIRED THE GENERAL TOLERANCE SUPERCEEDS THE FLATNESS TOLERANCE
3. WALL THICKNESS - DIMENSION AS NOTED IS MINIMUM THICKNESS ONLY
4. CONCRETE GRADE - 40MPA UNLESS NOTED OTHERWISE
5. DIMENSIONS ARE NOT INCLUSIVE OF SEALANTS OF JOINTS
6. SURFACE FINISH - CLASS 4 (AS3610.1)

Rev	DESCRIPTION	DATE	BY	APPROVED
3				
2				
1				

GENERAL TOLERANCES		REVISION CONTROL	
NOMINAL:	UP TO 1000mm	1M AND ABOVE	FLATNESS: (NOT INCLUDING BROOME FINISH)
TOLERANCE:	±5mm	1mm IN 200mm UP TO A MAXIMUM OF 20mm	±4mm PER 1M WIDTH IN 1M LENGTH

CHK / APPR:	Revee Lein
DATE:	M. Orozco
RPEQ DOCUMENT #:	
WEIGHT:	970.24Kg
MATERIAL:	CONCRETE FIBRE 50MPA
IRF REF:	

Infrastructure Products Australia
A CRH COMPANY

HEAD OFFICE: 1 REEVES COURT, BREAKWATER, VIC 3219, 1800 065 356

ENGINEERING & DEVELOPMENT: 91 STRADBROKE STREET, HEATHWOOD, QLD 4110, (07) 3714 0444

DRAFTED DATE:	24/01/2022
DRAFTED BY:	DPRUSAC
DATE LAST SAVED:	31/03/2023
LAST SAVED BY:	ROROZCO
DRAWN TO AS 1100 DO NOT SCALE FROM SHEET	

PART/PRODUCT #	TMR BASE SLABS	QUOTE #		ORDER #	
REINFORCEMENT COMPUTATION		PIT #	50207211	ITEM TYPE	RCBC BASE
CLIENT	CUBIS SYSTEMS				
PROJECT DESC	RCBC BASE				
DRAWING NAME	BASE SLAB TMR 600-2A 2400mm NOMINAL LENGTH				
DRAWING #	50207211	PAGE	1 / 1	SHEET SIZE	A3
SCALE	1:25	REV. 0			