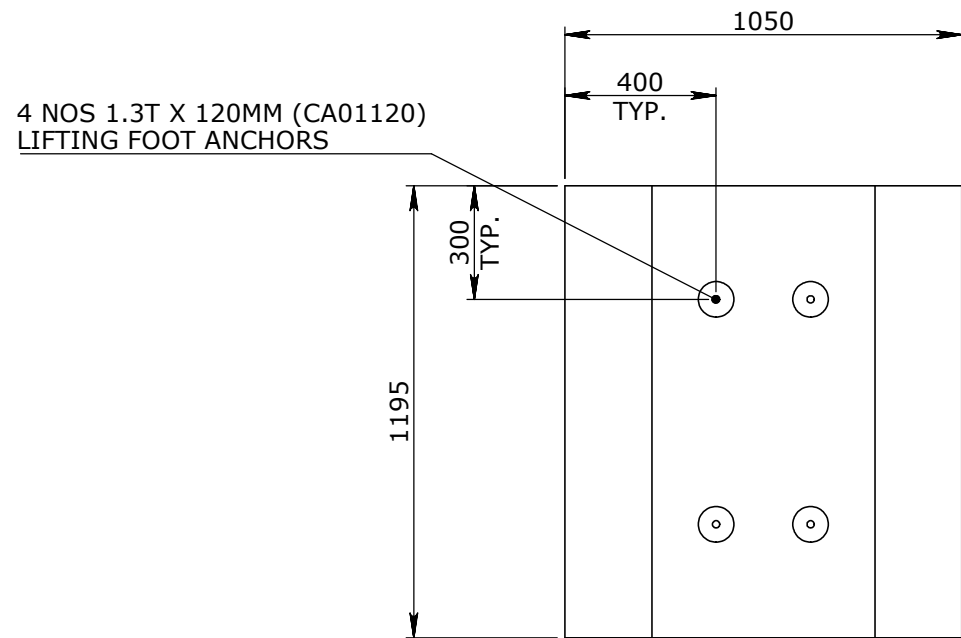


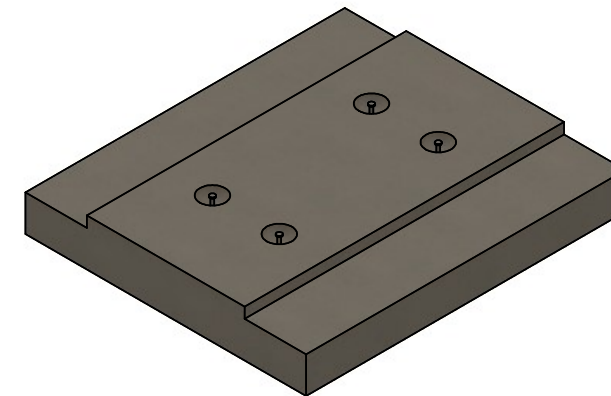
CULVERT BASE SLAB NOTES:

1. REFER TO GENERAL TOLERANCES UNO
2. ALL LIFTING POINTS TO BE USED WHEN LIFTING
3. MINIMUM STRENGTH OF CONCRETE SHALL BE 25MPA AT THE TIME OF LIFTING
4. NOMINAL COVER TO REINFORCEMENT - 35MM
5. REFER TO ANCON LIFTING ARRANGEMENT PLAN
6. BOX CULVERTS COMPLY TO AS1597.1-2010

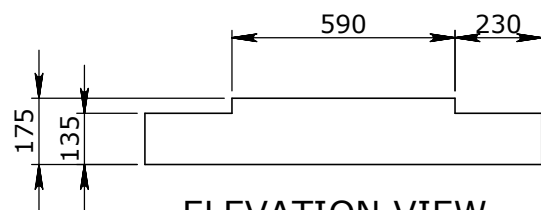


4 NOS 1.3T X 120MM (CA01120)
LIFTING FOOT ANCHORS

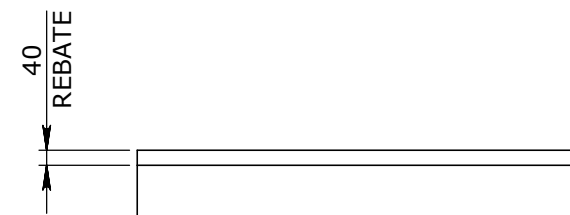
PLAN VIEW
SCALE_1:20



ISOMETRIC VIEW
SCALE_1:20



ELEVATION VIEW
SCALE_1:20



END VIEW
SCALE_1:20

UNCONTROLLED DOCUMENT WHEN PRINTED

TOLERANCE NOTES:

1. CONCRETE TOLERANCES TO BE IN CONJUNCTION / ACCORDANCE WITH AS3600 - CONCRETE STRUCTURES
2. WHEN A BROOME FINISH IS REQUIRED THE GENERAL TOLERANCE SUPERCEDES THE FLATNESS TOLERANCE
3. WALL THICKNESS - DIMENSION AS NOTED IS MINIMUM THICKNESS ONLY
4. CONCRETE GRADE - 40MPA UNLESS NOTED OTHERWISE
5. DIMENSIONS ARE NOT INCLUSIVE OF SEALANTS OF JOINTS
6. SURFACE FINISH - CLASS 4 (AS3610.1)

Rev	DESCRIPTION	DATE	BY	APPROVED
3				
2				
1				

GENERAL TOLERANCES		REVISION CONTROL	
NOMINAL:	UP TO 1000mm	1M AND ABOVE	FLATNESS: (NOT INCLUDING BROOME FINISH)
TOLERANCE:	±5mm	1mm IN 200mm UP TO A MAXIMUM OF 20mm	±4mm PER 1M WIDTH IN 1M LENGTH

CHK / APPR: Revee Lein
DATE: M. Orozco
RPEQ DOCUMENT #:
WEIGHT: 482.09Kg
MATERIAL: CONCRETE FIBRE 50MPA
IRF REF:

Infrastructure Products Australia
A CRH COMPANY

HEAD OFFICE:
1 REEVES COURT
BREAKWATER, VIC 3219
1800 065 356

ENGINEERING & DEVELOPMENT:
91 STRADBROKE STREET
HEATHWOOD, QLD 4110
(07) 3714 0444

DRAFTED DATE: 24/01/2022
DRAFTED BY: DPRUSAC
DATE LAST SAVED: 31/03/2023
LAST SAVED BY: ROROZCO
DRAWN TO AS 1100 DO NOT SCALE FROM SHEET

PART/PRODUCT # TMR BASE SLABS	QUOTE #	ORDER #
REINFORCEMENT COMPUTATION	PIT # 50207210	ITEM TYPE RCBC BASE
CLIENT CUBIS SYSTEMS	PROJECT DESC RCBC BASE	
DRAWING NAME BASE SLAB TMR 600-2A 1200mm NOMINAL LENGTH	DRAWING # 50207210	REV. 0
PAGE 1 / 1	SHEET SIZE A3	SCALE 1:25