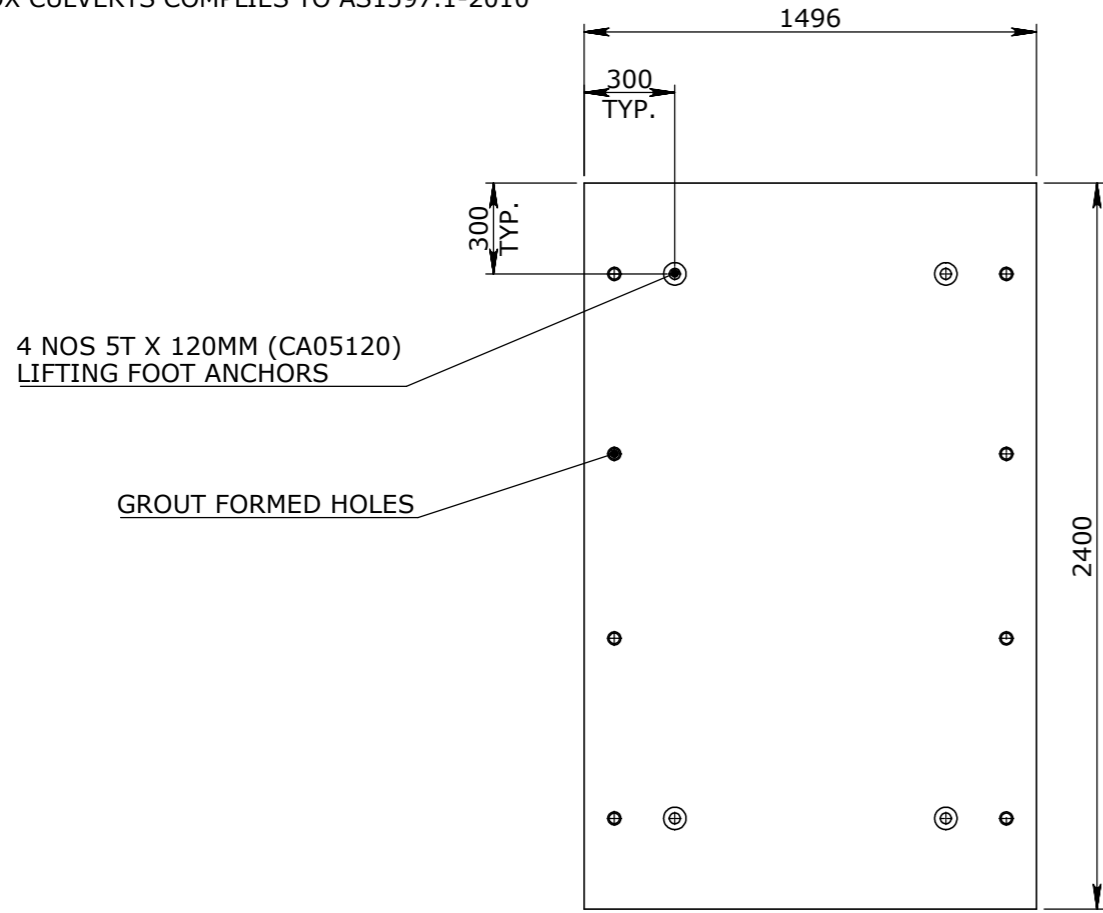


CULVERT NOTES:

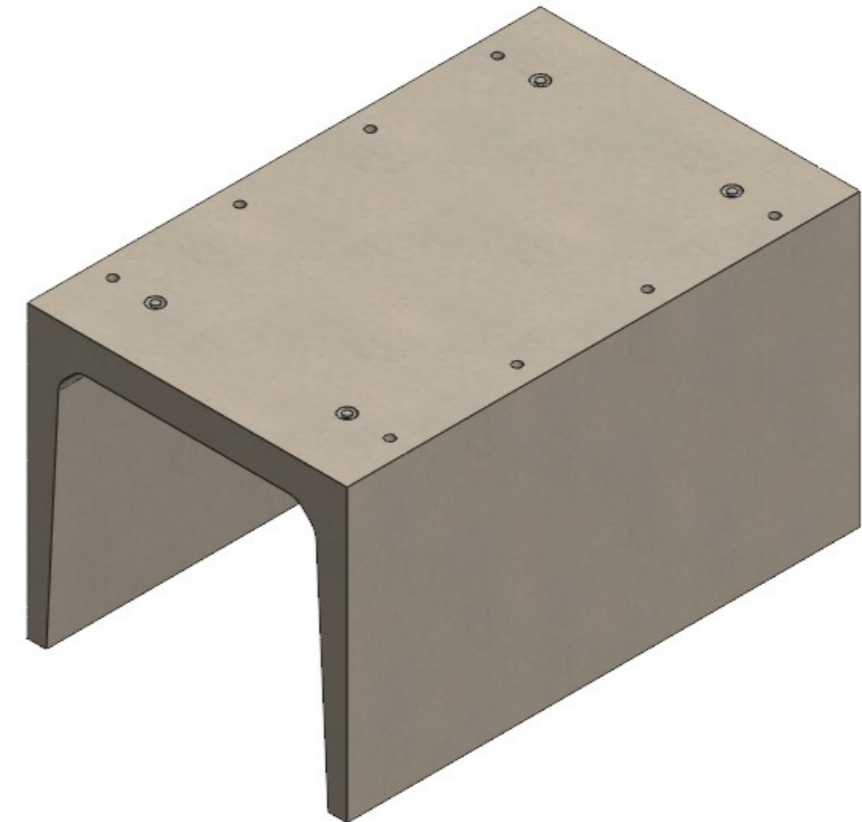
1. REFER TO GENERAL TOLERANCES UNO
2. ALL LIFTING POINTS TO BE USED WHEN LIFTING
3. MINIMUM STRENGTH OF CONCRETE SHALL BE 25MPA AT THE TIME OF LIFTING
4. NOMINAL COVER TO REINFORCEMENT - 35MM
5. REFER TO ANCON LIFTING ARRANGEMENT PLAN
6. BOX CULVERTS COMPLIES TO AS1597.1-2010



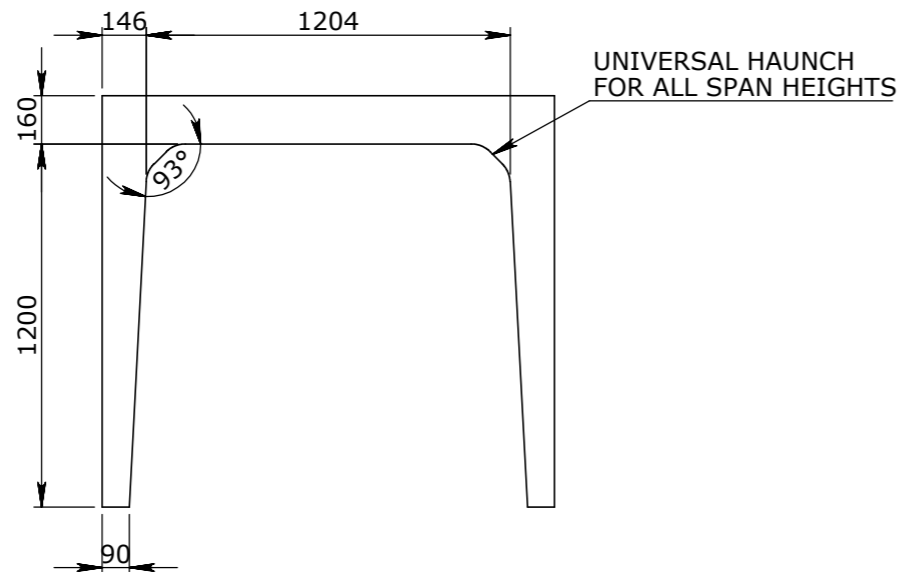
4 NOS 5T X 120MM (CA05120) LIFTING FOOT ANCHORS

GROUT FORMED HOLES

PLAN VIEW



ISOMETRIC VIEW



ELEVATION VIEW



END VIEW

UNCONTROLLED DOCUMENT WHEN PRINTED

TOLERANCE NOTES:

1. CONCRETE TOLERANCES TO BE IN CONJUNCTION / ACCORDANCE WITH AS3600 - CONCRETE STRUCTURES
2. WHEN A BROOME FINISH IS REQUIRED THE GENERAL TOLERANCE SUPERCEEDS THE FLATNESS TOLERANCE
3. WALL THICKNESS - DIMENSION AS NOTED IS MINIMUM THICKNESS ONLY
4. CONCRETE GRADE - 40MPA UNLESS NOTED OTHERWISE
5. DIMENSIONS ARE NOT INCLUSIVE OF SEALANTS OF JOINTS
6. SURFACE FINISH - CLASS 4 (AS3610.1)

| Rev. | DESCRIPTION | DATE | BY | APPROVED |
|------|-------------|------|----|----------|
| 3 | | | | |
| 2 | | | | |
| 1 | | | | |

| GENERAL TOLERANCES | | REVISION CONTROL | |
|--------------------|--------------|--------------------------------------|---|
| NOMINAL: | UP TO 1000mm | 1M AND ABOVE | FLATNESS: (NOT INCLUDING BROOME FINISH) |
| TOLERANCE: | ±5mm | 1mm IN 200mm UP TO A MAXIMUM OF 20mm | ±4mm PER 1M WIDTH IN 1M LENGTH |

| |
|--|
| CHK / APPR: Revee Lein |
| DATE: M. Orozco |
| RPEQ DOCUMENT #: |
| WEIGHT: 3164.80Kg |
| MATERIAL: CONCRETE FIBRE 50MPA |
| IRF REF: |

Infrastructure Products Australia
A CRH COMPANY

HEAD OFFICE:
1 REEVES COURT
BREAKWATER, VIC 3219
1800 065 356

ENGINEERING & DEVELOPMENT:
91 STRADBROKE STREET
HEATHWOOD, QLD 4110
(07) 3714 0444

| |
|---|
| DRAFTED DATE: 24/01/2022 |
| DRAFTED BY: D.PRUSAC |
| DATE LAST SAVED: 31/03/2023 |
| LAST SAVED BY: ROROZCO |
| DRAWN TO AS 1100 DO NOT SCALE FROM SHEET |

| | | |
|---|-------------------------------------|----------------------------------|
| PART/PRODUCT # TMR CULVERT | QUOTE # | ORDER # |
| REINFORCEMENT COMPUTATION | PIT # 50207163 | ITEM TYPE BOX CULVERTS |
| CLIENT CUBIS SYSTEMS | PROJECT DESC BOX CULVERTS | |
| DRAWING NAME BOX CULVERT TMR 1200x1200-2A 2400mm NOMINAL LENGTH | DRAWING # 50207163 | REV. 0 |
| PAGE 1 / 1 | SHEET SIZE A3 | SCALE 1:25 |