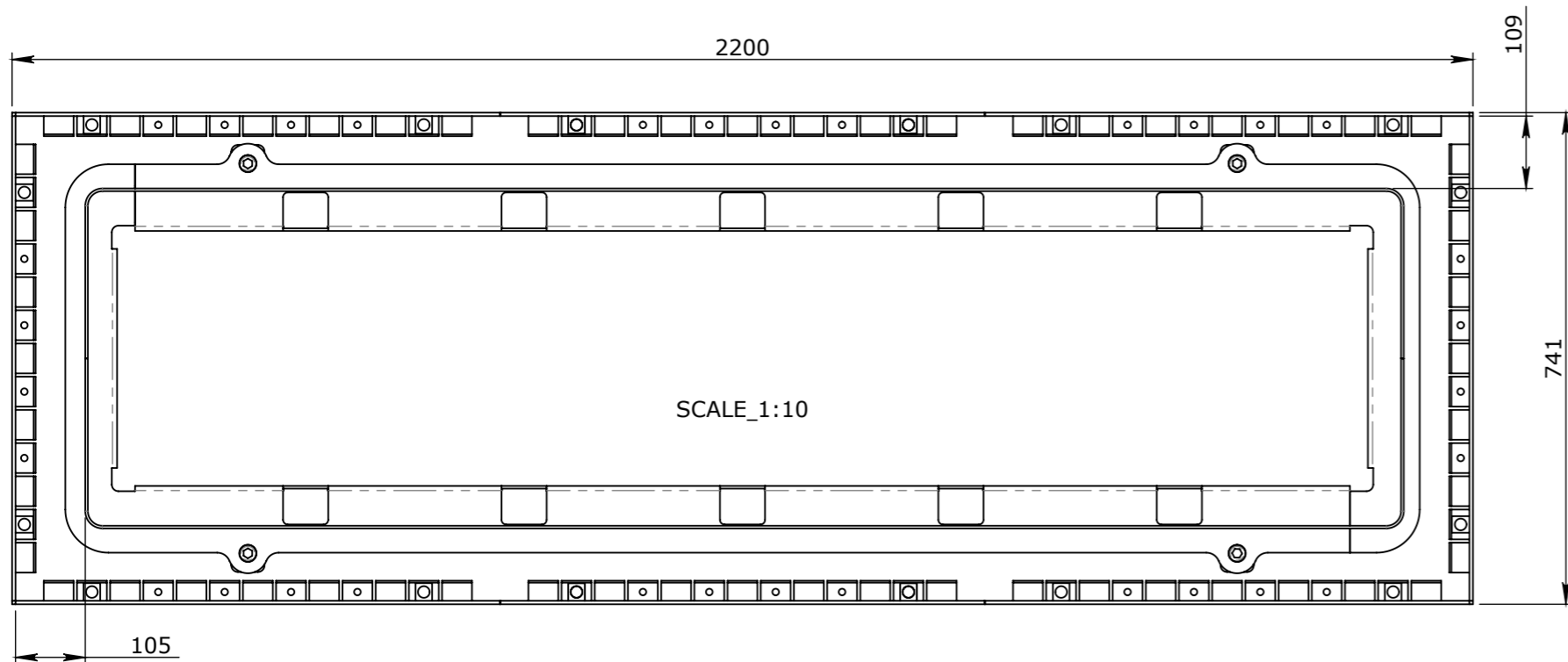
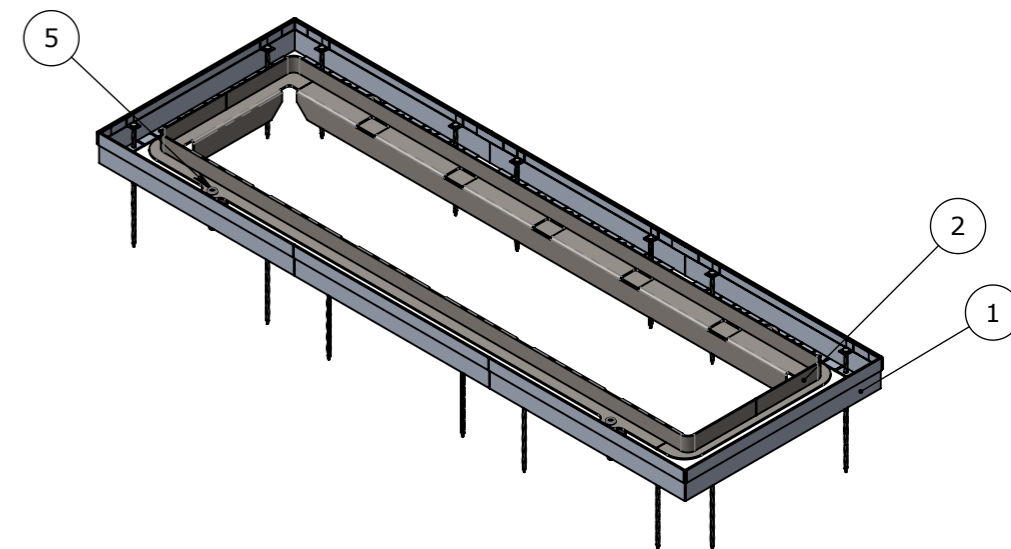


BOM:50203930

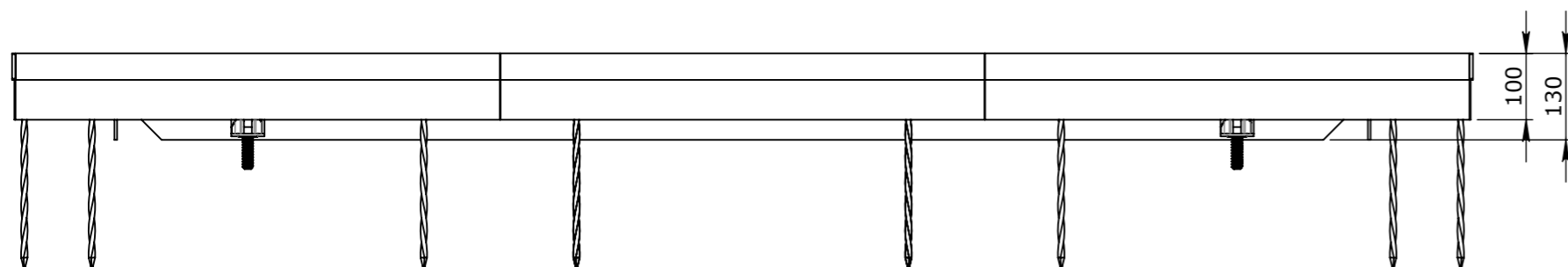
ITEM #	QTY.	PART #	DESCRIPTION	WEIGHT
1	1	50201793	ALUMINIUM EDGING KIT	5.10
2	1	50201874	FRAME TO SUIT P9 PIT	33
3	4	50203308	HS9 ADJUSTMENT BRACKET	0.41
4	4	50201782	NUT FORTRESS ASSEMBLY	0.03
5	4	50201781	BOLT FORTRESS ASSEMBLY	0.03



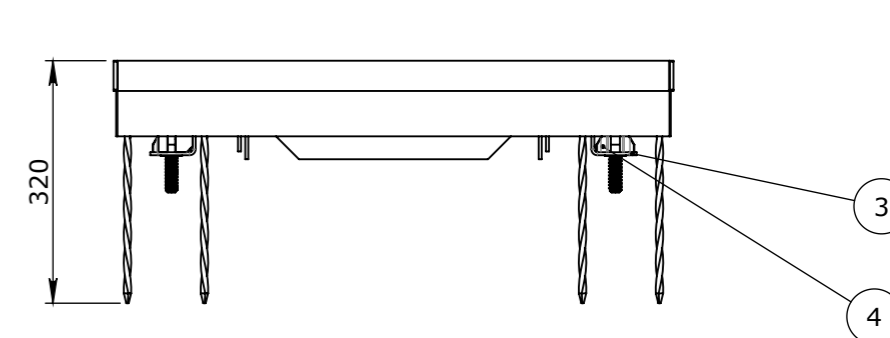
PLAN VIEW



ISOMETRIC VIEW



SCALE_1:10
ELEVATION VIEW



END VIEW

UNCONTROLLED DOCUMENT WHEN PRINTED

- TOLERANCE NOTES:**
1. CONCRETE TOLERANCES TO BE IN CONJUNCTION / ACCORDANCE WITH AS3600 - CONCRETE STRUCTURES
 2. WHEN A BROOM FINISH IS REQUIRED THE GENERAL TOLERANCE SUPERCEDES THE FLATNESS TOLERANCE
 3. WALL THICKNESS - DIMENSION AS NOTED IS MINIMUM THICKNESS ONLY
 4. CONCRETE GRADE - 40MPA UNLESS NOTED OTHERWISE
 5. DIMENSIONS ARE NOT INCLUSIVE OF SEALANTS OF JOINTS
 6. SURFACE FINISH - CLASS 4 (AS3610.1)

Rev.	DESCRIPTION	DATE	BY	APPROVED
3				
2				
1				

GENERAL TOLERANCES		REVISION CONTROL	
NOMINAL:	UP TO 1000mm	1M AND ABOVE	FLATNESS: (NOT INCLUDING BROOME FINISH)
TOLERANCE:	±5mm	1mm IN 200mm UP TO A MAXIMUM OF 20mm	±4mm PER 1M WIDTH IN 1M LENGTH

CHK / APPR:	CA
DATE:	
RPEQ DOCUMENT #:	
WEIGHT:	40.31Kg
MATERIAL:	
IRF REF:	

Infrastructure Products Australia
A CRH COMPANY

HEAD OFFICE: 1 REEVES COURT, BREAKWATER, VIC 3219, 1800 065 356
ENGINEERING & DEVELOPMENT: 91 STRADBROKE STREET, HEATHWOOD, QLD 4110, (07) 3714 0444

DRAFTED DATE:	16/06/2022
DRAFTED BY:	N.BRADIC
DATE LAST SAVED:	16/06/2022
LAST SAVED BY:	NBRADIC
DRAWN TO AS 1100 DO NOT SCALE FROM SHEET	

ISSUED FOR CLIENT REVIEW ONLY

ISSUE	DATE	CLIENT APPROVAL
A	16/06/2022	

PART/PRODUCT #	50202762	QUOTE #	ORDER #
REINFORCEMENT COMPUTATION		PIT #	ITEM TYPE
CLIENT	CUBIS SYSTEMS/AUSPITS		
PROJECT DESC	HS9 KIT		
DRAWING NAME	HS9 CONCEPT PIT		
DRAWING #	PAGE	SHEET SIZE	SCALE
50203930	1 / 1	A3	1:20
			REV. A