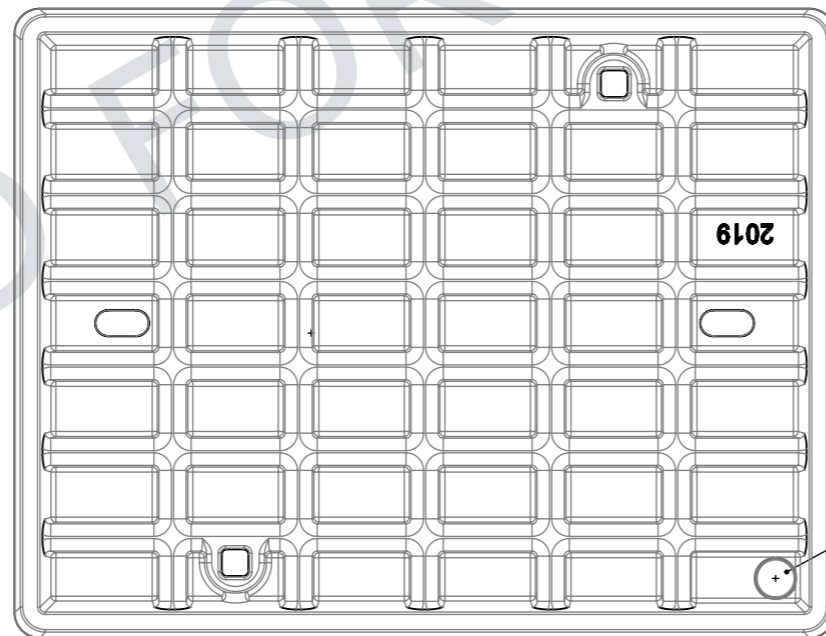
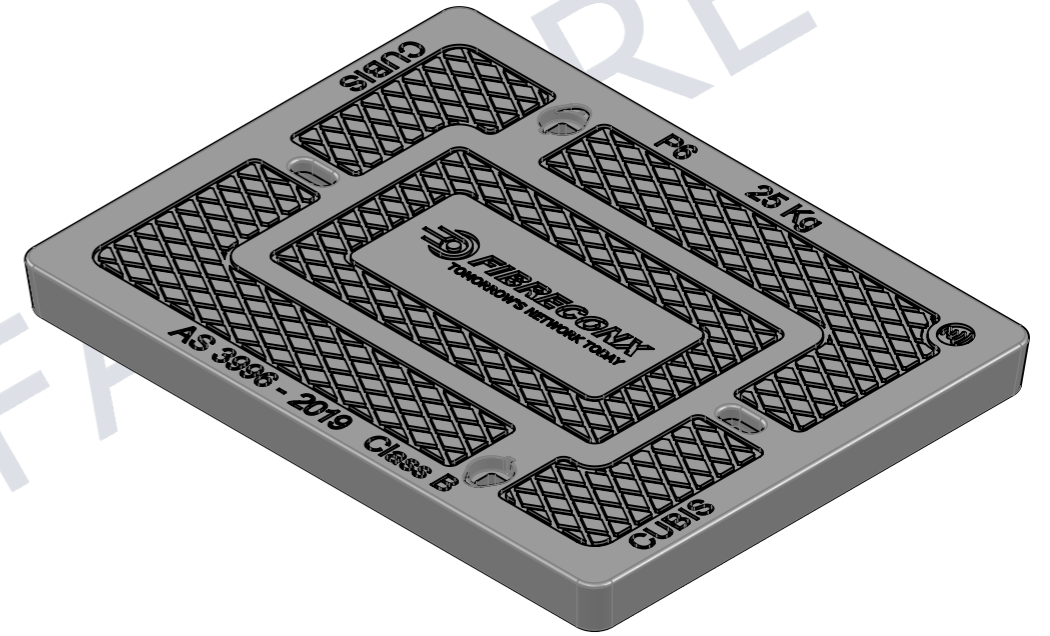
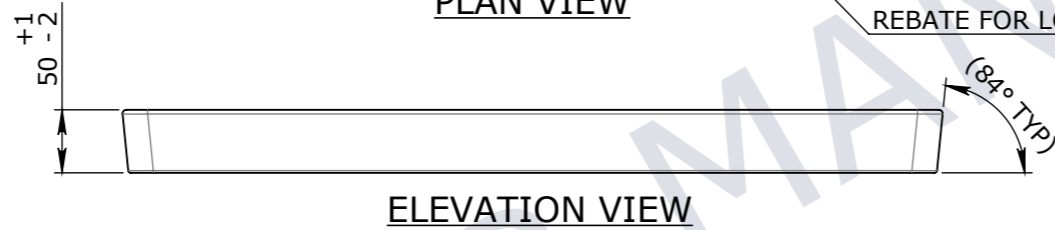
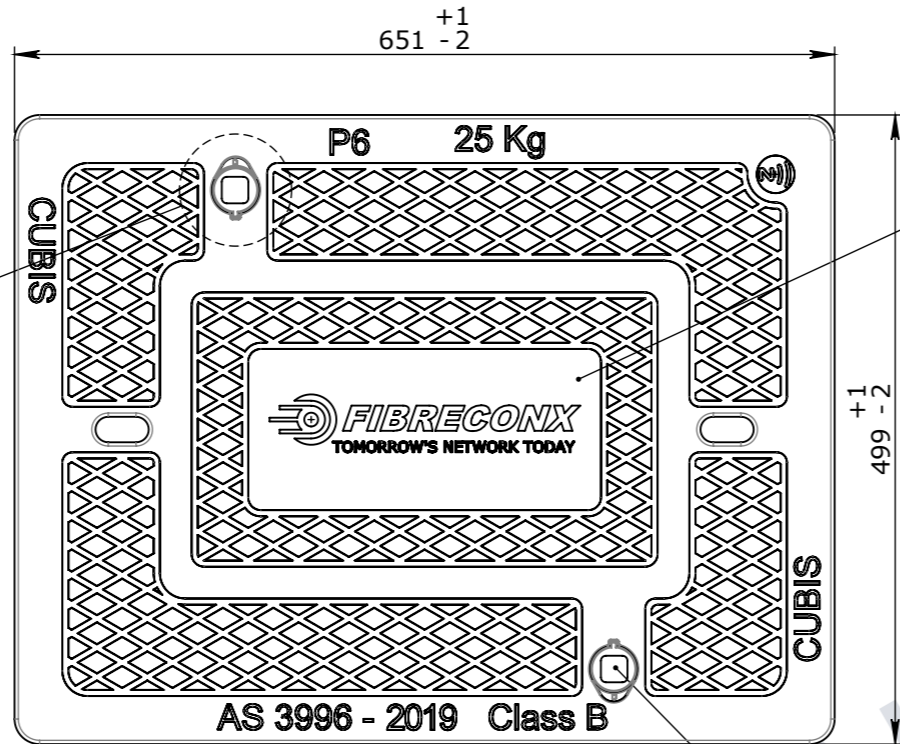
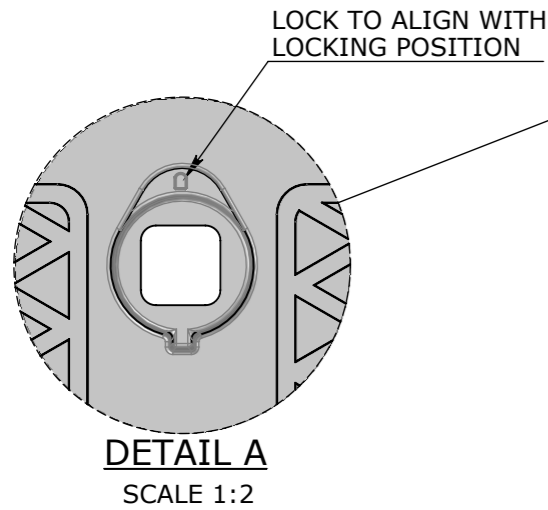


**PRODUCT NOTE:**

1. MATERIAL - STEEL REINFORCED (BMC) BULK MOULDING COMPOUND
2. COLOUR - CONCRETE GREY (PMS 414)



UNCONTROLLED DOCUMENT WHEN PRINTED

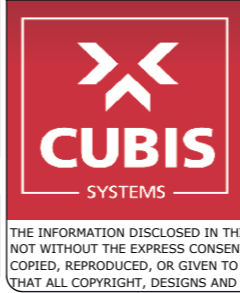
1. MATERIAL SPECIFICATIONS UNO SECTIONS & FLATS - AS 3679 - GR 300+ PLATES AS 3678 - GR 250 SHS AS 1163 - GR 350	
2. WELDING TO COMPLY TO AS 1554.1 UNO	

GENERAL TOLERANCES				
NOMINAL SIZE	UP TO 150	ABOVE 150 UP TO 500	ABOVE 500	ANGULAR ∠ X.X±0°30'
TOL	±1.0	±2.0	±5.0	∠ X ± 1°

TOLERANCES - FABRICATION		
LINEAR X.XX ± 0.02	FACES SQUARE ⊥ 0.05/100	ANGULAR ∠ X.X ± 0°30' DIA. CONC WITHIN Ⓞ 0.05 TIR
LINEAR X.X ± 0.1	FACES PARALLEL// 0.05/100	ANGULAR ∠ X ± 1° EDGES CHAMFERED 1.0 x 45°
LINEAR X. ± 0.25	FACES FLAT ▽ 0.05/100	GENERAL SURFACE FINISH Ra 3.2

REVISION CONTROL			
Rev	DESCRIPTION	DATE:	BY:

CHK / APPR: <b>CHANAKA ABEYSINGHE</b>	DATE:
RPEQ DOCUMENT #:	
WEIGHT:	<b>25Kg</b>
MATERIAL:	<b>BMC</b>
SURFACE TREATMENT:	



HEAD OFFICE:  
CARNINGHAM ROAD  
BALLARAT, VIC 3351  
(03) 5335 8741

ENGINEERING & DEVELOPMENT:  
2 STRADBROKE STREET  
HEATHWOOD, QLD 4110  
(07) 3714 0444

PROJECT DESCRIPTION: <b>CUBIS SYSTEMS AUSTRALIA CATELOGUE PRODUCTS</b>				
DRAWING NAME: <b>FIBRECONX COMPOSIT COVER</b>				
DRAWN TO AS 1100 DO NOT SCALE FROM SHEET	DRAWING No: <b>50203549</b>	REV: <b>0</b>		
SHEET: <b>A3</b>	PAGE: <b>1/1</b>	SCALE UNO: <b>1:5</b>	DRAFTED DATE: <b>10/03/2020</b>	DRAFTED BY: <b>C.ABEYSINGHE</b>