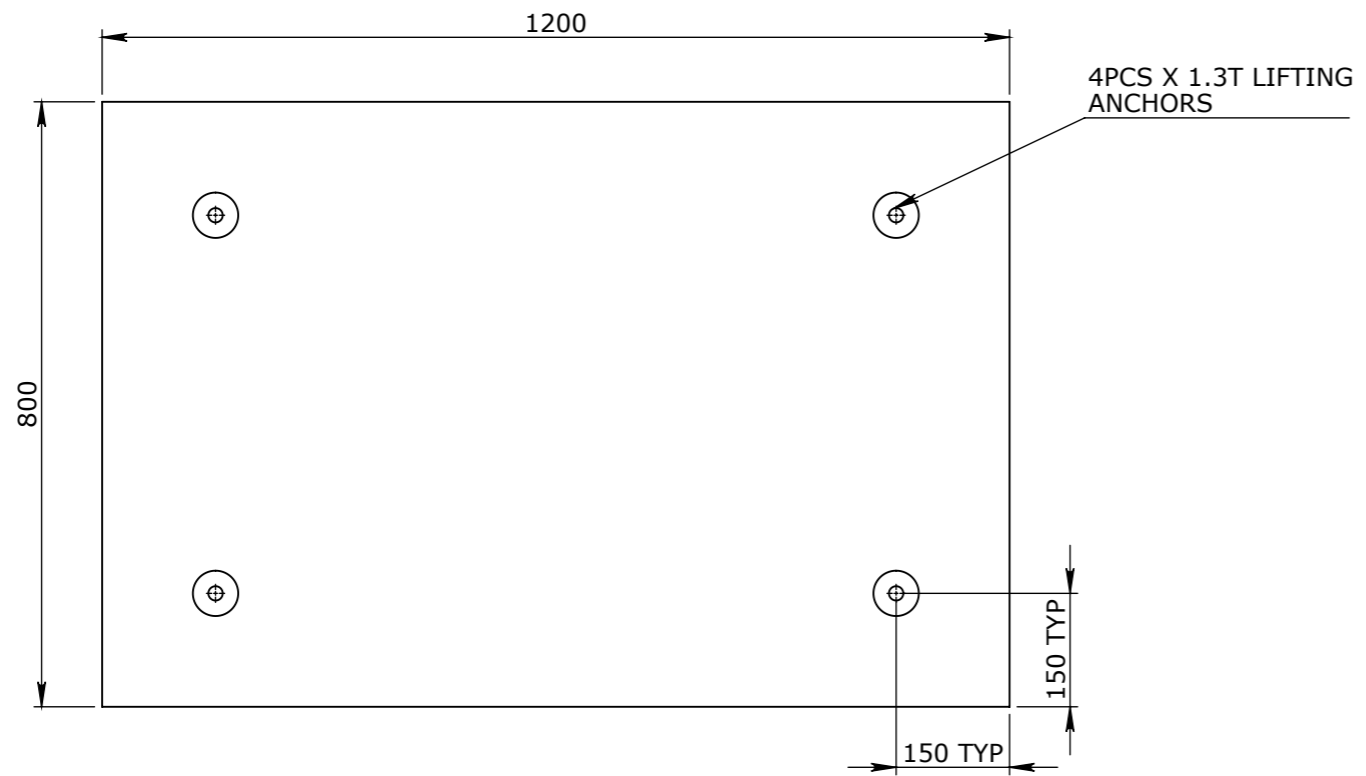


CONCRETE NOTE:

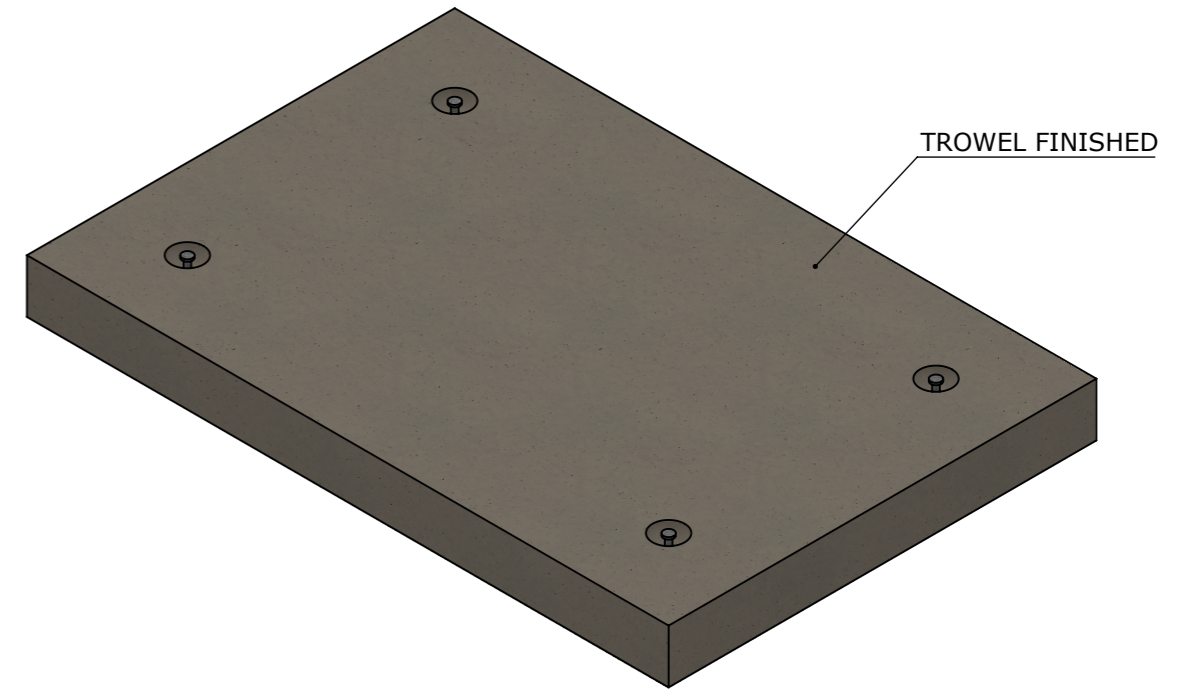
1. REFER TO GENERAL TOLERANCES UNO
2. GRADE OF CONCRETE - CONCRETE 50MPA
3. ALL LIFTING POINTS TO BE USED WHEN LIFTING
4. MINIMUM STRENGTH OF CONCRETE SHALL BE 25MPA AT THE TIME OF LIFTING
5. REFER TO CUBIS SYSTEMS_PRECAST INSTALLATION GUIDE_2019 FOR INSTALLATION DETAILS
6. REFER TO ANCON LIFTING ARRANGEMENT PLAN

BOM:50201512_

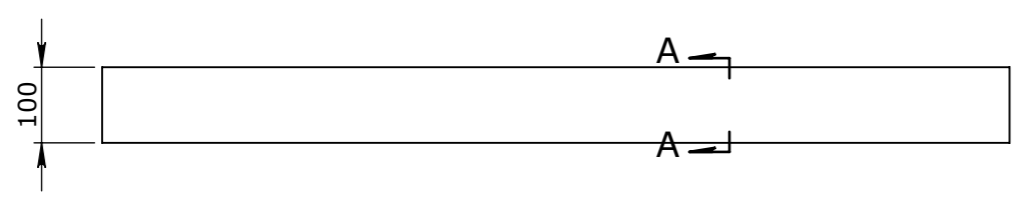
ITEM #	QTY.	PART #	DESCRIPTION	MATERIAL	VOLUME
1	1	50201266	CONCRETE 50MPA	CONCRETE 50MPa	0.1
2	4	50201274	FOOT ANCHOR ZP 1.3Tx65mm	MS GR-250 GALV	0



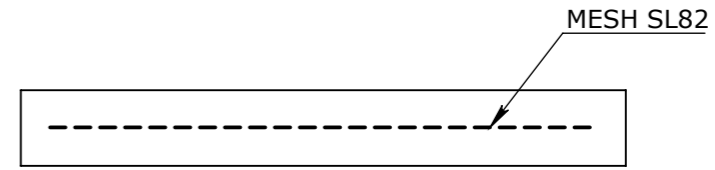
PLAN VIEW



ISOMETRIC VIEW



ELEVATION VIEW



SECTION A-A

UNCONTROLLED DOCUMENT WHEN PRINTED

ISSUED FOR CONSTRUCTION

- TOLERANCE NOTES:**
1. CONCRETE TOLERANCES TO BE INCONJUNCTION / ACCORDANCE WITH AS3600 - CONCRETE STRUCTURES
 2. WHEN A BROOM FINISH IS REQUIRED THE GENERAL TOLERANCE SUPERCEDES THE FLATNESS TOLERANCE
 3. WALL THICKNESS - DIMENSION AS NOTED IS MINIMUM THICKNESS ONLY
 4. CONCRETE GRADE - 40MPA UNLESS NOTED OTHERWISE
 5. DIMENSIONS ARE NOT INCLUSIVE OF SEALANTS OF JOINTS
 6. SURFACE FINISH - CLASS 4 (AS3610.1)

Rev	DESCRIPTION	DATE	BY	APPROVED
3				
2				
1				

GENERAL TOLERANCES		REVISION CONTROL	
NOMINAL:	UP TO 1000mm	1M AND ABOVE	FLATNESS: (NOT INCLUDING BROOME FINISH)
TOLERANCE:	±5mm	1mm IN 200mm UP TO A MAXIMUM OF 20mm	±4mm PER 1M WIDTH IN 1M LENGTH

CHK / APPR:	
DATE:	
RPEQ DOCUMENT #:	
WEIGHT:	234.7Kg
MATERIAL:	CONCRETE 50MPA
IRF REF:	

Infrastructure Products Australia
A CRH COMPANY

HEAD OFFICE: 1 REEVES COURT, BREAKWATER, VIC 3219, 1800 065 356

ENGINEERING & DEVELOPMENT: 91 STRADBROKE STREET, HEATHWOOD, QLD 4110, (07) 3714 0444

DRAFTED DATE:	5/09/2022
DRAFTED BY:	MLEE
DATE LAST SAVED:	5/09/2022
LAST SAVED BY:	MLEE

PART/PRODUCT #	50201512	QUOTE #		ORDER #	
REINFORCEMENT COMPUTATION		PIT #		ITEM TYPE	
CLIENT	CUBIS SYSTEMS/AUSPITS				
PROJECT DESC	CATALOGUE ITEM				
DRAWING NAME	FLOOR CONCRETE TO SUIT 1000x600 PIT				
DRAWING #	50201512	PAGE	1 / 1	SHEET SIZE	A3
SCALE	1:10	REV.	A		